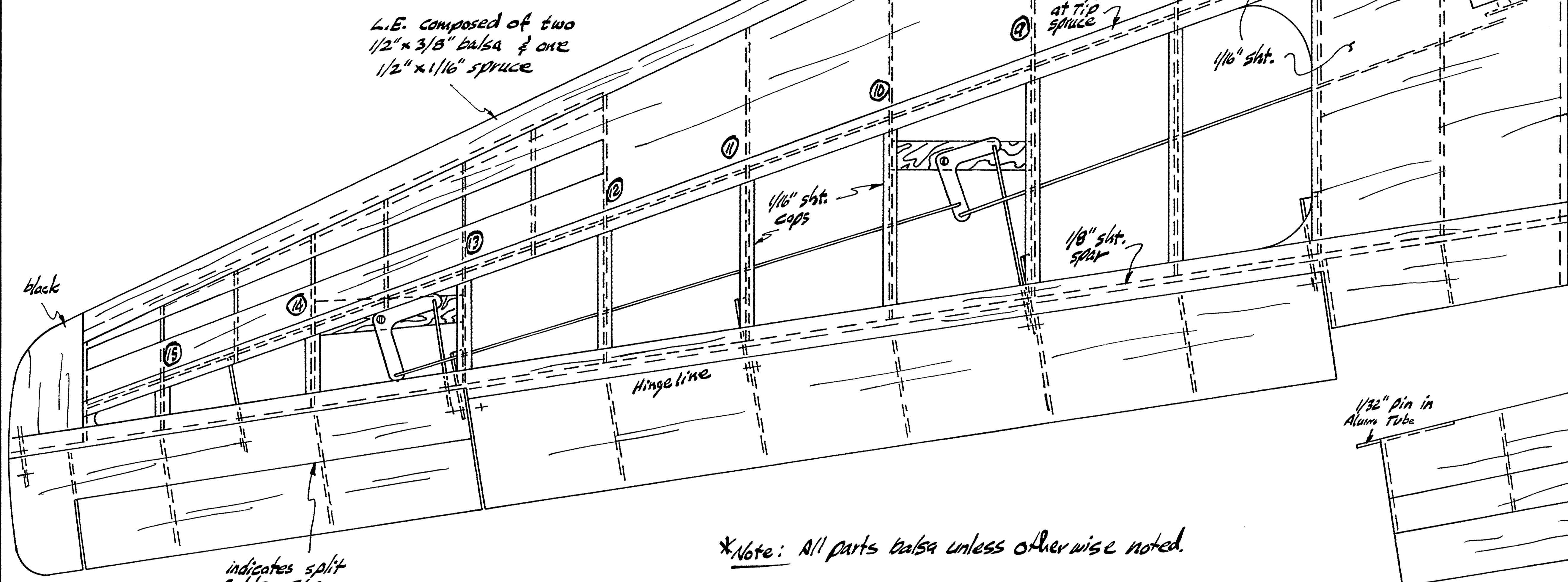


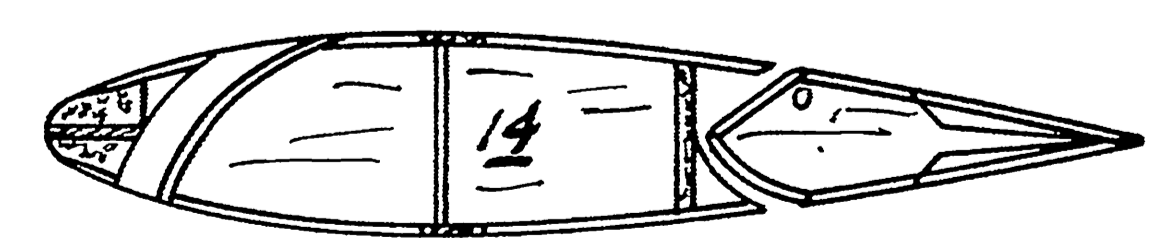
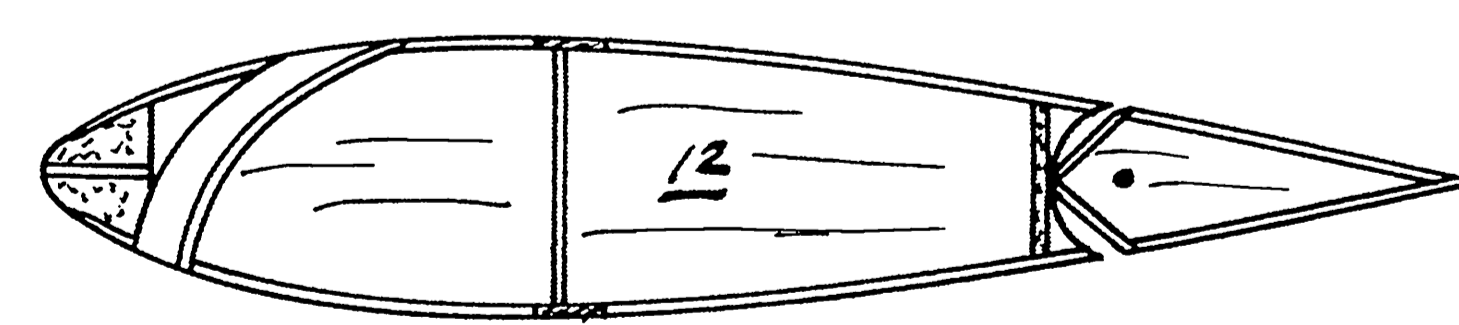
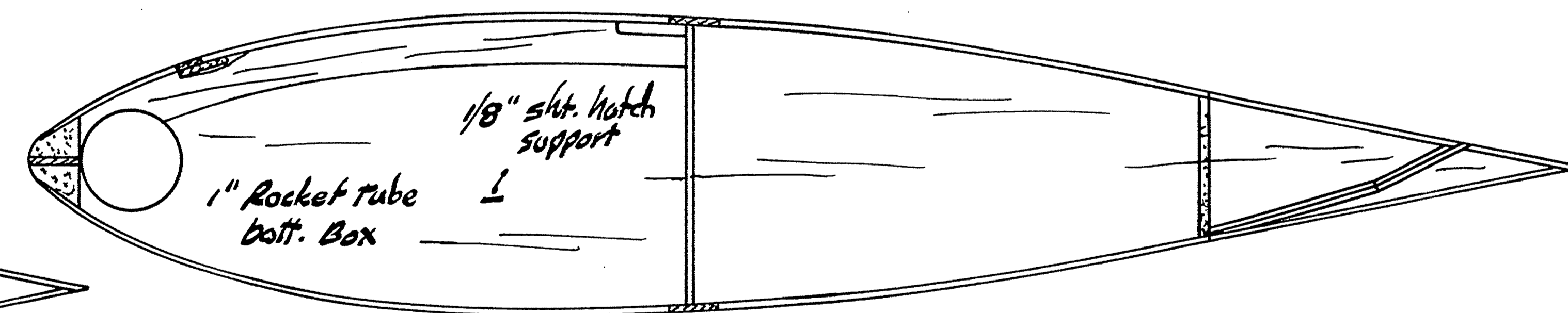
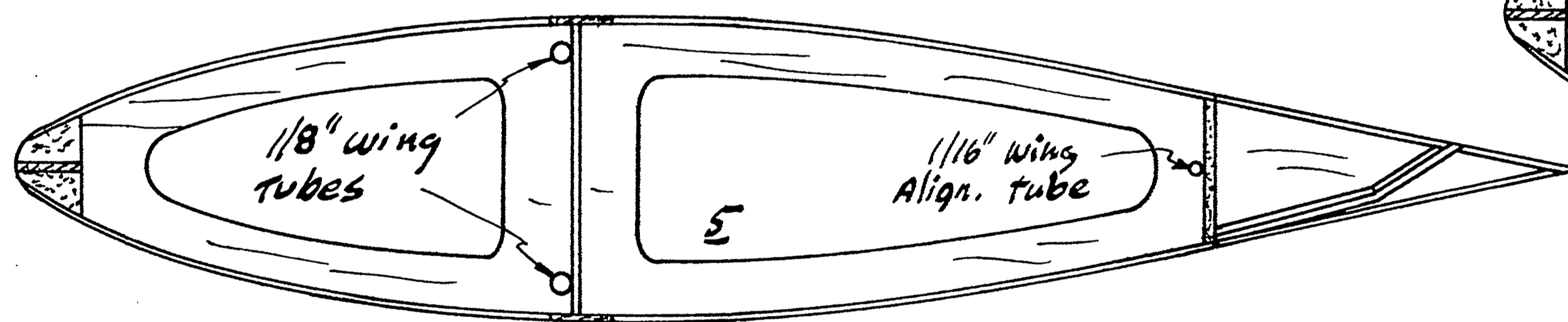
*Note: This View not to same scale.



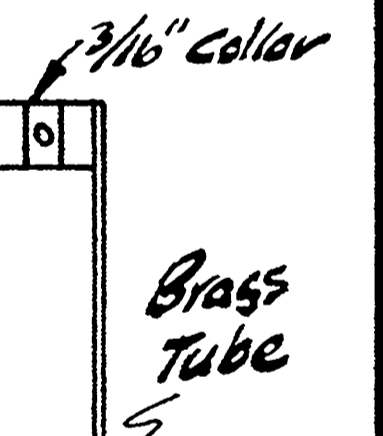
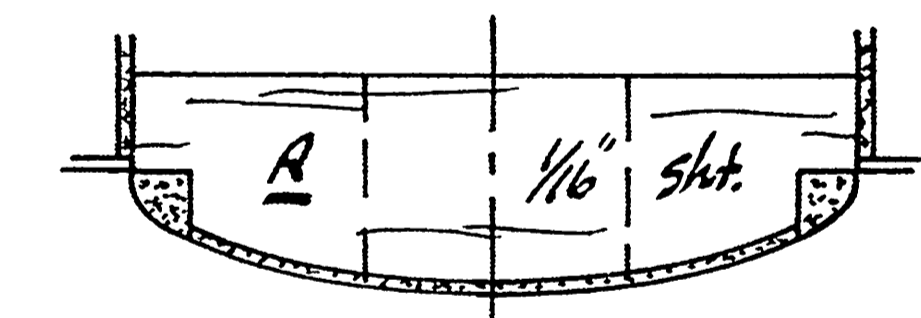
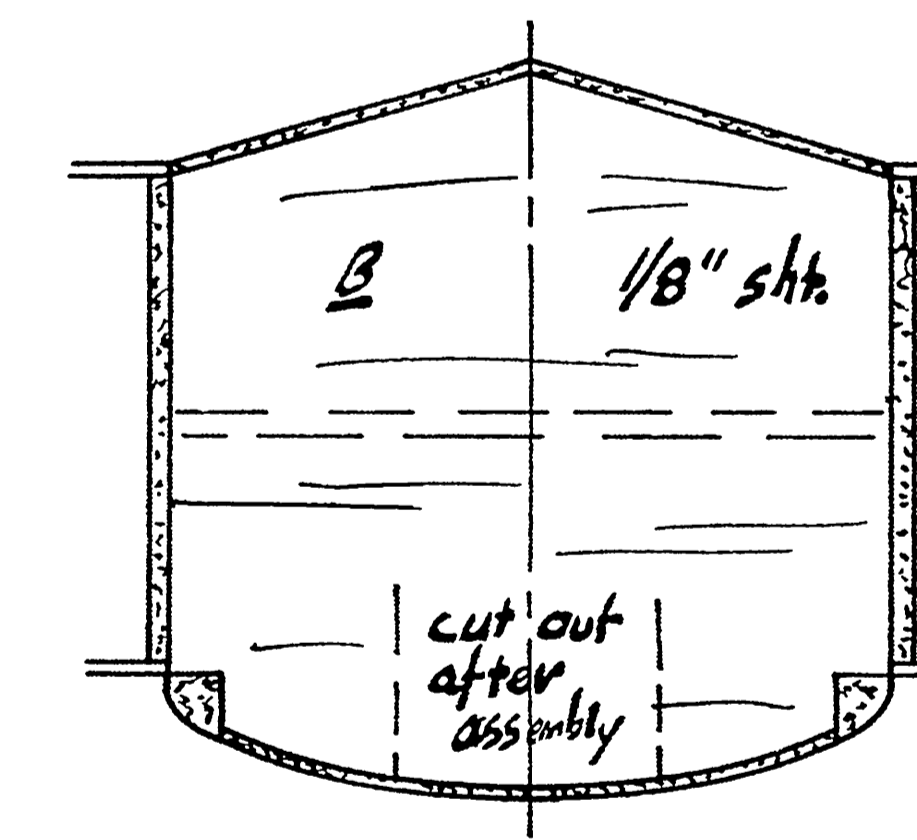
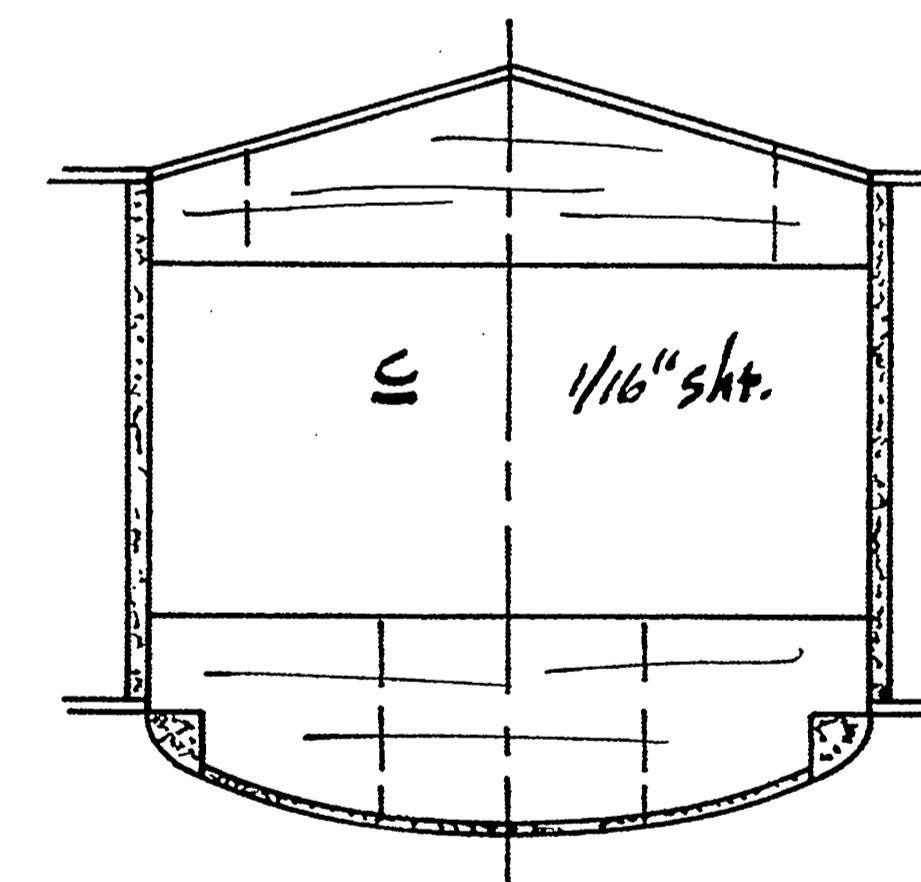
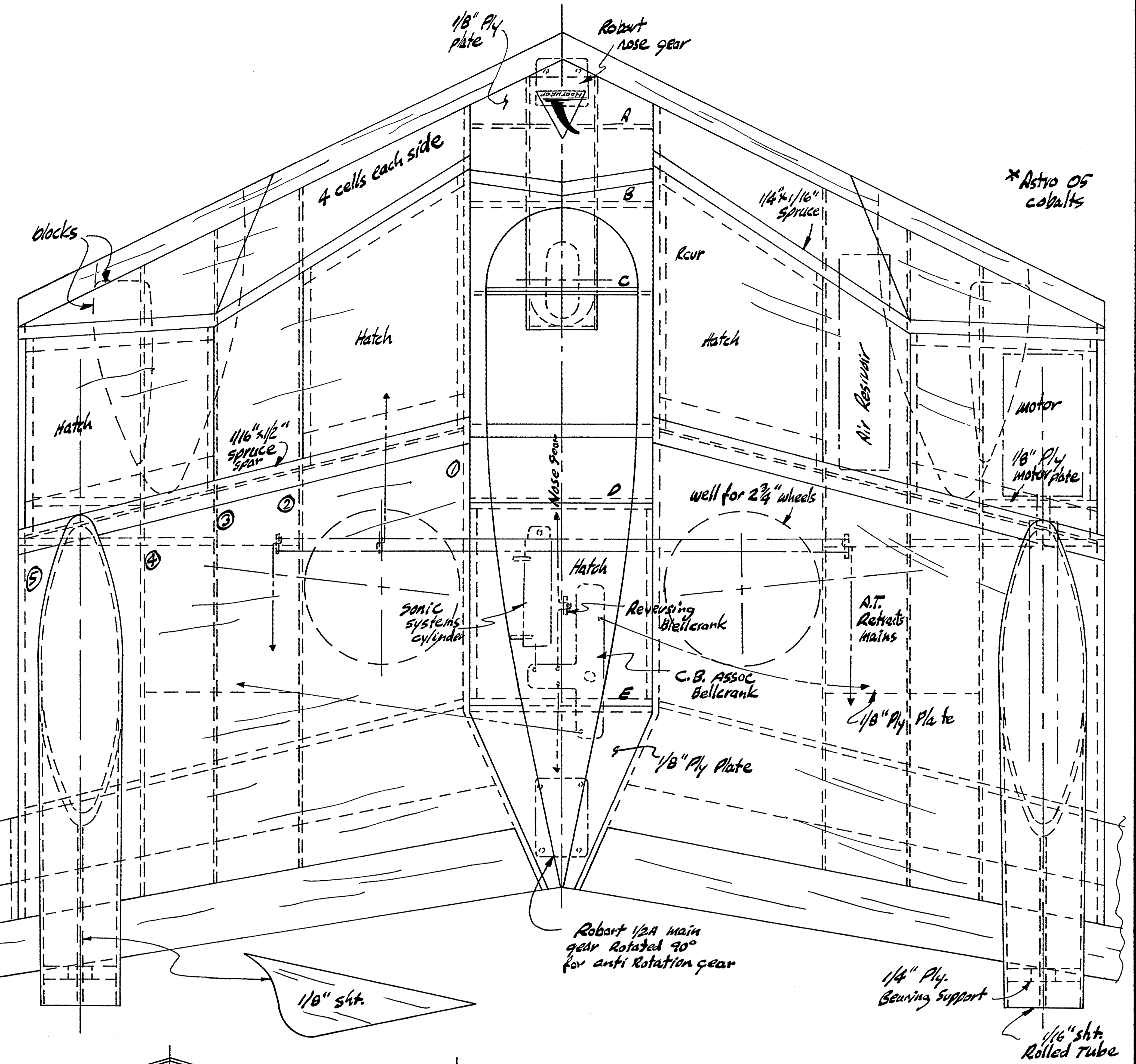
indicates split Rudder T&B

*Note: All parts balsa unless otherwise noted.

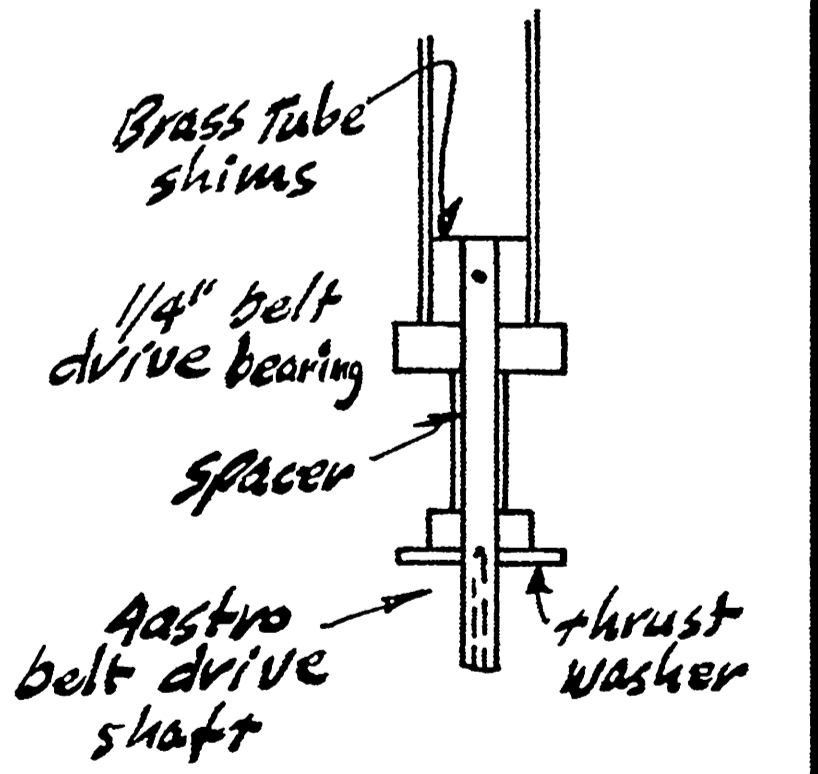
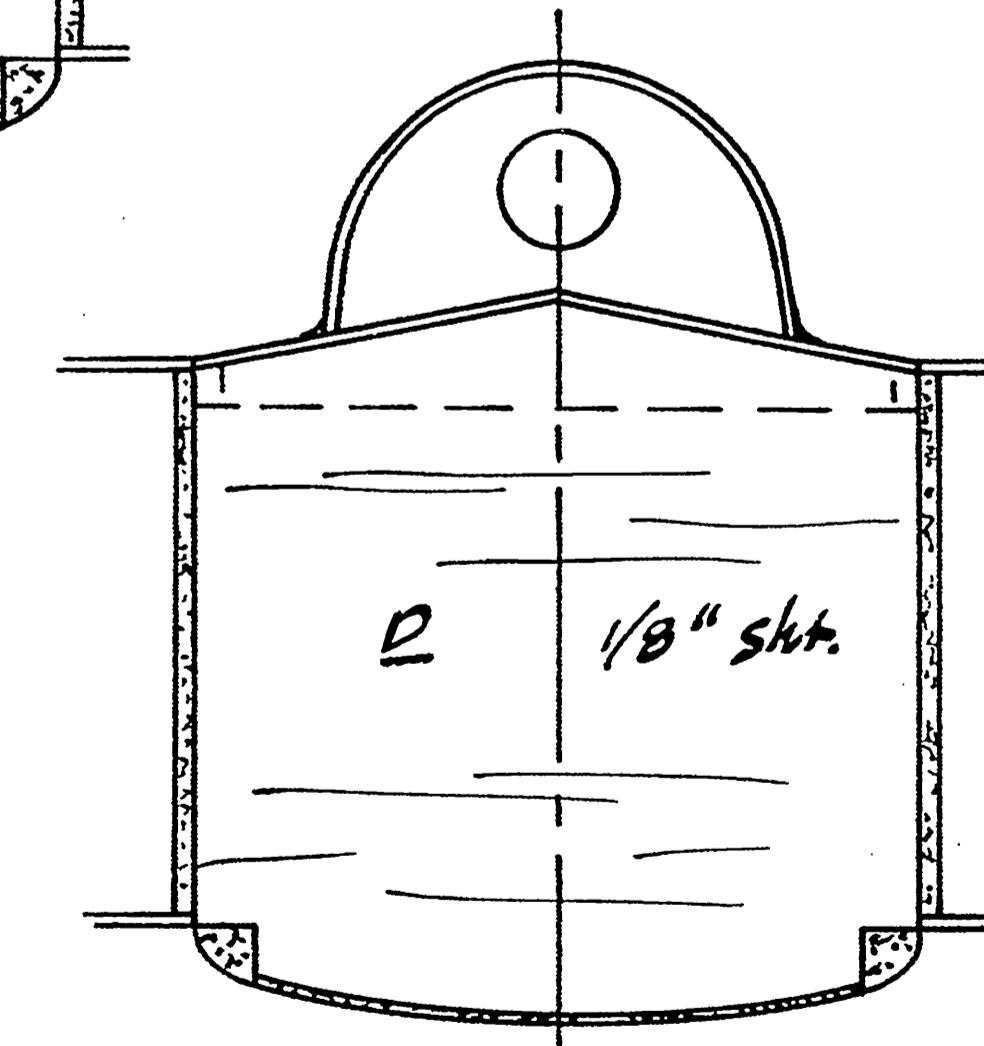
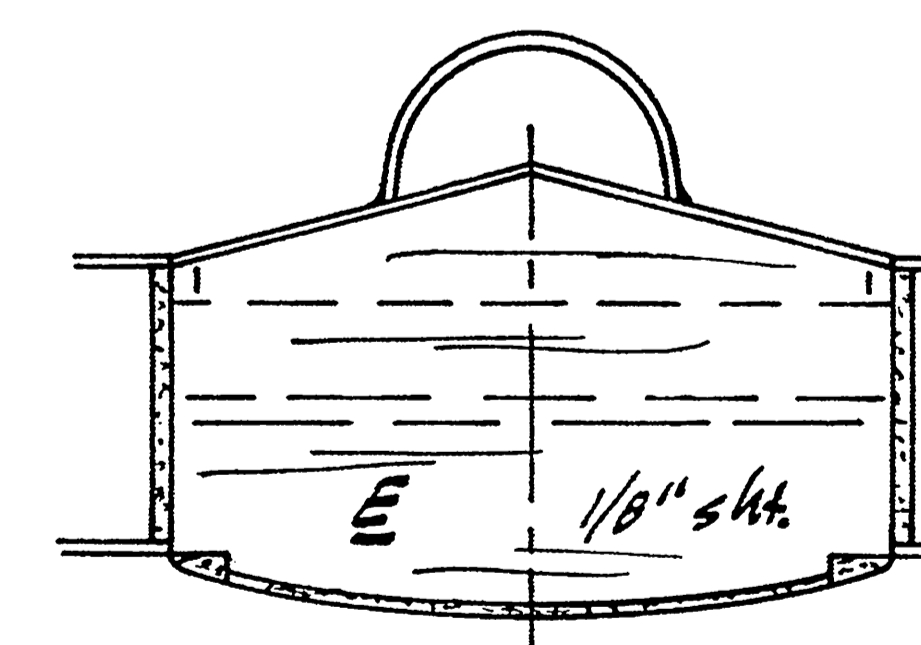
*1/16" Tip to 5^o washout each tip



Ribs 1-4 = 1/8" sht
5 = 3/32" sht & 1/32 Ply.
6-15 = 1/16" sht



*carefully align & solder assembly



7x4 props
1/4" Ace spinners

NORTHROP N9M-A

Designed by & Drawn
Bill Young
traced in ink at Redwood

IMPORTANT CONSTRUCTION NOTE: Because of the complexity of this model, these plans are limited in many of the building details. Construction is recommended for skilled scratch-builders only.

MODEL BUILDER magazine
621 West 138th St., Coon Rapids, MN 55433
Plan No: 883-O.I

