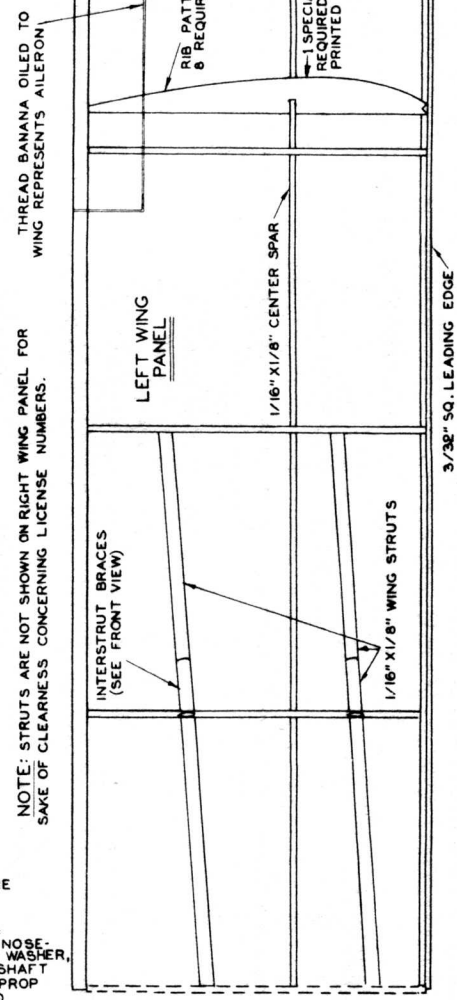
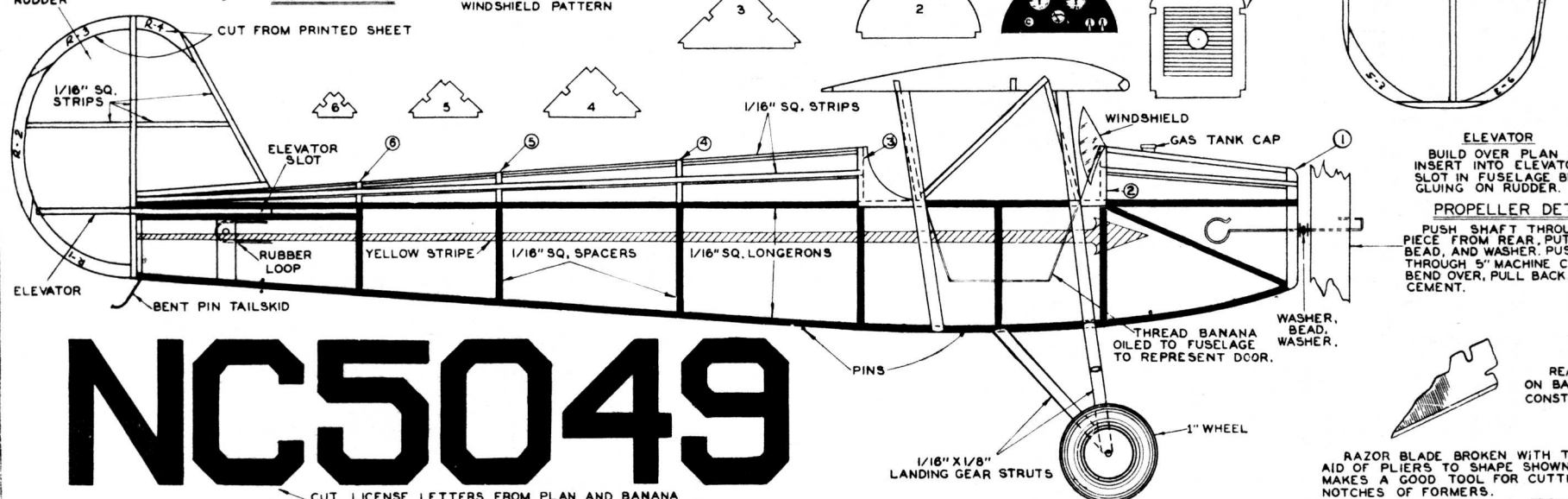
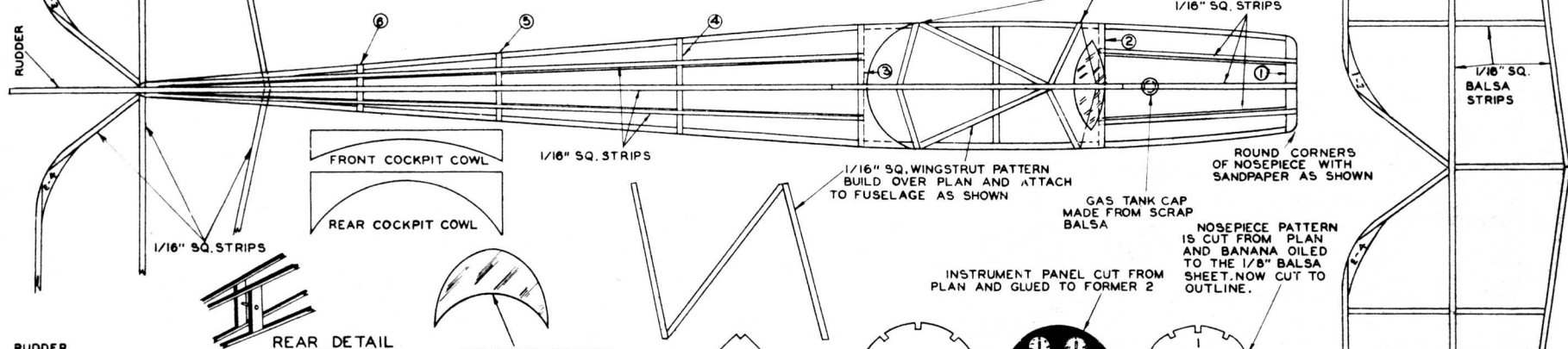
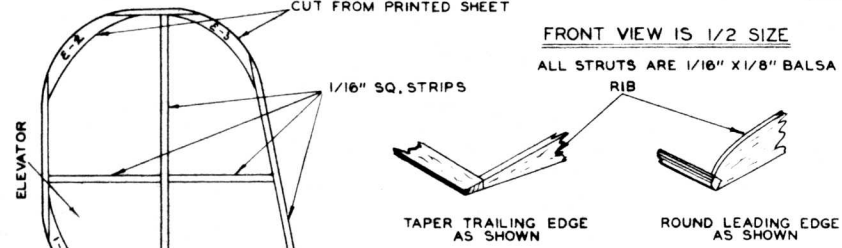
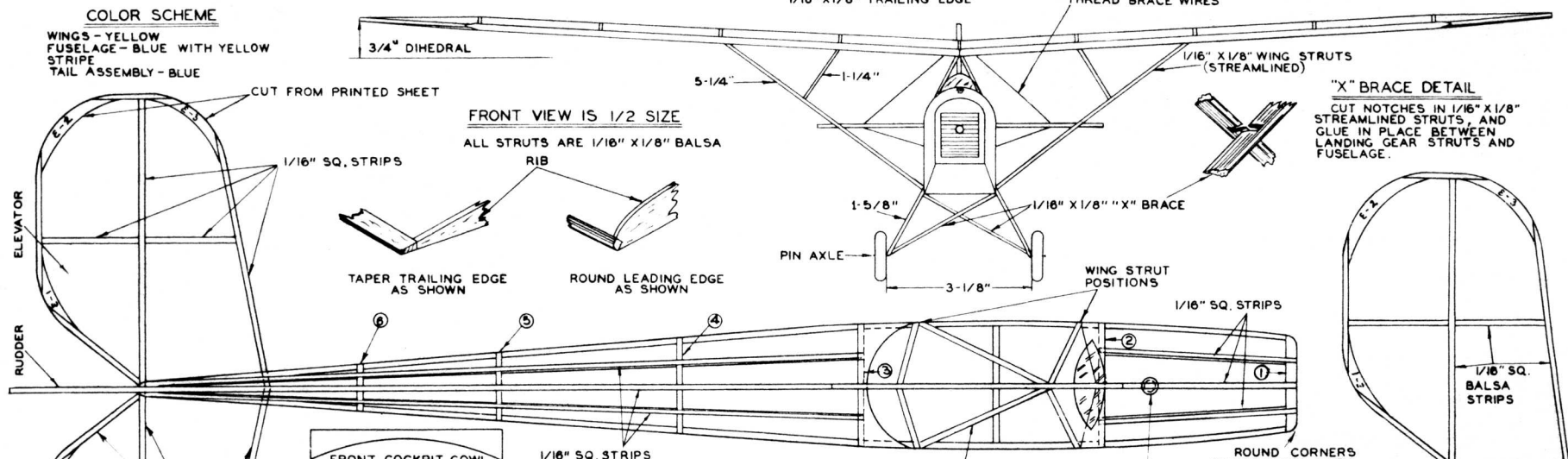


COLOR SCHEME
 WINGS - YELLOW
 FUSELAGE - BLUE WITH YELLOW STRIPE
 TAIL ASSEMBLY - BLUE



NC5049

CUT LICENSE LETTERS FROM PLAN AND BANANA OIL TO TOP OF WING

ELEVATOR
 BUILD OVER PLAN AND INSERT INTO ELEVATOR SLOT IN FUSELAGE BEFORE GLUING ON RUDDER.

PROPELLER DETAIL
 PUSH SHAFT THROUGH NOSEPIECE FROM REAR, PUT ON WASHER, BEAD, AND WASHER. PUSH SHAFT THROUGH 5" MACHINE CUT PROP BEND OVER, PULL BACK, AND CEMENT.

NOTE: AFTER THE TWO HALVES OF WING ARE CONSTRUCTED JOIN TOGETHER IN THE CENTER. BLOCK THE TIPS UP 3/4" AND CEMENT THE SPECIAL CENTER RIB IN PLACE.

READ INSTRUCTIONS ON BACK OF BOX BEFORE CONSTRUCTING MODEL.

AMERICAN EAGLET

WINGSPAN-25" LENGTH-13-1/2"



KIT NO. A-134

AMERICAN MODEL CRAFT CO.

RAZOR BLADE BROKEN WITH THE AID OF PLIERS TO SHAPE SHOWN. MAKES A GOOD TOOL FOR CUTTING NOTCHES OF FORMERS.



See drawing - 10/10/30 Hank P. 10/10/30