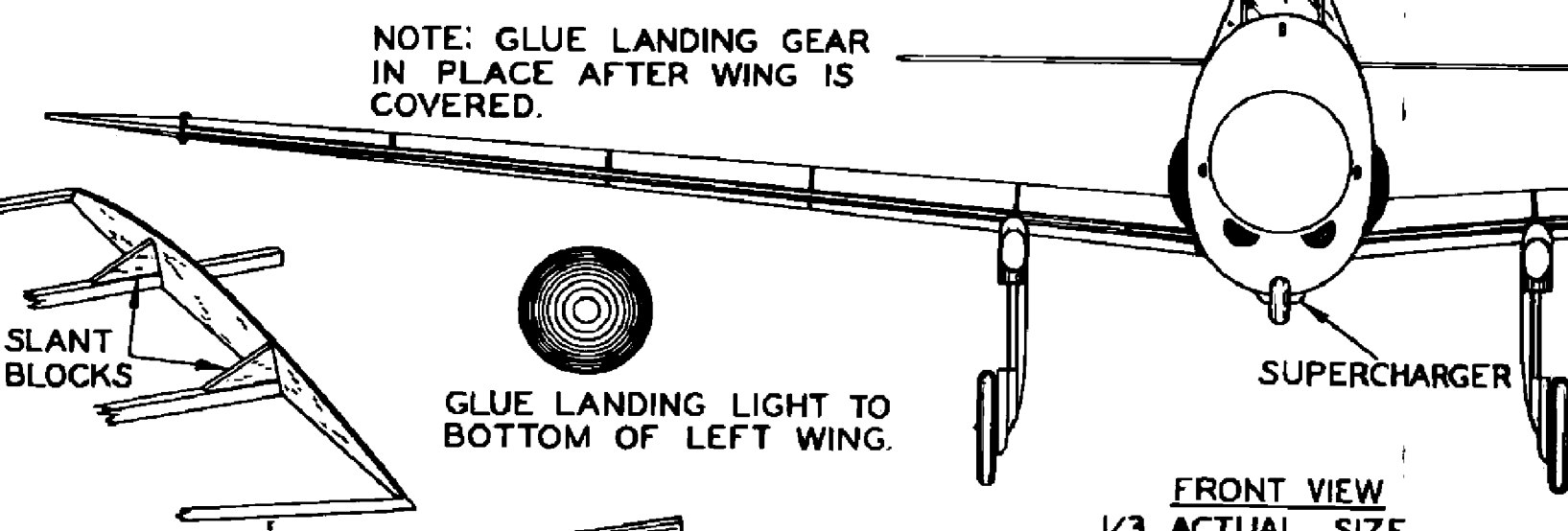


# U.S. ARMY



**CURTISS PURSUIT**  
 WINGSPAN - 37-1/4"    LENGTH - 27-1/2"  
 DESIGNED BY *Howard Chandler Christy*    KIT NO. - L7