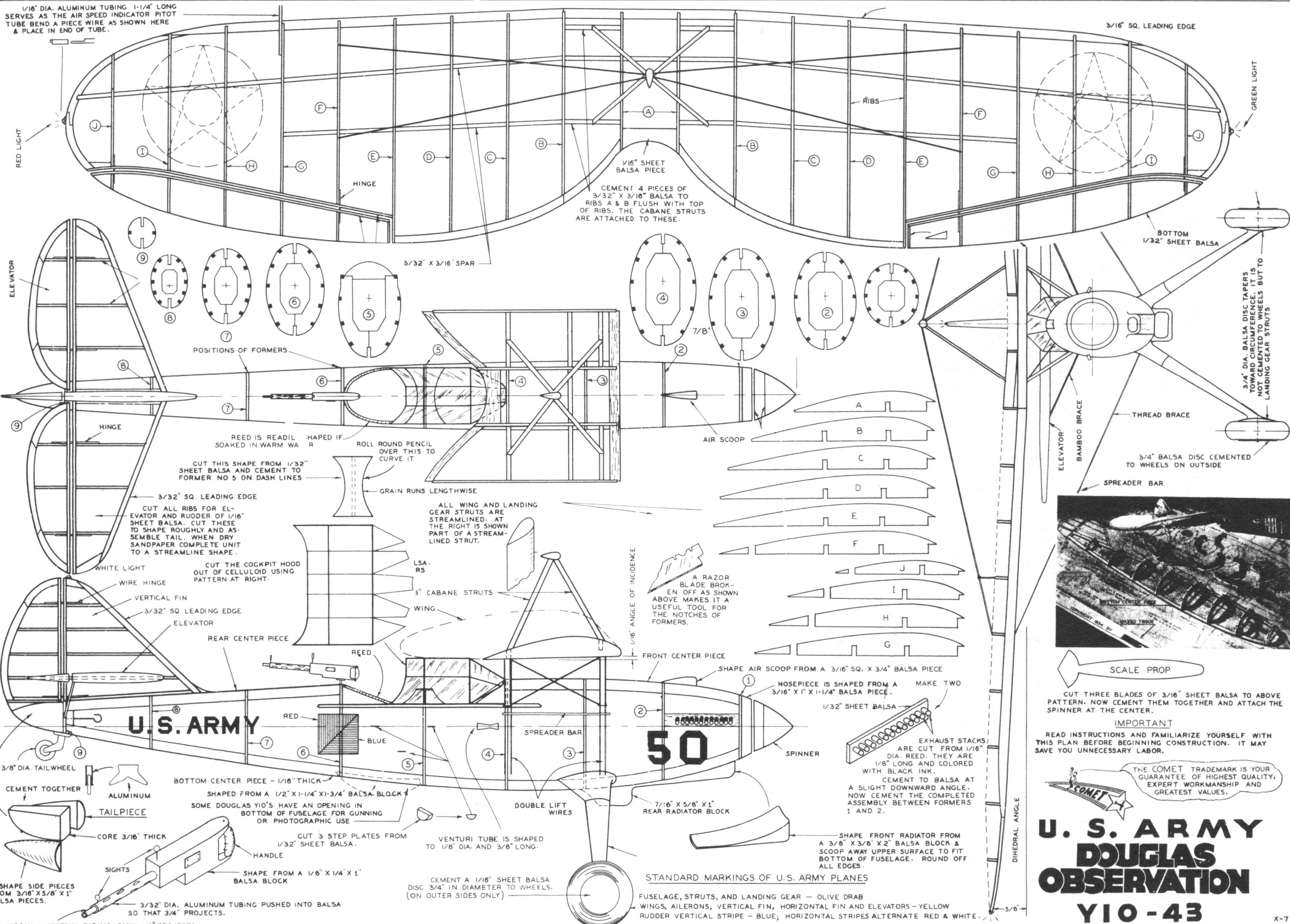
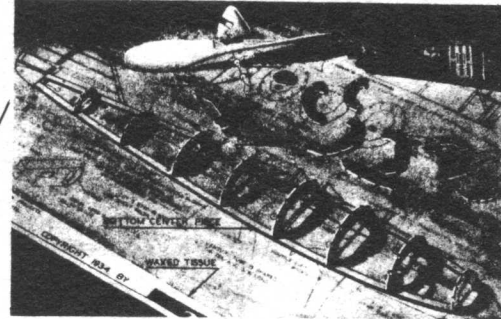
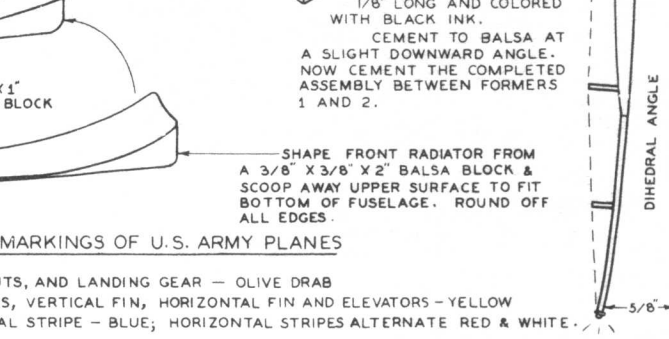
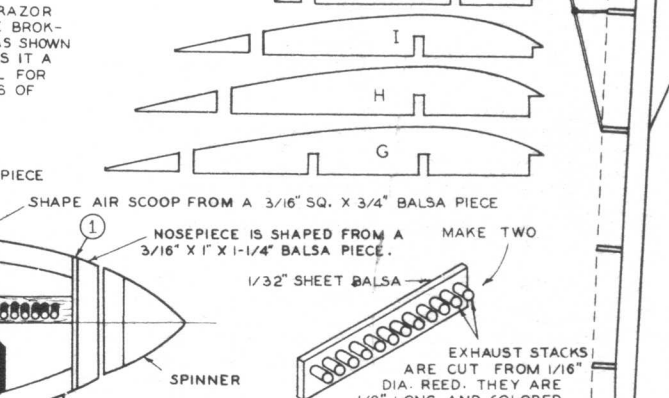
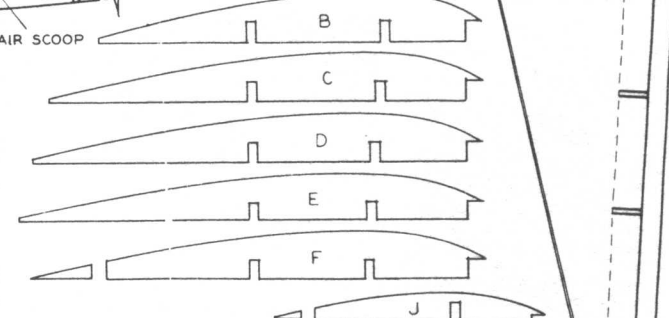
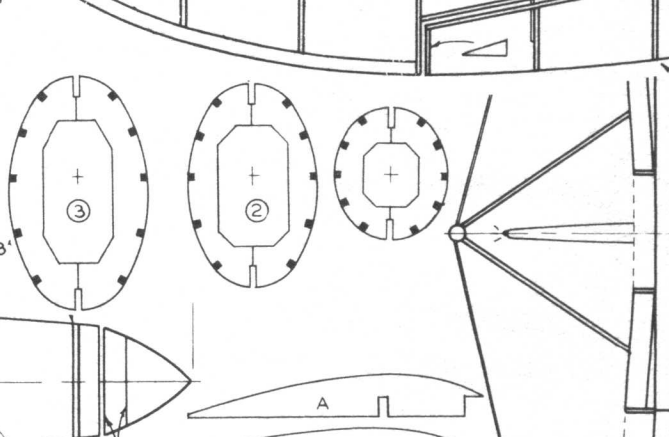
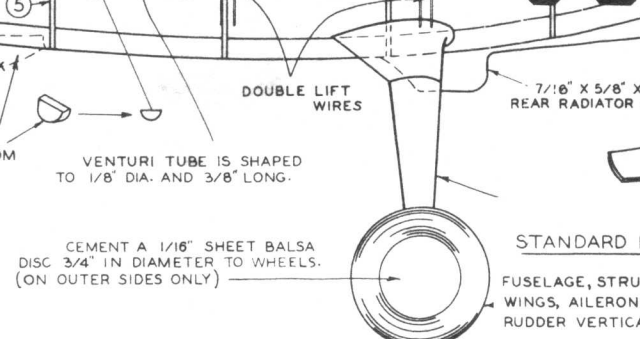
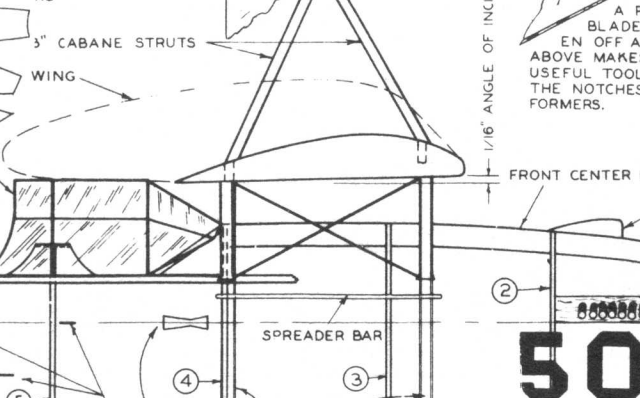
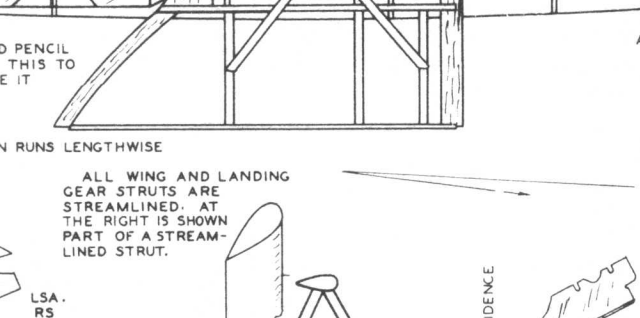
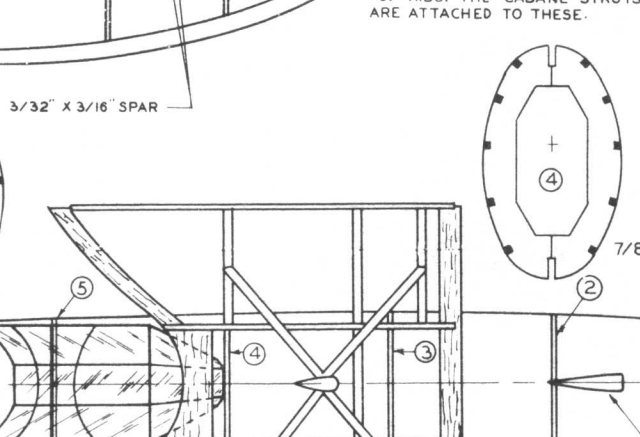
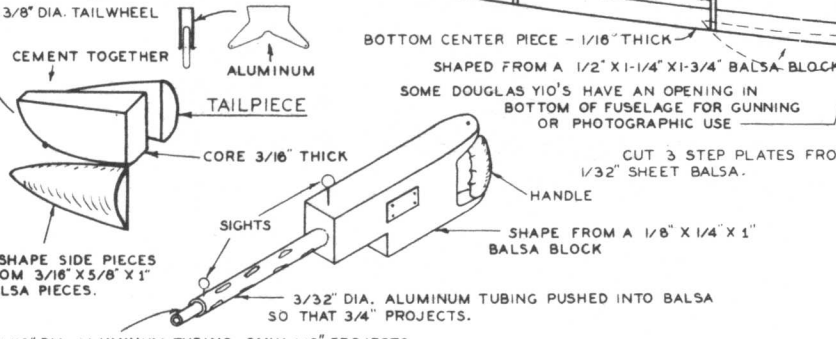
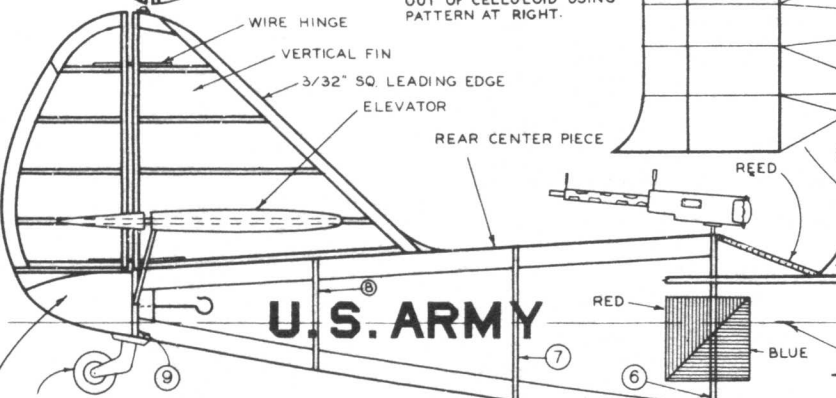
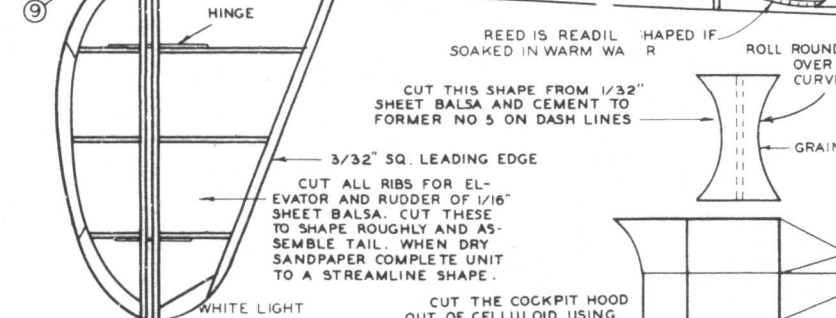
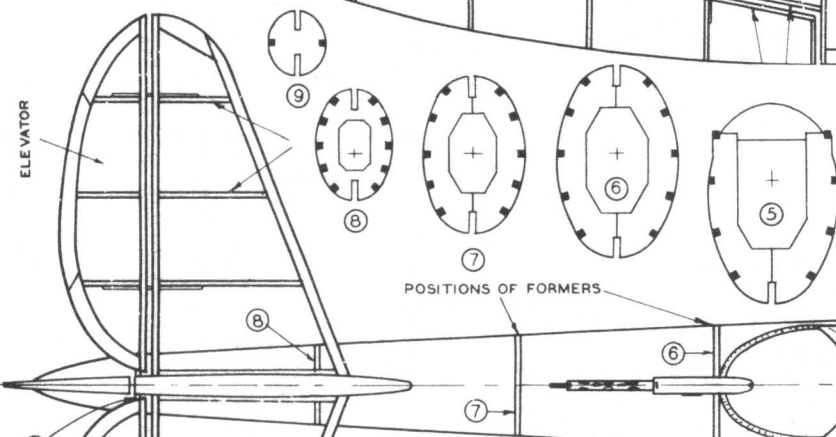


1/16" DIA. ALUMINUM TUBING 1-1/4" LONG SERVES AS THE AIR SPEED INDICATOR PITOT TUBE BEND A PIECE WIRE AS SHOWN HERE & PLACE IN END OF TUBE.



3/16" SQ. LEADING EDGE

CEMENT 4 PIECES OF 3/32" X 3/16" Balsa TO RIBS A & B FLUSH WITH TOP OF RIBS. THE CABANE STRUTS ARE ATTACHED TO THESE.



SCALE PROP.

CUT THREE BLADES OF 3/16" SHEET Balsa TO ABOVE PATTERN. NOW CEMENT THEM TOGETHER AND ATTACH THE SPINNER AT THE CENTER.

IMPORTANT  
READ INSTRUCTIONS AND FAMILIARIZE YOURSELF WITH THIS PLAN BEFORE BEGINNING CONSTRUCTION. IT MAY SAVE YOU UNNECESSARY LABOR.

THE COMET TRADEMARK IS YOUR GUARANTEE OF HIGHEST QUALITY, EXPERT WORKMANSHIP AND GREATEST VALUES.

**U. S. ARMY**  
**DOUGLAS**  
**OBSERVATION**  
**Y10-43**