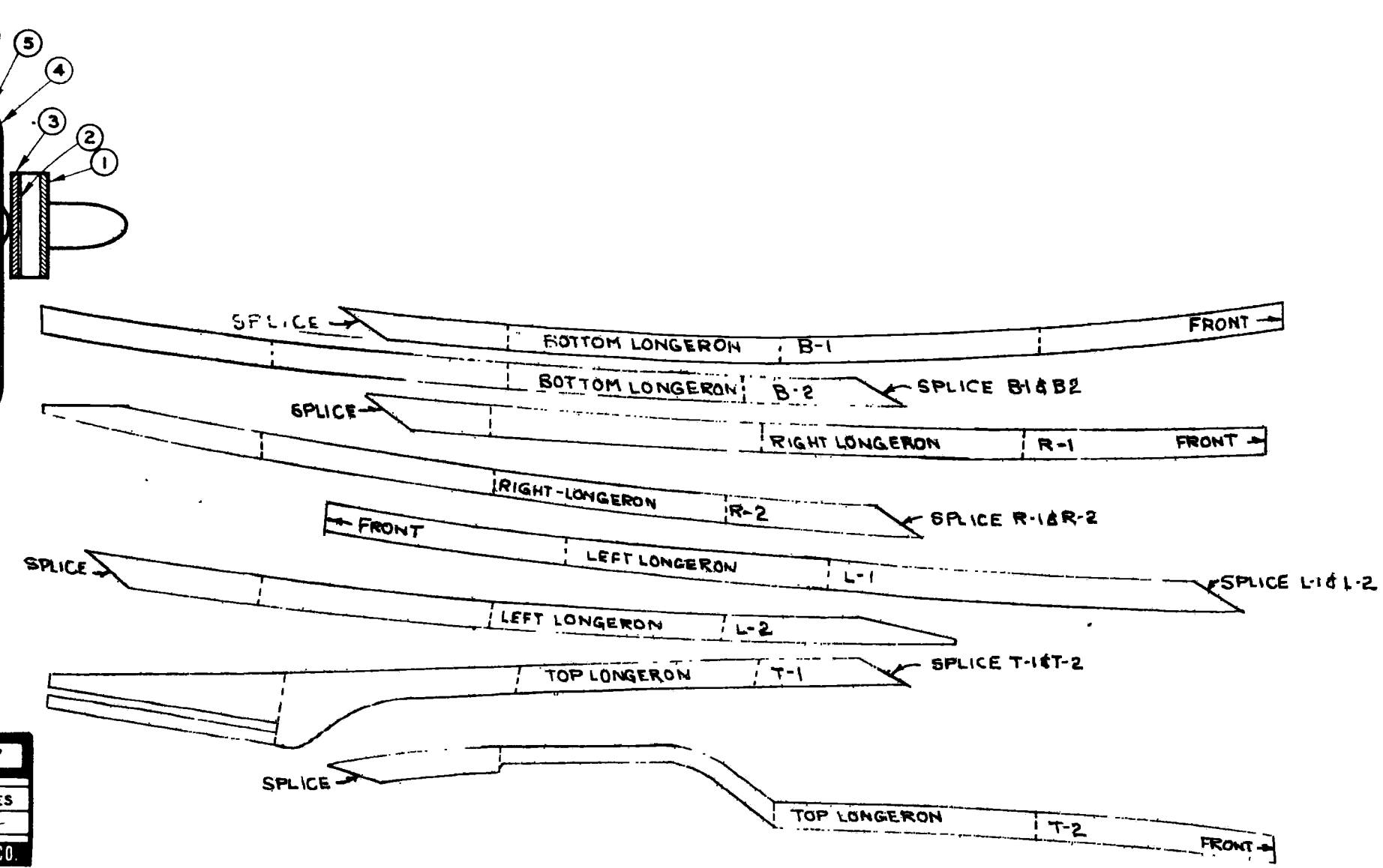
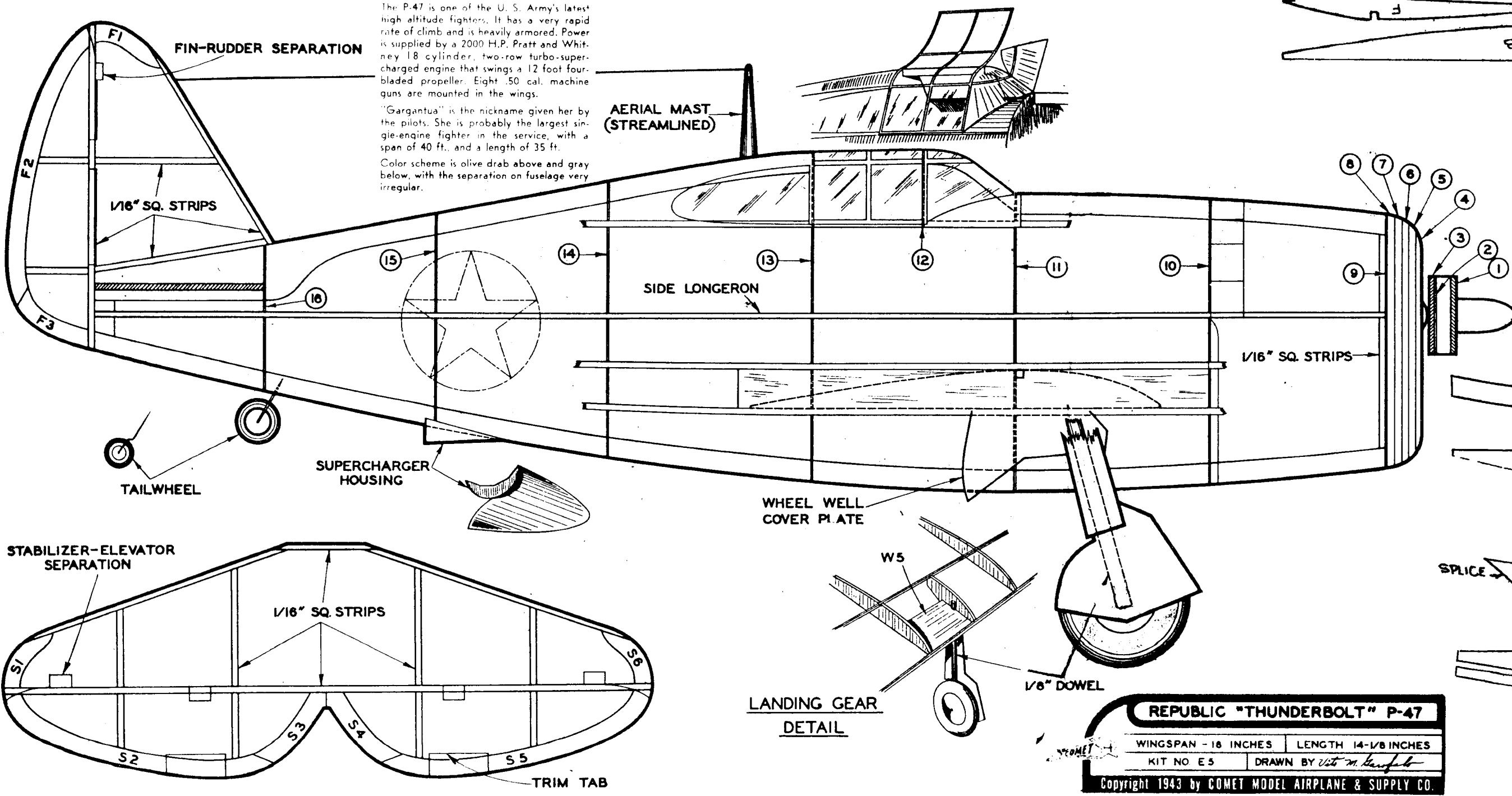


REPUBLIC "THUNDERBOLT"

The P-47 is one of the U. S. Army's latest high altitude fighters. It has a very rapid rate of climb and is heavily armored. Power is supplied by a 2000 H.P. Pratt and Whitney 18 cylinder, two-row turbo-supercharged engine that turns a 12 foot four-bladed propeller. Eight .50 cal. machine guns are mounted in the wings.

"Gargantua" is the nickname given her by the pilots. She is probably the largest single-engine fighter in the service, with a span of 40 ft., and a length of 35 ft.

Color scheme is olive drab above and gray below, with the separation on fuselage very irregular.



REPUBLIC "THUNDERBOLT" P-47

WINGSPAN - 18 INCHES	LENGTH 14-1/8 INCHES
KIT NO. E5	DRAWN BY <i>W. M. Bennett</i>

Copyright 1943 by COMET MODEL AIRPLANE & SUPPLY CO.