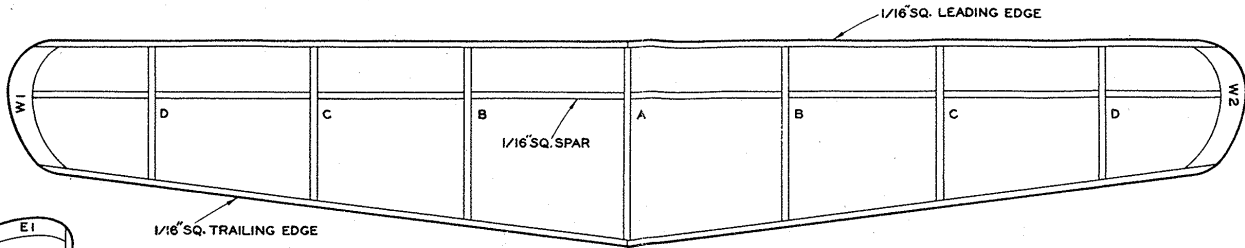
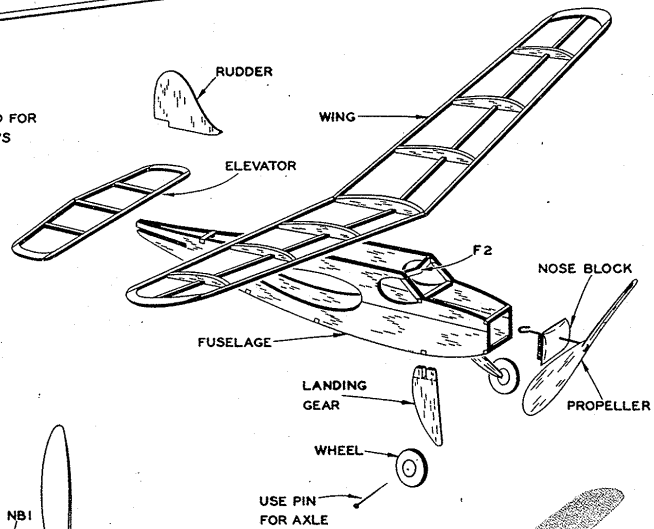
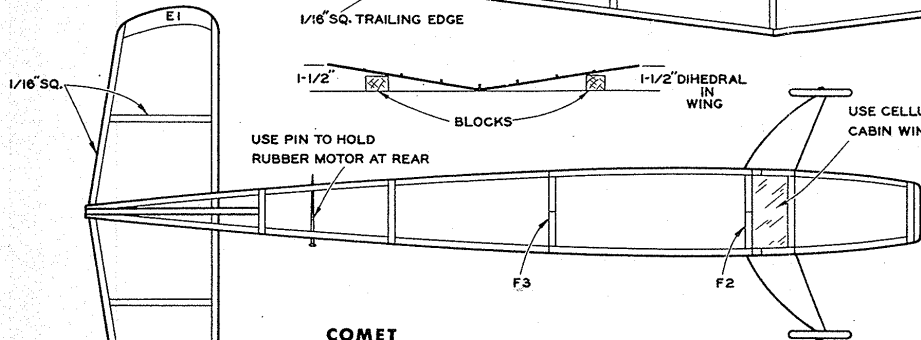


BUILD WING & ELEVATOR OVER PLAN. TO KEEP PARTS FROM STICKING TO PLAN PLACE WAX PAPER OVER IT.

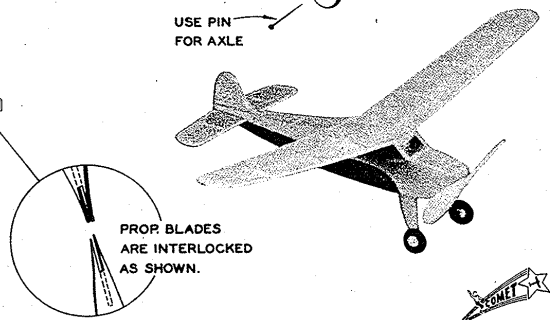
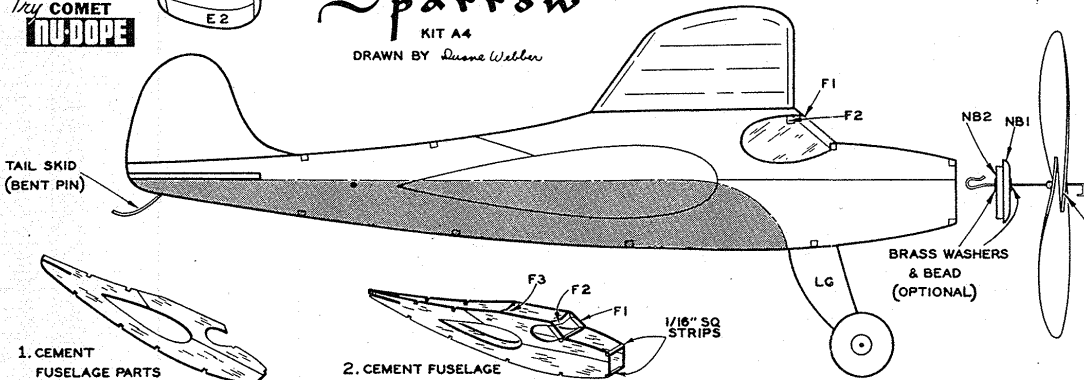


FLYING
IF MODEL STALLS IN FLIGHT
ADD WEIGHT TO NOSE (CLAY,
NAILS ETC.) IF MODEL DIVES
ADD WEIGHT TO TAIL.



COMET
Sparrow
KIT A4
DRAWN BY *Dianna Webber*

Try COMET
NUDOPE



1. CEMENT FUSELAGE PARTS TOGETHER

2. CEMENT FUSELAGE HALFS TOGETHER.

COPYRIGHT 1947 BY COMET MODEL HOBBYCRAFT INC. CHICAGO, ILL.

PART A4-1

