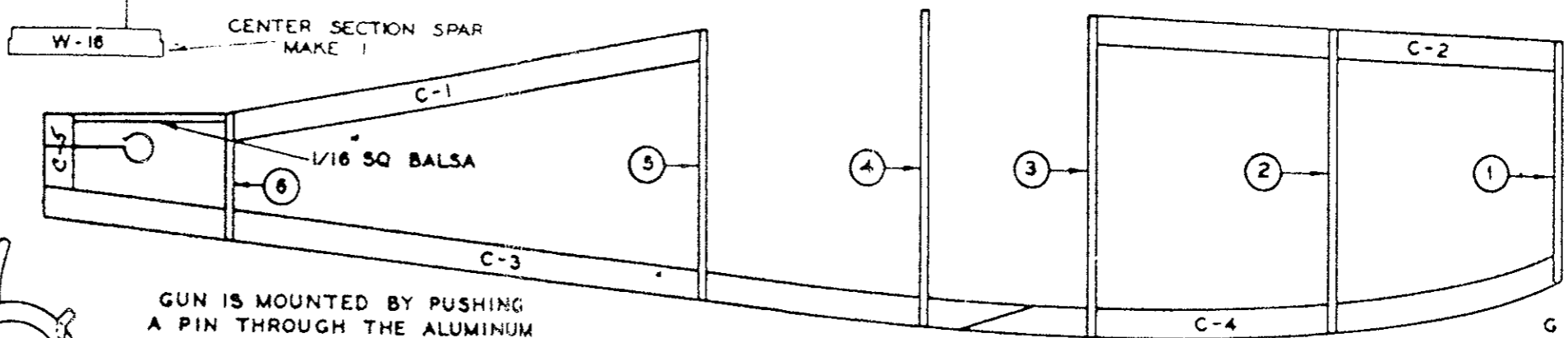


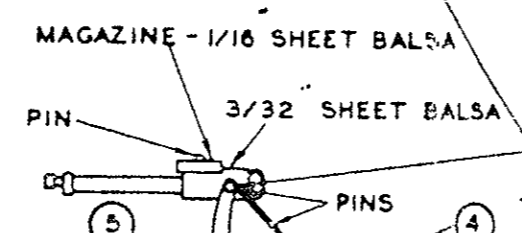
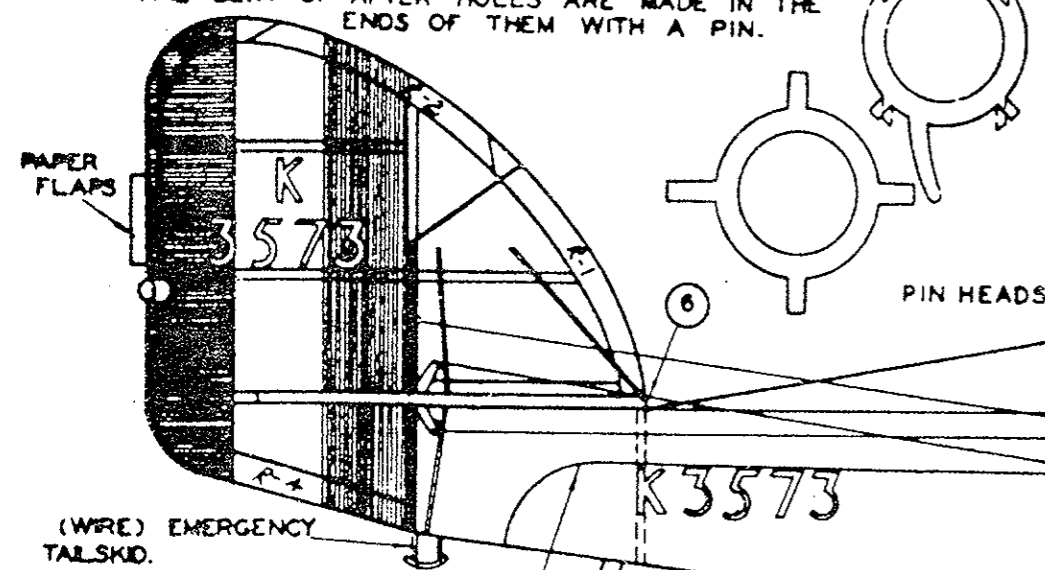
END OF THE LOWER WING SHOWN BY DOTTED LINES.



**MACHINE GUN MOUNTING**

THE UPPER SCARF RING IS PLACED ON TOP OF THE LOWER RING.  
 THE FOUR SMALL TABS ON THE UPPER RING ARE THEN BENT AROUND AND UNDER THE LOWER RING SO THE UPPER RING CAN SWIVEL EASILY ON THE LOWER ONE.  
 THE TWO LONG TABS ON THE UPPER RING ARE BENT UP AFTER HOLES ARE MADE IN THE ENDS OF THEM WITH A PIN.

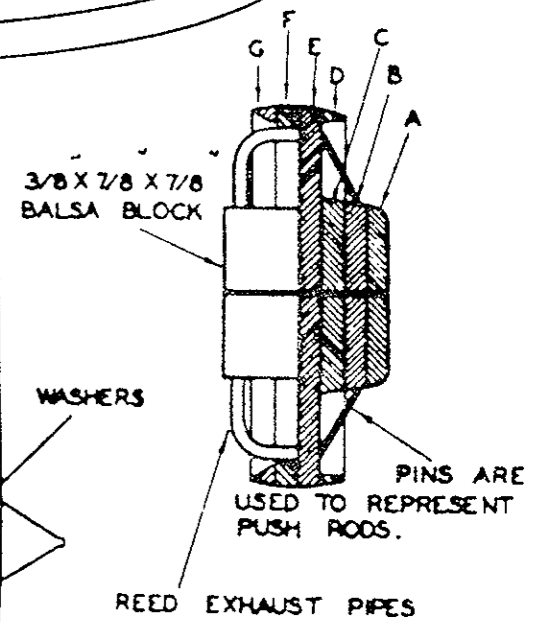
GUN IS MOUNTED BY PUSHING A PIN THROUGH THE ALUMINUM TABS AND THE GUN.



**WING SLOT**

STIFF PAPER  
 1/16 SQ. BALSA

GUN SIGHTS MADE FROM PINS AND SCRAP BALSA.



MACHINE GUN OPENINGS PLACED ON THE OTHER SIDE OF THE FUSELAGE ONLY.

FIVE PAPER COOLING FINS WITH TWO PINS PUSHED THROUGH THEM ARE USED TO REPRESENT THE RADIATOR.

BLACK THREAD IS BANANA OILED TO FUSELAGE TO SHOW INSPECTION COMPARTMENTS.

3/16 X 1/4 X 9/16 BLOCK TO WHICH PIN IS ATTACHED TO SERVE AS MACHINE GUN.

WIRE WING SKID  
 1/16 X 1/8 STRUT  
 1/16 SQ. SANDED SOMEWHAT TRIANGULAR.

GUN TROUGH IS SHAPED FROM 3/16 X 1/4 X 1-3/16 BALSA BLOCK.

1 IN. DIA. WHEELS

**WESTLAND WALLACE**  
 BRITISH GENERAL PURPOSE MILITARY PLANE.  
 WING SPAN - 18 IN.  
 LENGTH - 13 IN.

ELEVATOR AND RUDDER HORN ARE CUT FROM PRINTED ALUMINUM SHEET.

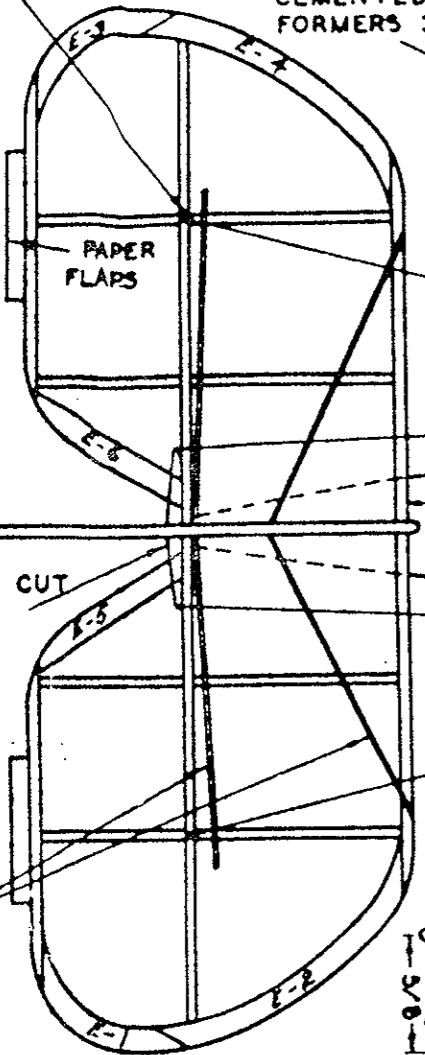
COCKPIT COWLING CUT FROM PLAN AND CEMENTED TO FORMERS 3, 4, & 5.



WINDSHIELD

THIS COWL IS SHAPED FROM 3/8" X 1-1/4" X 1-1/2" Balsa Block.

COLOR SCHEME  
TURTLE DECK & INTERPLANE STRUTS - BLACK  
REMAINDER - ALUMINUM



INSPECTION OPENINGS - SILVER TISSUE

THREAD CONTROL WIRES SHOULD BE PUT ON THE MODEL BEFORE MACHINE GUN DETAILS ARE GLUED IN PLACE.

CUT INSTRUMENT PANEL FROM PLAN AND CEMENT TO FORMER 3.

COWLING IS BUILT UP OF SHEET Balsa RINGS AND SHAPED AS SHOWN IN SECTIONAL VIEW

WHITE LIGHT

RUDDER HORN - CUT FROM PRINTED ALUM. SHEET

LOWER SCARF RING GLUED IN POSITION

1/8" REED EXHAUST PIPES

USE THREAD FOR ALL BRACE WIRES

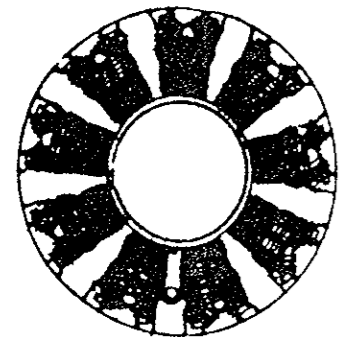
COWLING BULGES SLIGHTLY BECAUSE MACHINE GUN FIRES THROUGH IT.

WIRE BRACES

1/16" X 1/8" Balsa STRUTS SANDED STREAMLINED.

1/16" SQ. Balsa

1/8" SHEET Balsa WING TIPS



WIRE WING SKID

3/32" SQ. X 3/16" BLOCK STREAMLINED.

1/8" Balsa STRUT

POWERED WITH 4 STRANDS OF 1/8" FLAT RUBBER



TOP VIEW OF PANT

REED

REED BENDS READILY WHEN SOAKED IN HOT WATER.

1/16" X 1/8" Balsa STRUT



KIT NO. 517

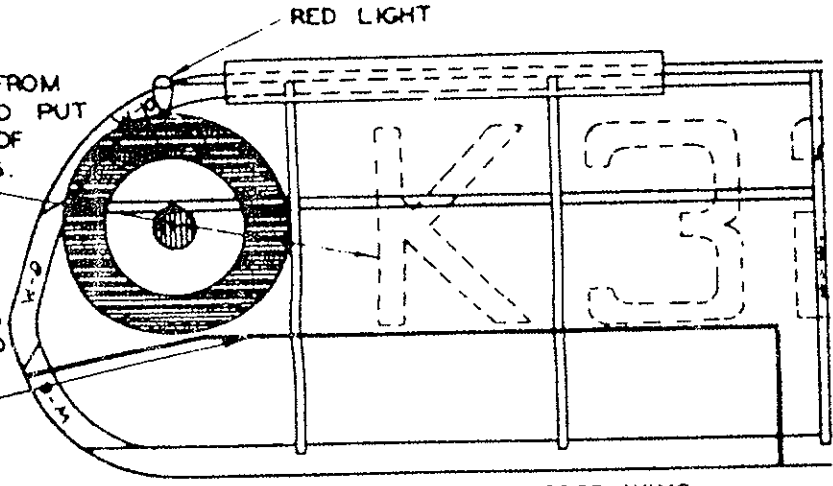
SCALE PROPELLER MADE FROM 1/4" Balsa  
FOR FLYING USE A 5" MACHINE CUT PROPELLER

CENTER SPAR - MAKE 4

RED LIGHT

LETTERS CUT FROM GUMMED SHEET AND PUT ON THE BOTTOM OF THE LOWER WINGS.

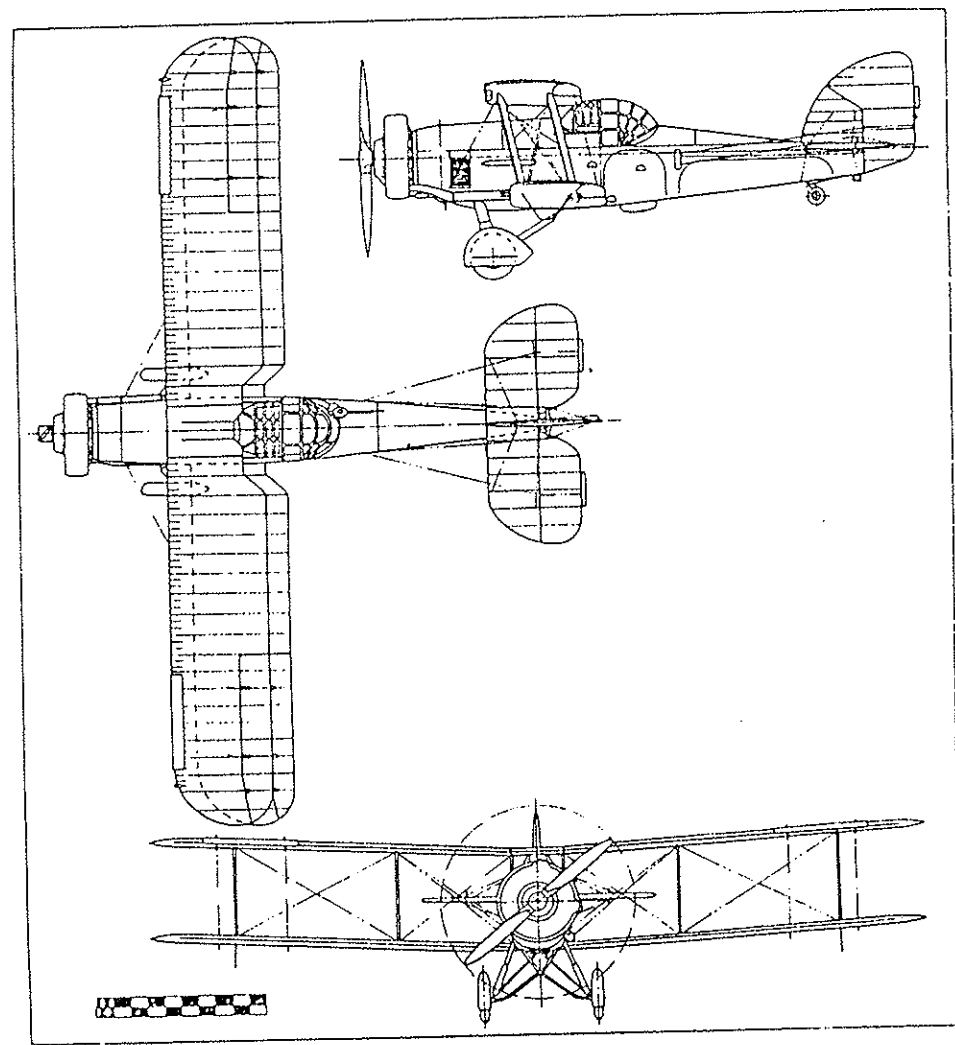
BLACK THREAD BANANA OILED TO WINGS TO SHOW UP AILERON.



LOWER WING BUILT IN THE SAME WAY AS THE UPPER WING.

LEFT WING-TIP PANEL AND MAIN WING SPAR FOR THE WESTLAND WALLACE

M



Westland Wallace Mk. II

