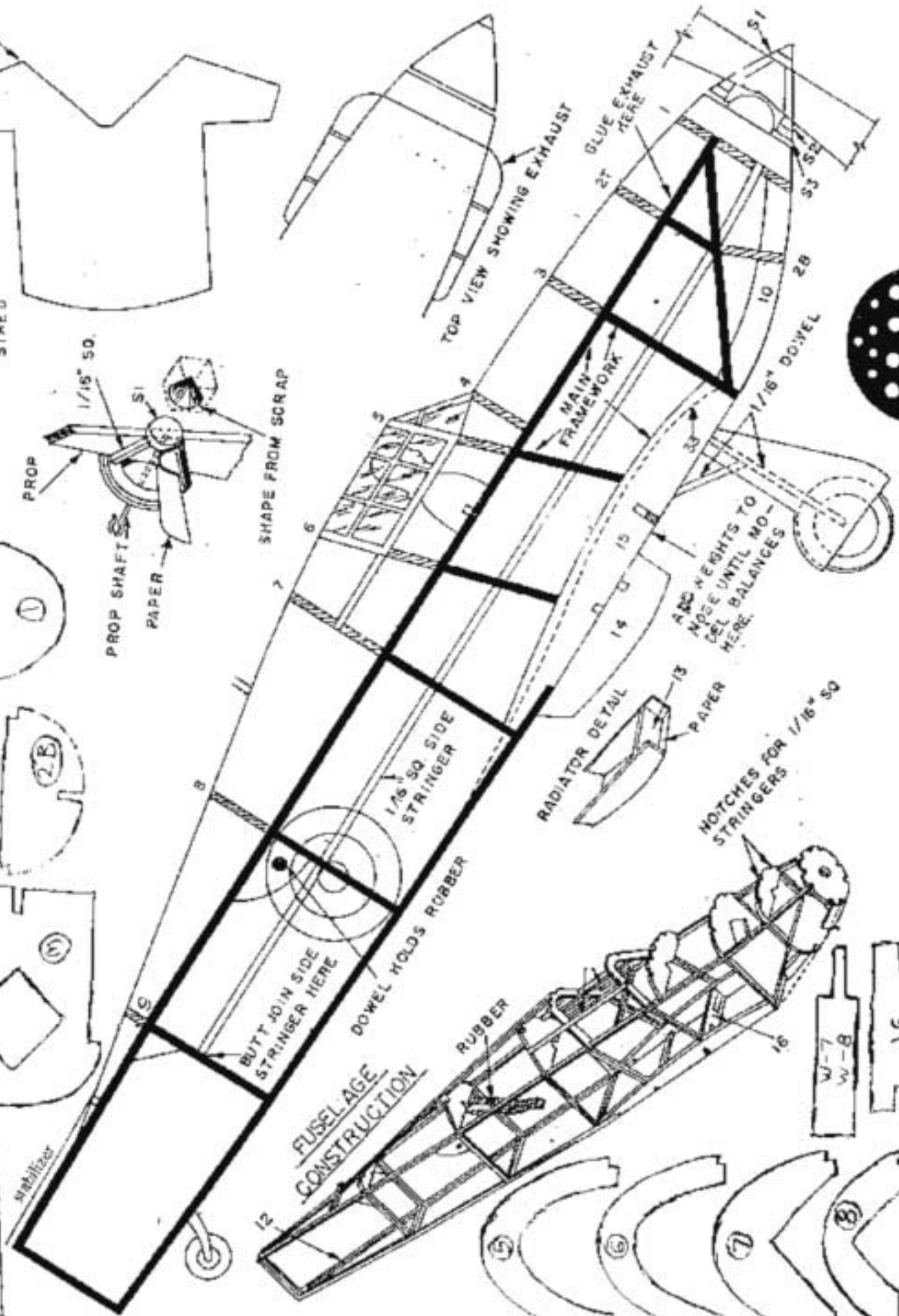
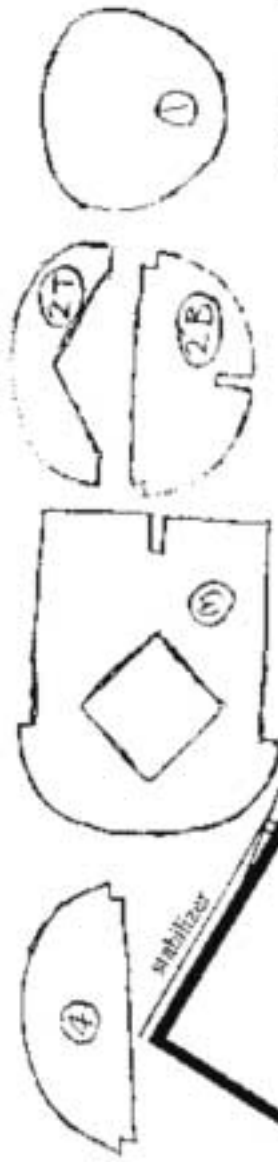


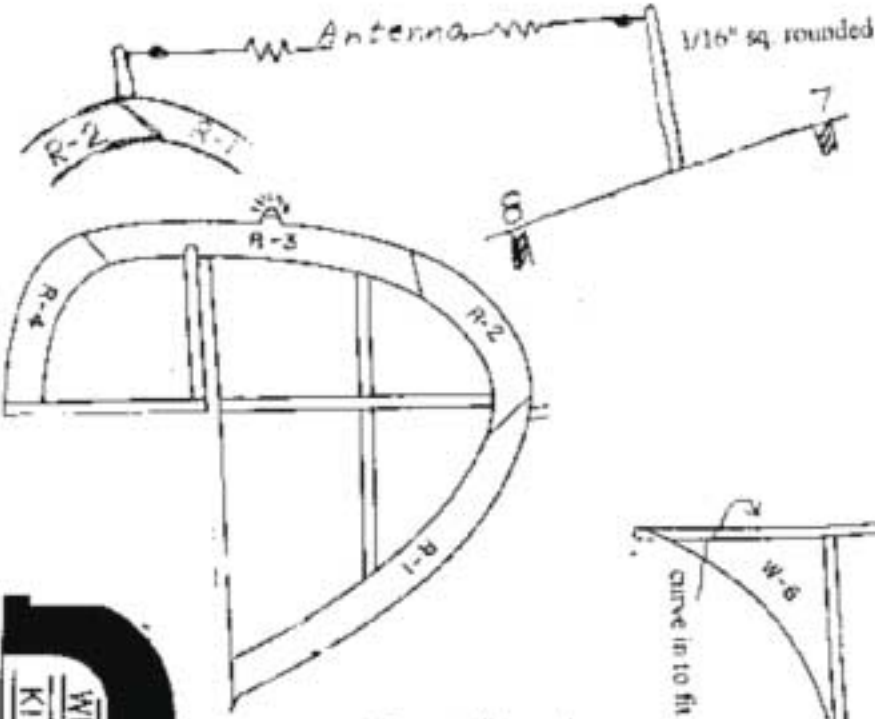
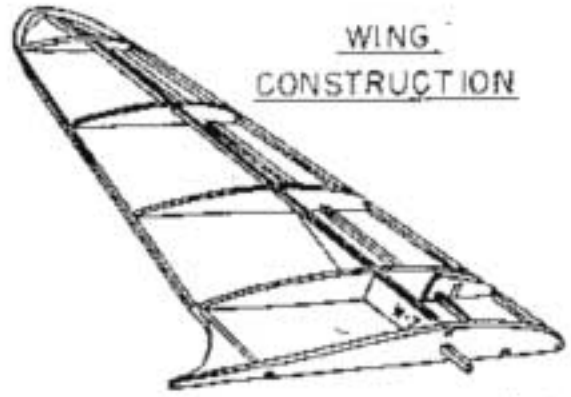
SHAPE FROM SCRAP



GLUE TO 4

FUSELAGE CONSTRUCTION

WING CONSTRUCTION



GLUE TO 4

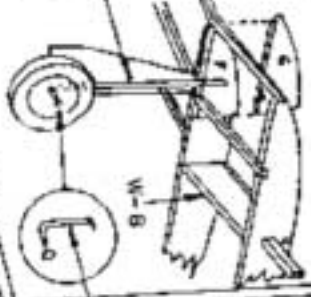
HAWKER HURRICANE
 WINGSPAN 16" | LENGTH 12"
 KIT NO. A36 DRAWN BY *Spencer*

1-1/4" DIEDRAL



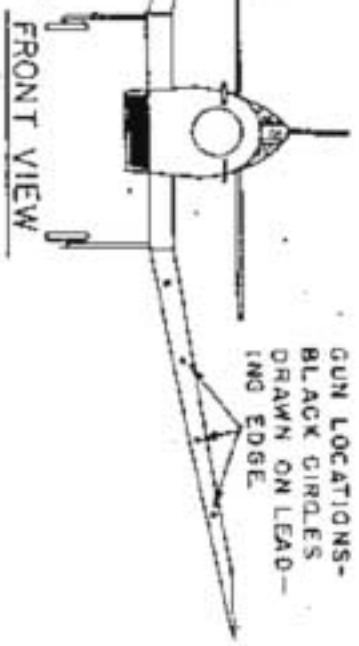
Curve in to fit body

GLUE 1/16" DOWEL INTO SLOT IN F



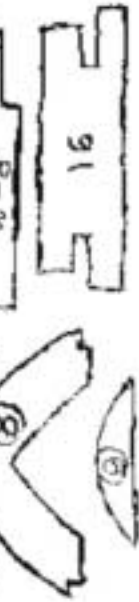
BEND PIN AFTER WHEEL IS ON

RIGHT WING

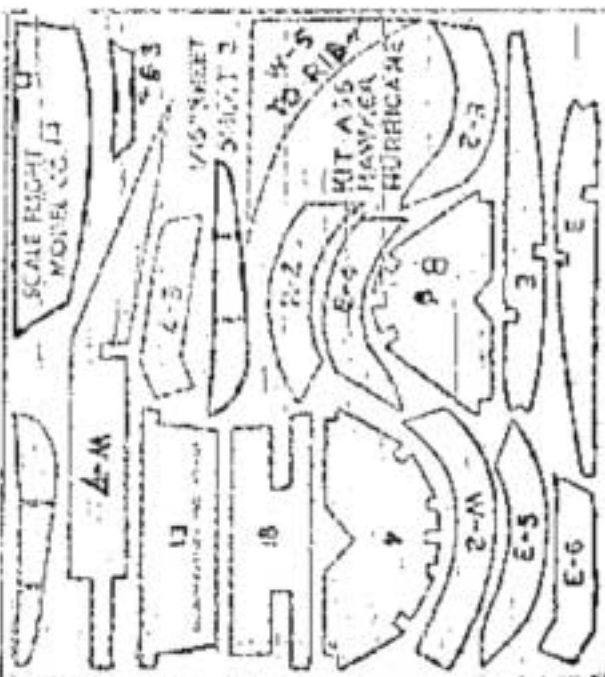
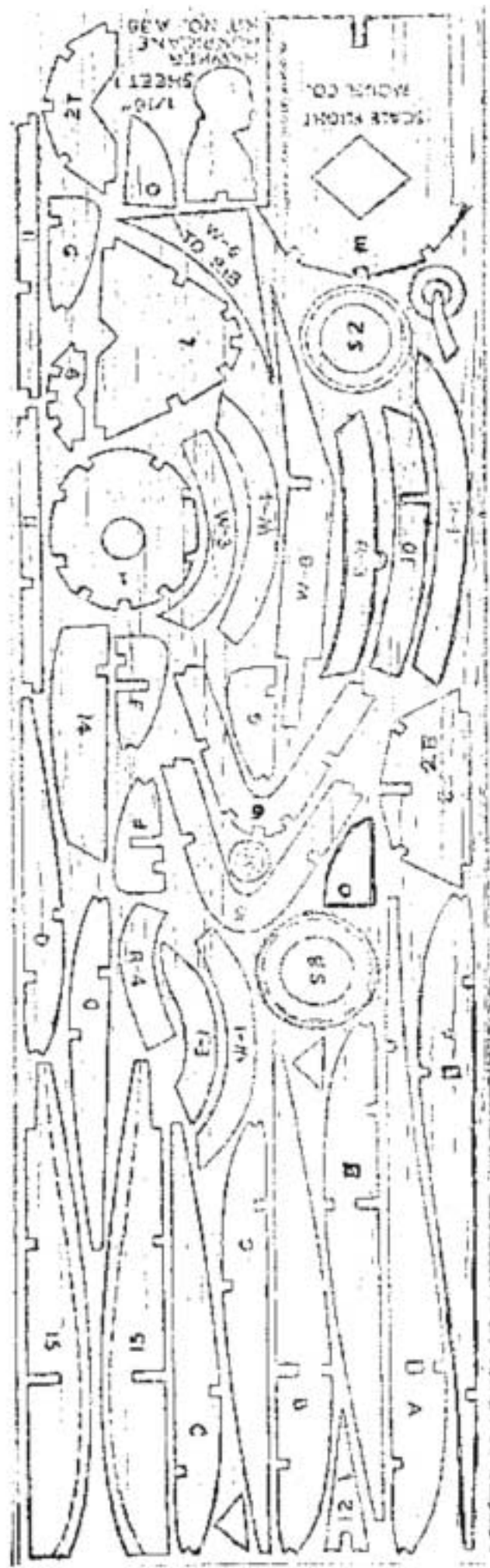


FRONT VIEW

CUN LOCATIONS-
 BLACK CIRCLES
 DRAWN ON LEAD-
 ING EDGE



TION



Comet Dime Scale Print Wood