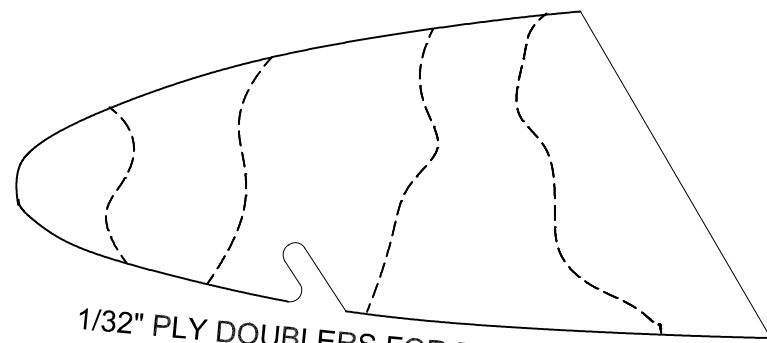
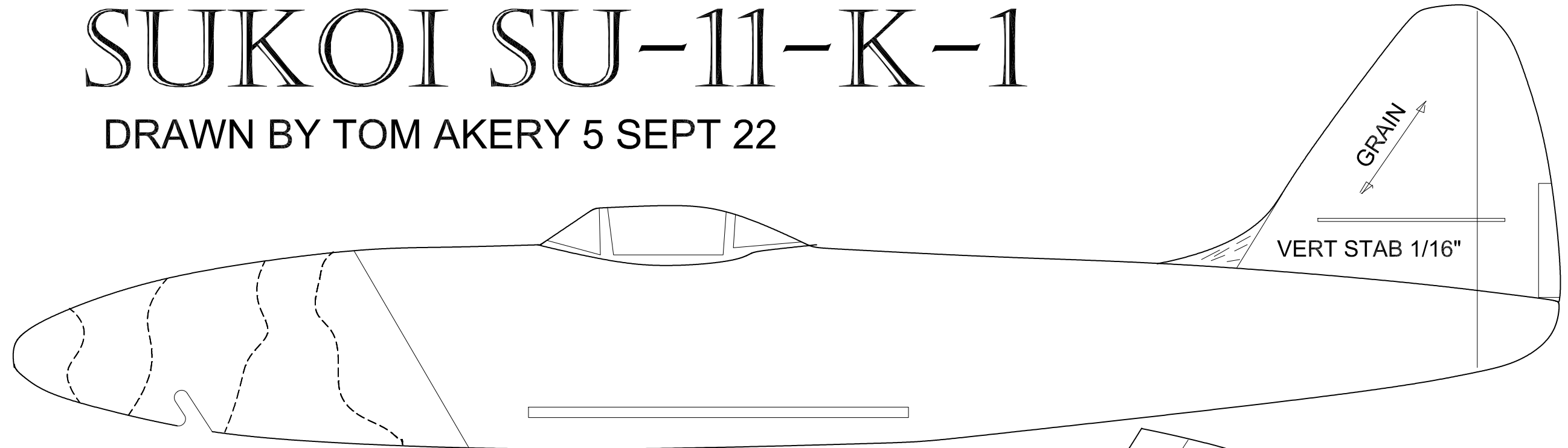
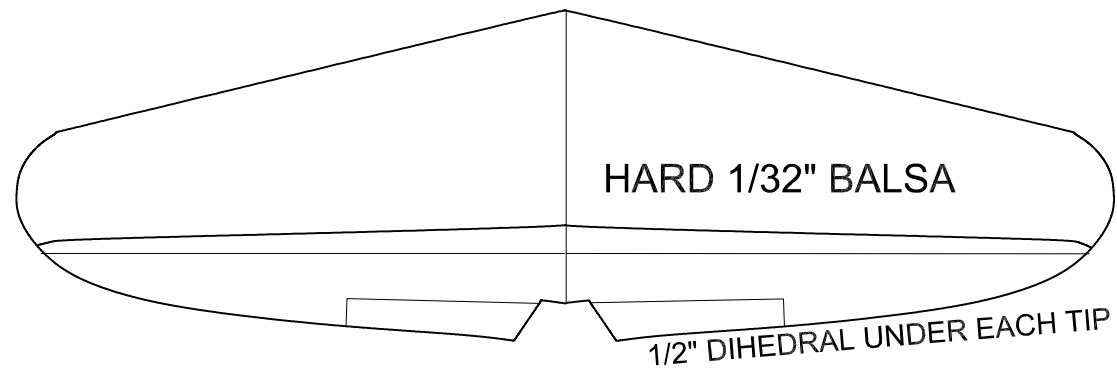


# SUKOI SU-11-K-1

DRAWN BY TOM AKERY 5 SEPT 22

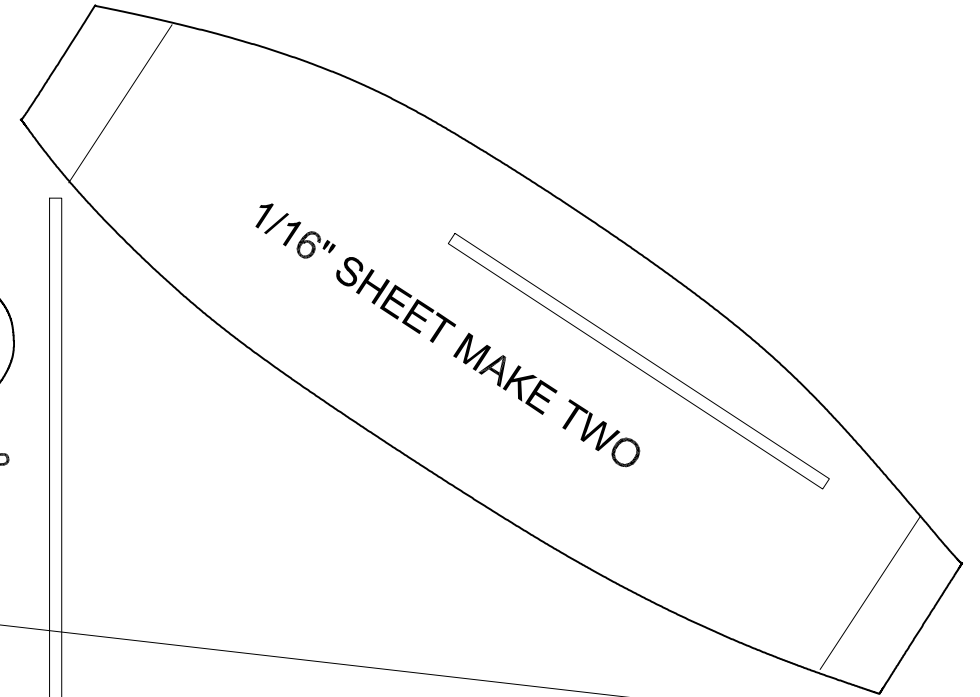


1/32" PLY DOUBLERS FOR EACH SIDE OF NOSE

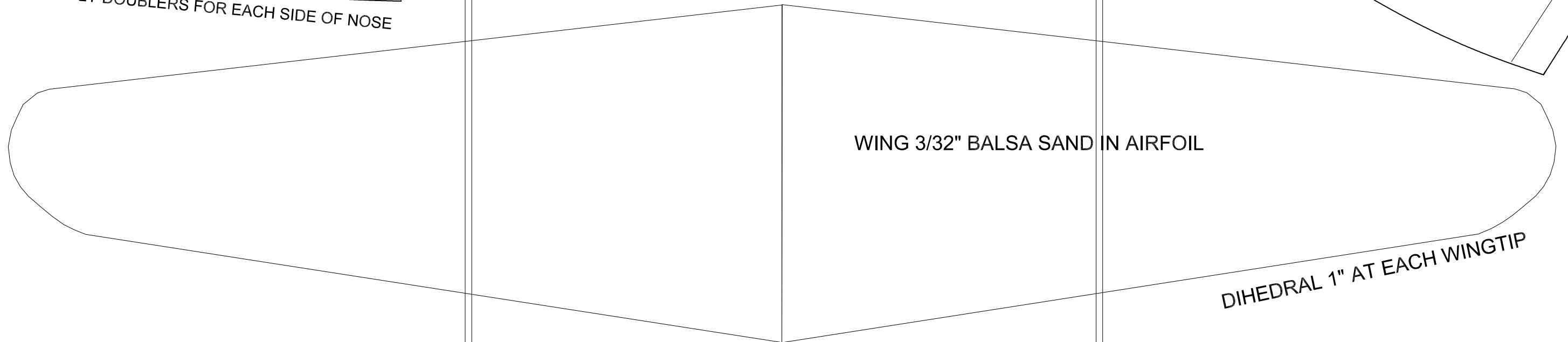


HARD 1/32" Balsa

1/2" DIHEDRAL UNDER EACH TIP



1/16" SHEET MAKE TWO



WING 3/32" Balsa SAND IN AIRFOIL

DIHEDRAL 1" AT EACH WINGTIP