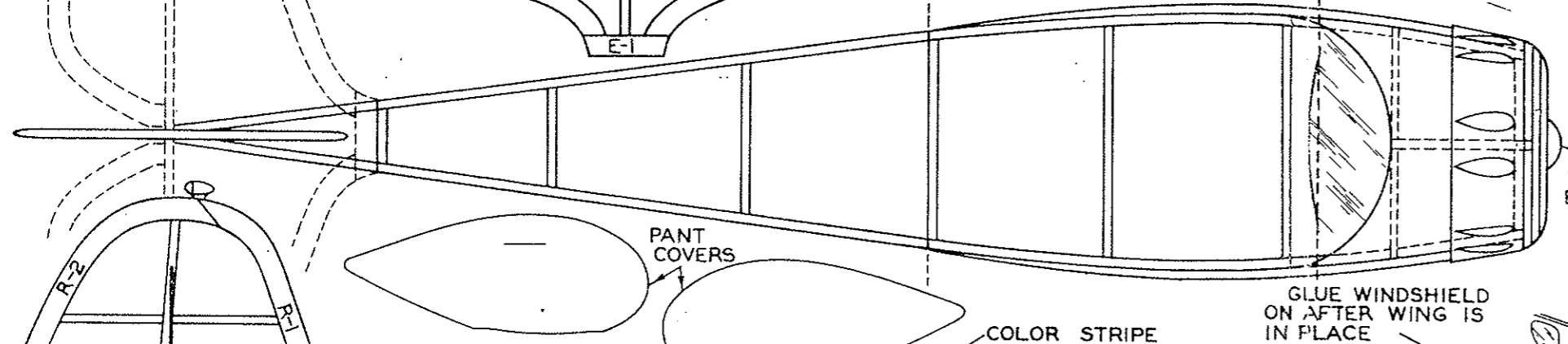
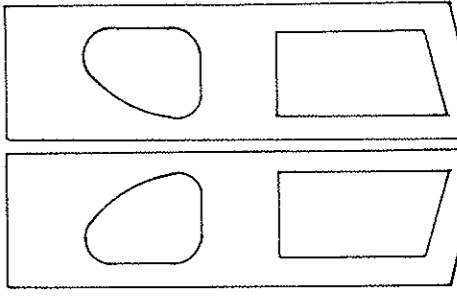
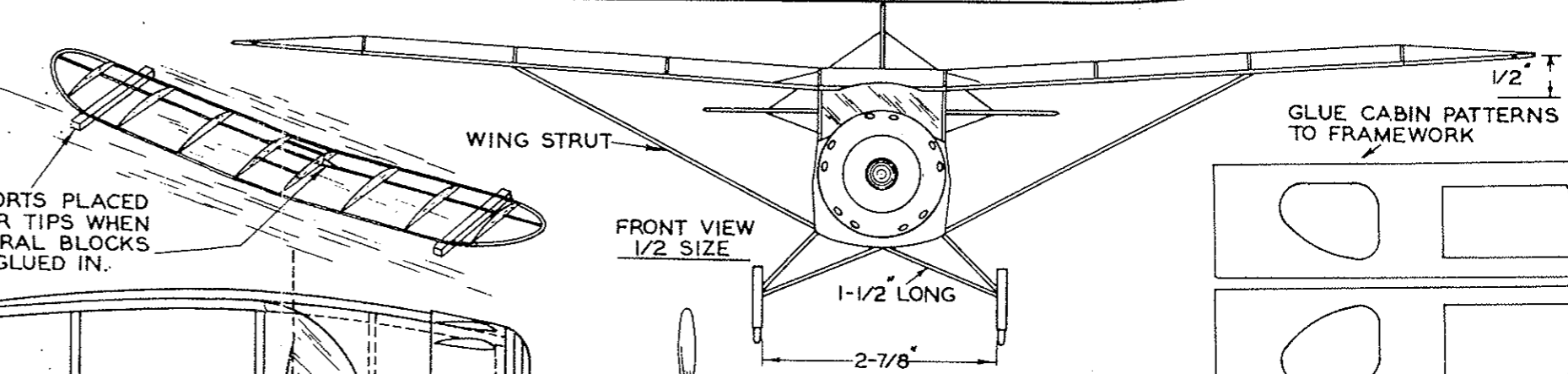
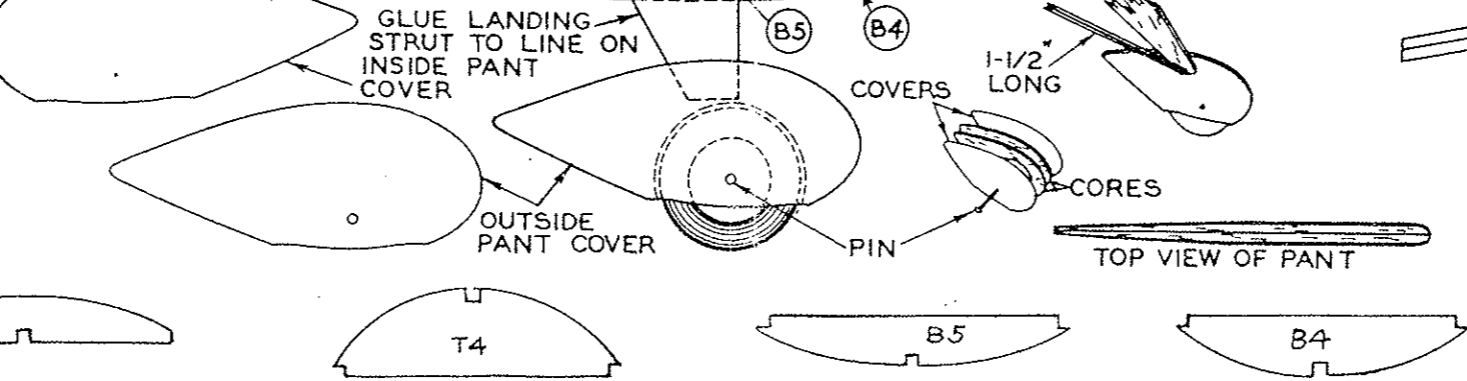
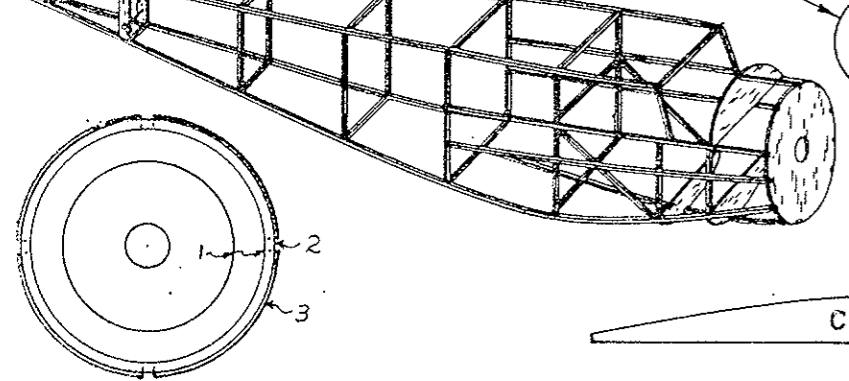
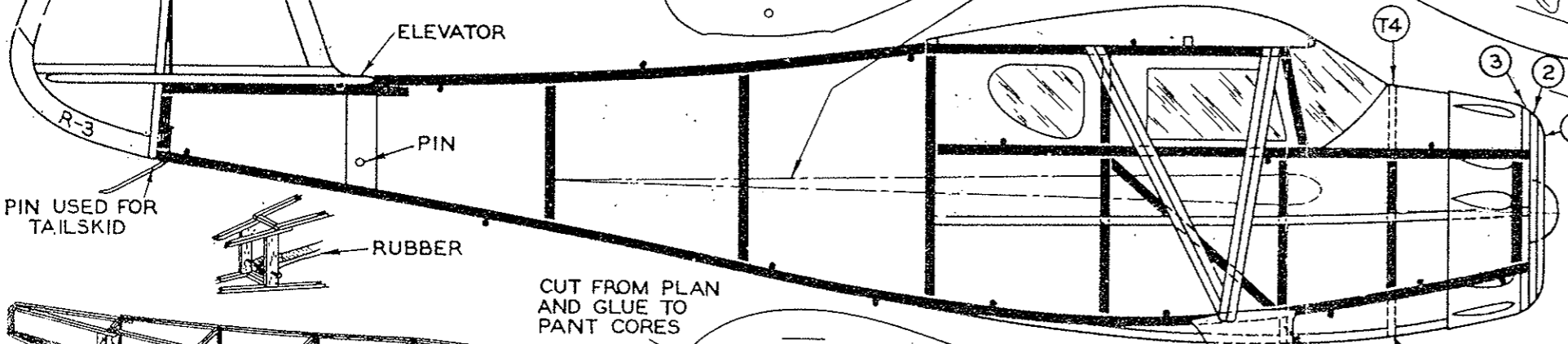
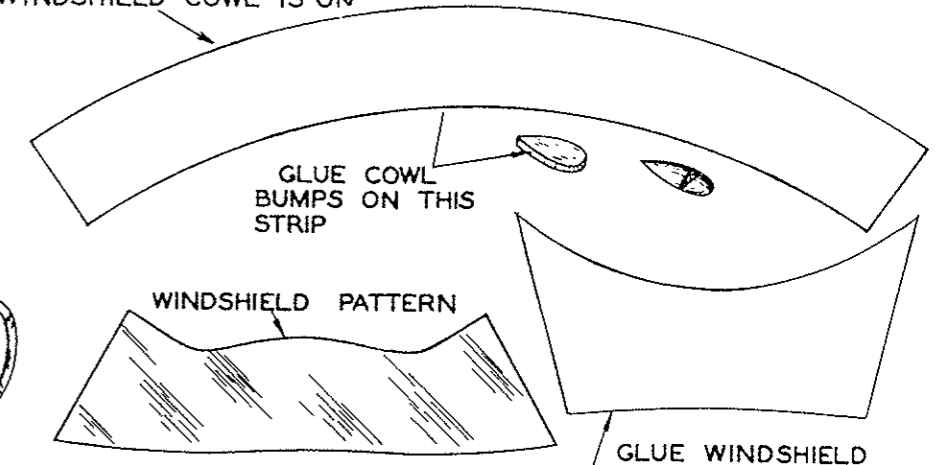


SUPPORTS PLACED UNDER TIPS WHEN DIHEDRAL BLOCKS ARE GLUED IN.



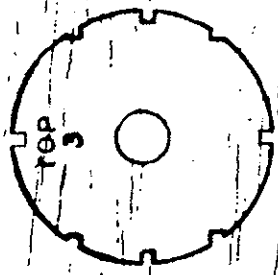
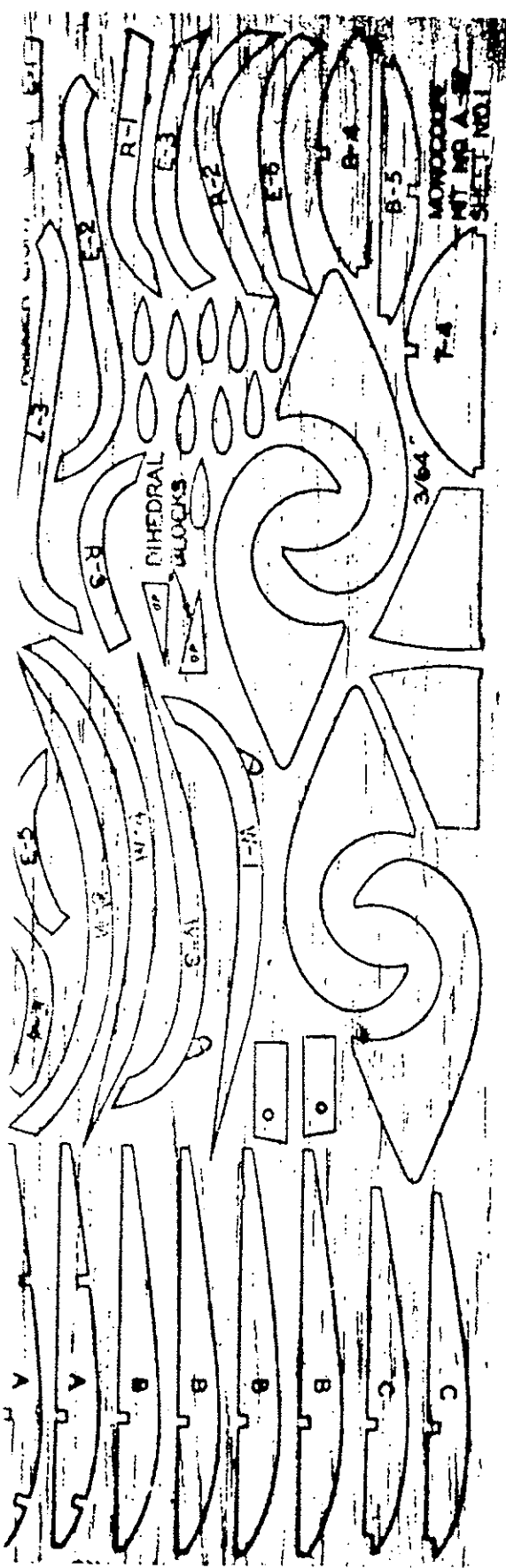
GLUE IN PLACE AFTER THE WINDSHIELD COWL IS ON



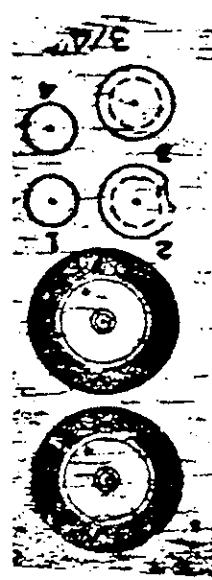
MONOCOUCPE

WINGSPAN 16" | LENGTH 10"

DRAWN BY *Herbick* | KIT NO. A 27

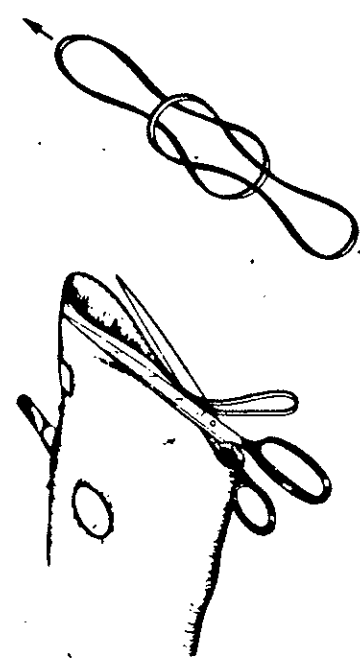


MONOCOQUE
KIT NO. A-27
SHEET NO. 2
3/64"

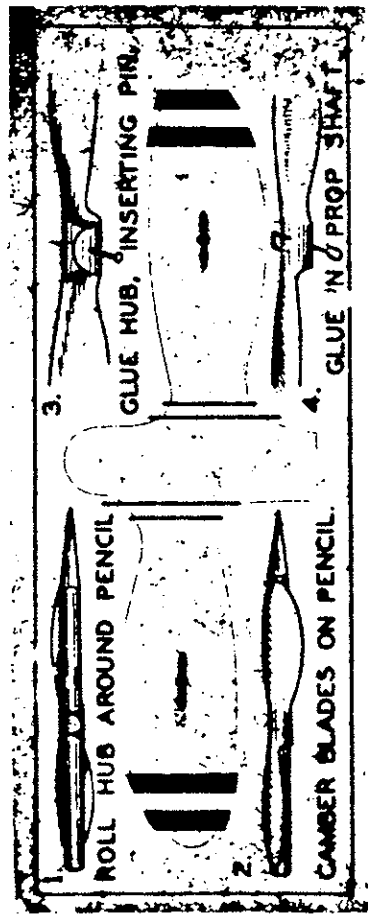


THRUST BUTTON CONSTRUCTION

1. ASSEMBLE PARTS ON PIN.
2. GLUE PIECES TOGETHER.
3. SAND TO SHAPE SHOWN.
4. APPLY GLUE TO BUTTON FOR BEARING.



IF RUBBER MOTOR CANNOT BE OBTAINED FROM YOUR MODEL SUPPLY DEALER, USE RUBBER LOOP CUT FROM OLD INNER TUBE OR SEVERAL SMALLER RUBBER BANDS JOINED AS SHOWN.



1. ROLL HUB AROUND PENCIL
2. CAMBER BLADES ON PENCIL
3. GLUE HUB, INSERTING PIN
4. GLUE IN PROP SHAFT