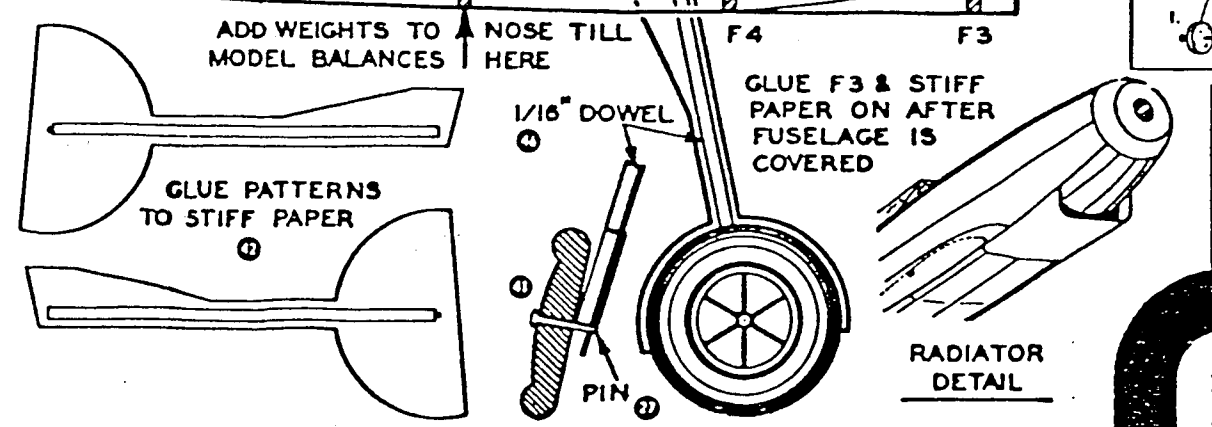
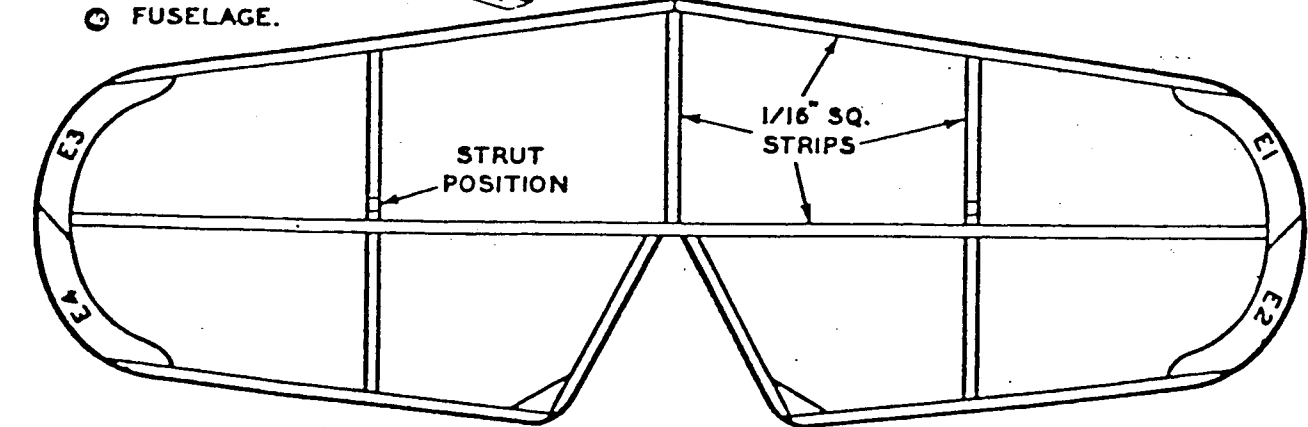
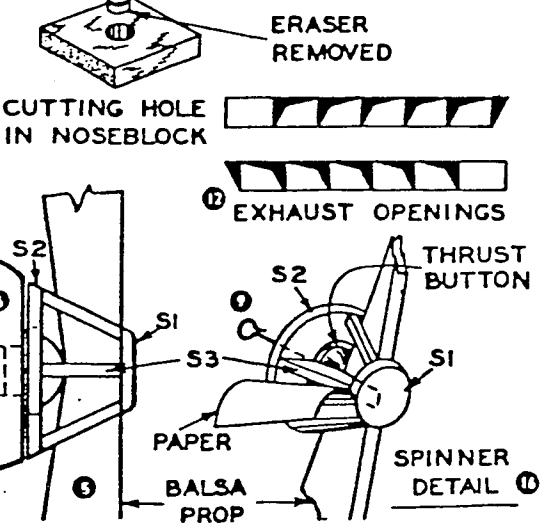
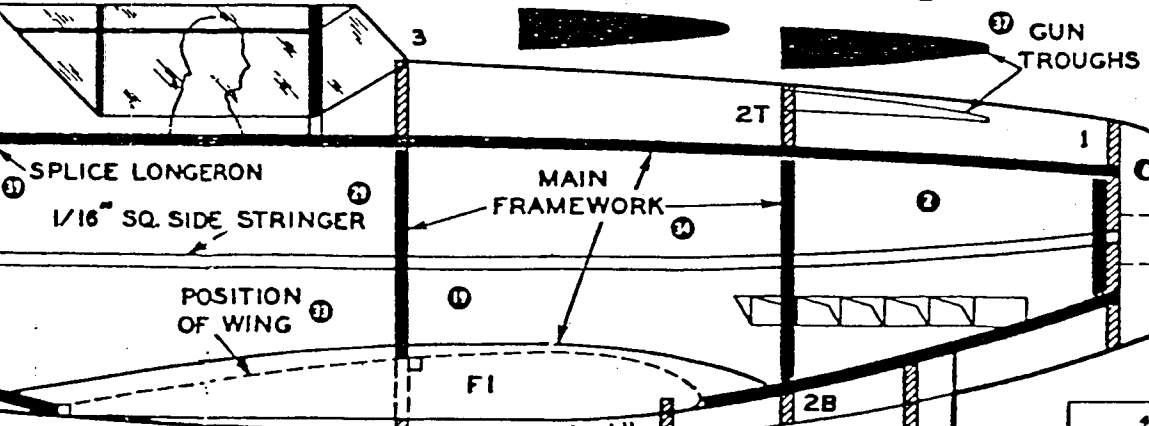
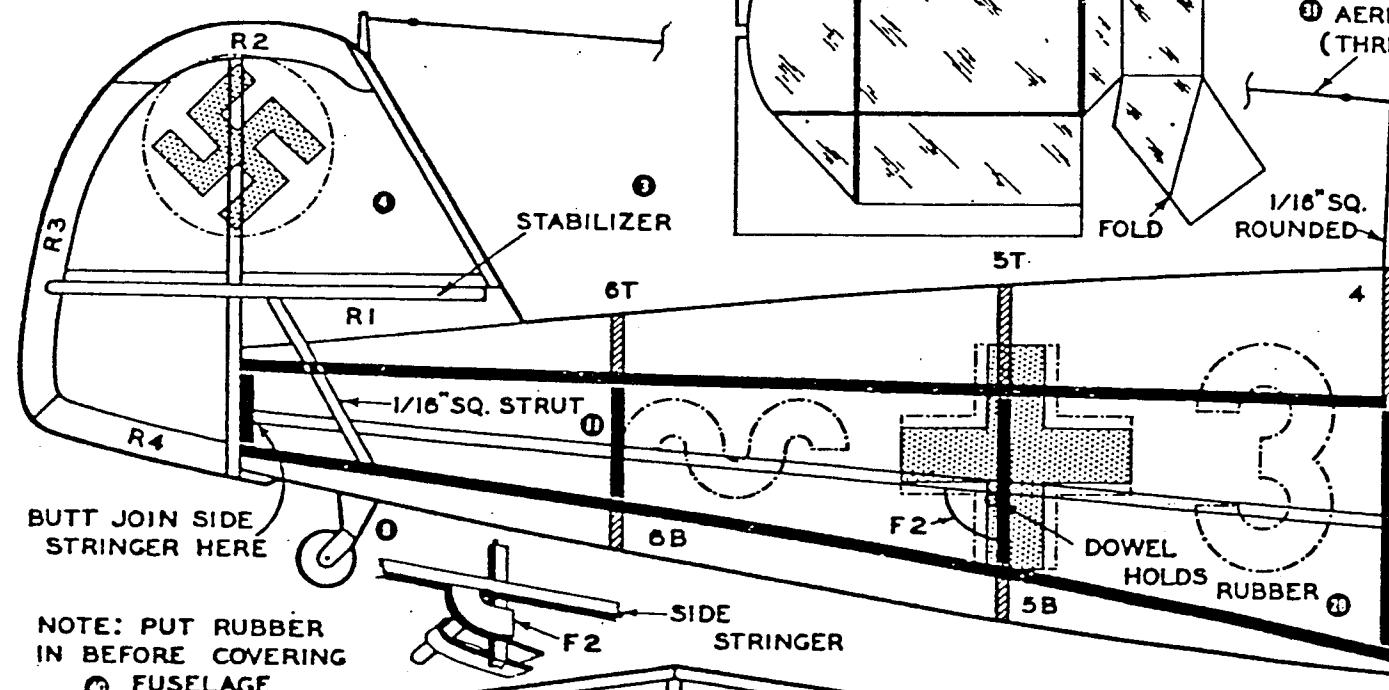
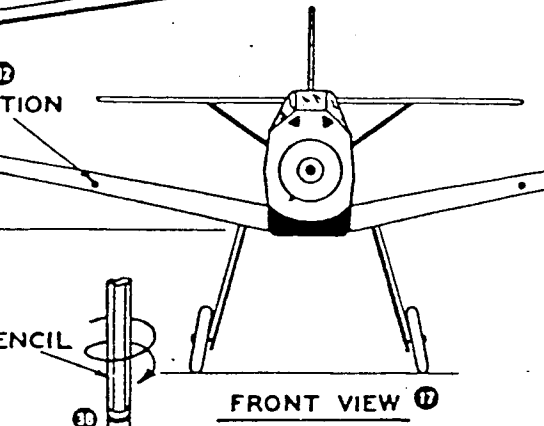
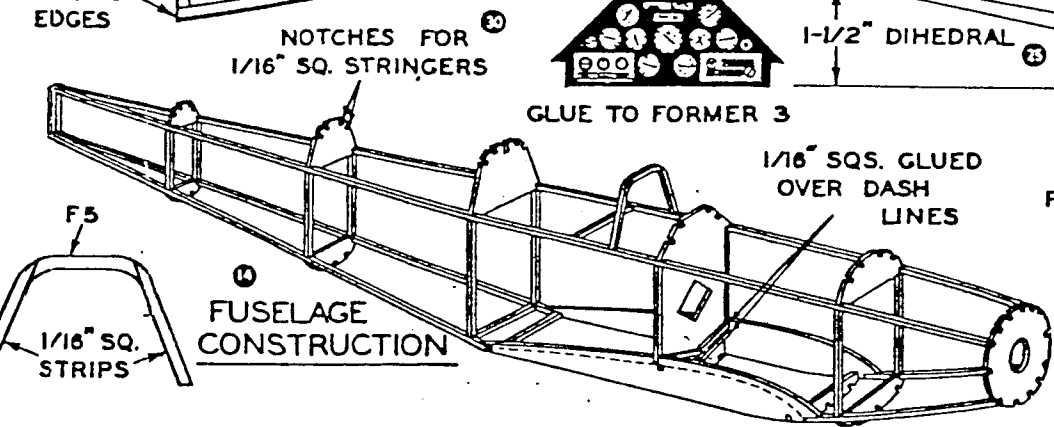
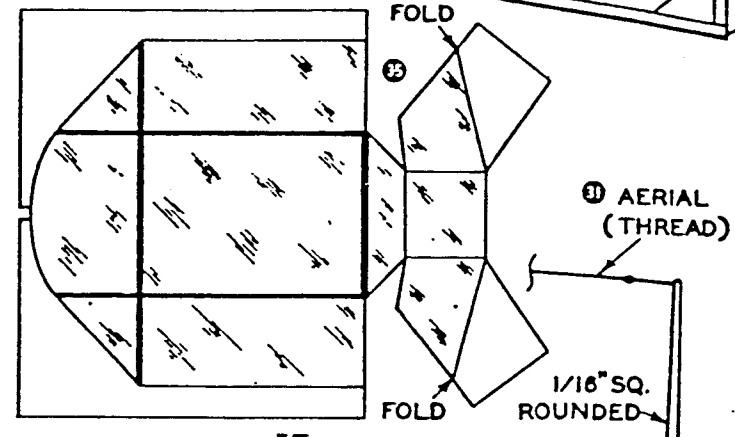
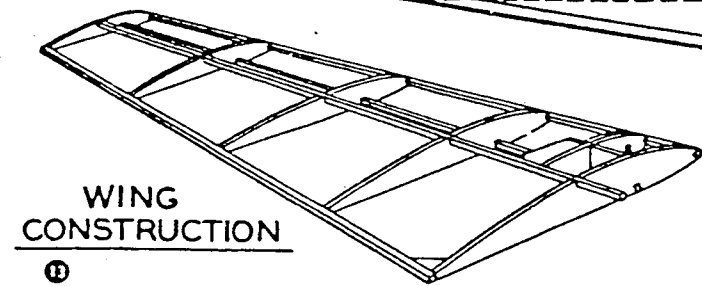
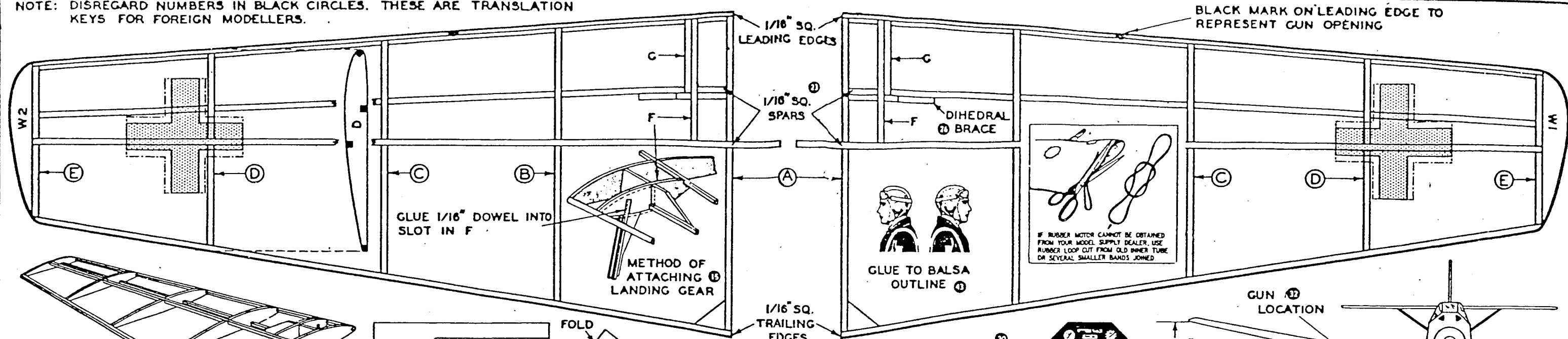


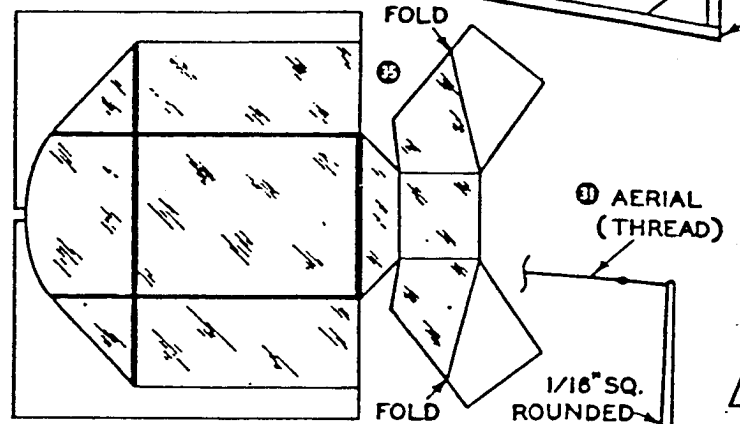
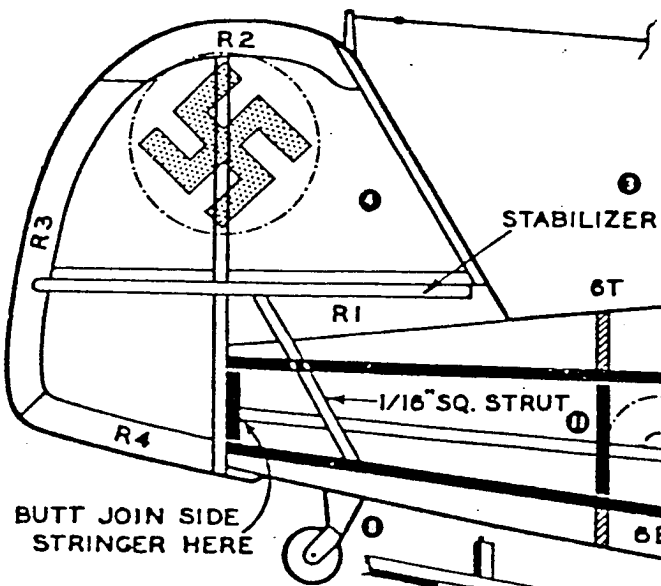
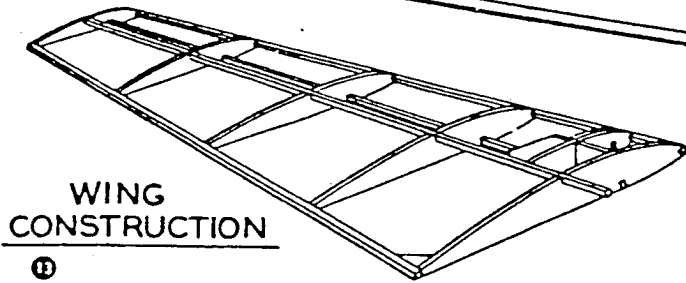
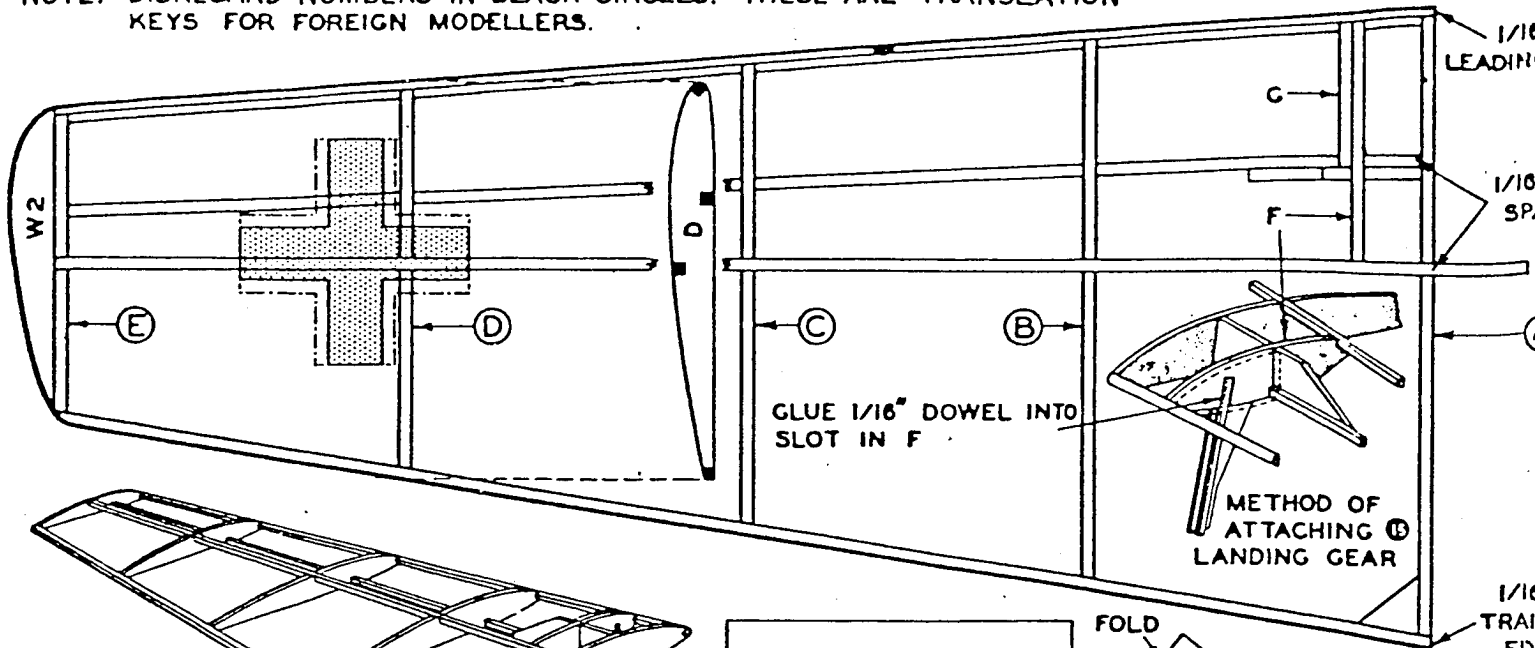
NOTE: DISREGARD NUMBERS IN BLACK CIRCLES. THESE ARE TRANSLATION KEYS FOR FOREIGN MODELLERS.



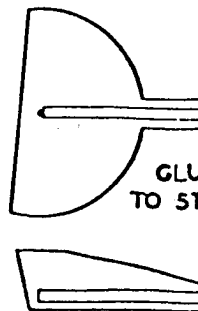
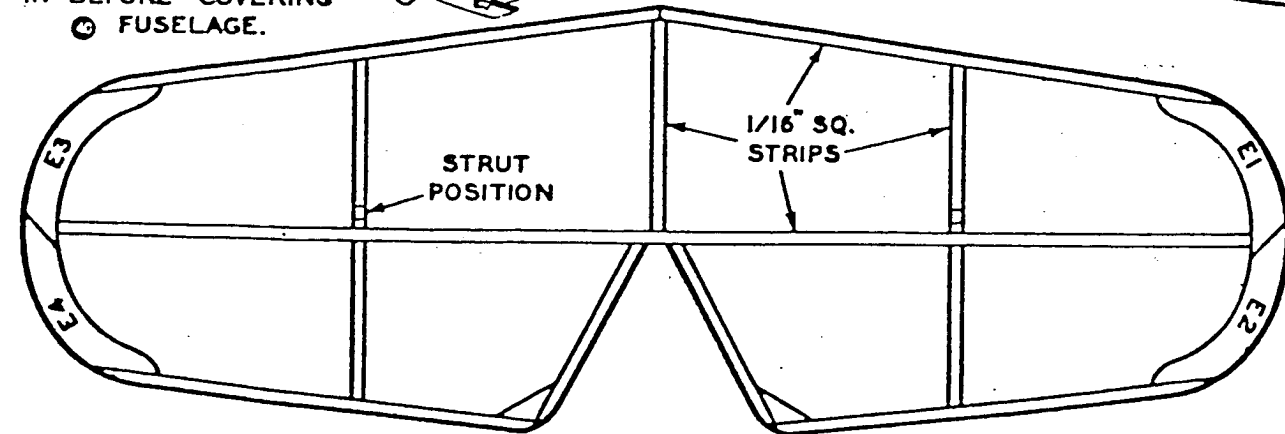
1,150 H.P. DAIMLER-BENZ ENGINE
 23 MM. CANNON THRU PROP HUB
 4 MACHINE GUNS
 RADIO & OXYGEN EQUIPMENT
 TOP SPEED - 354 M.P.H.
 CRUISING SPEED - 298 M.P.H.
 CEILING - 36,000 FEET

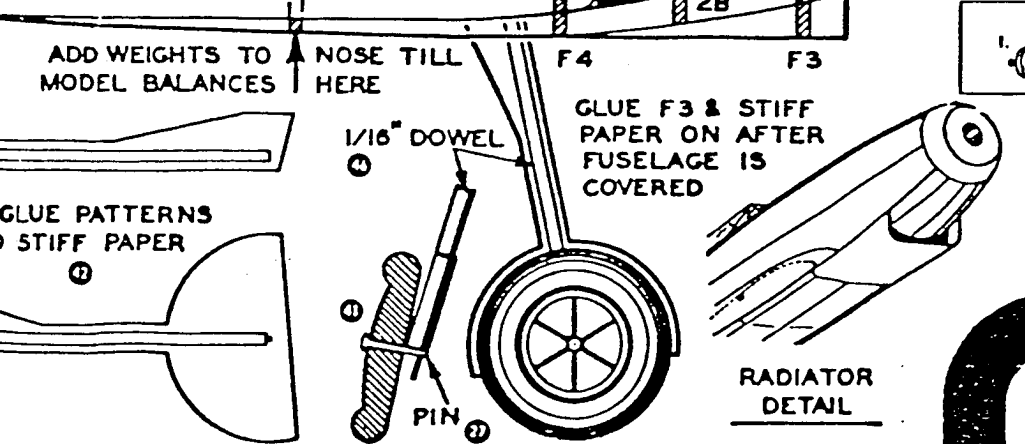
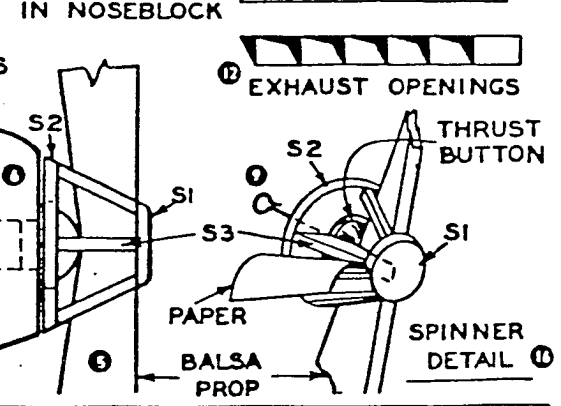
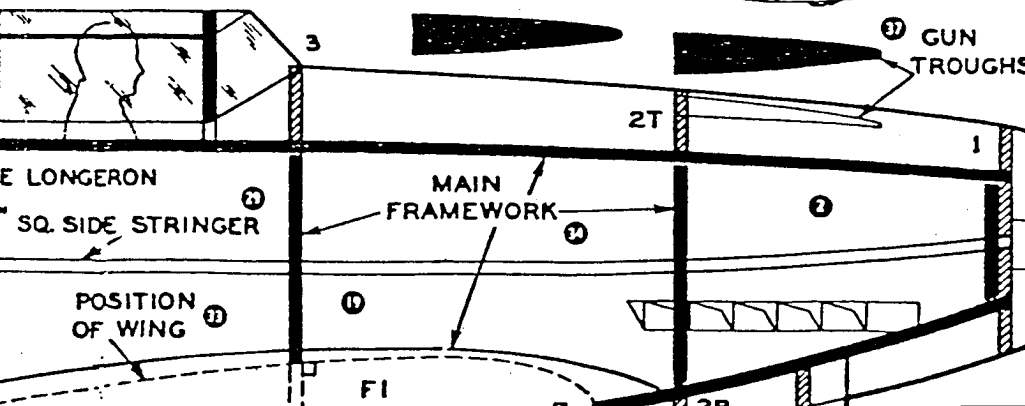
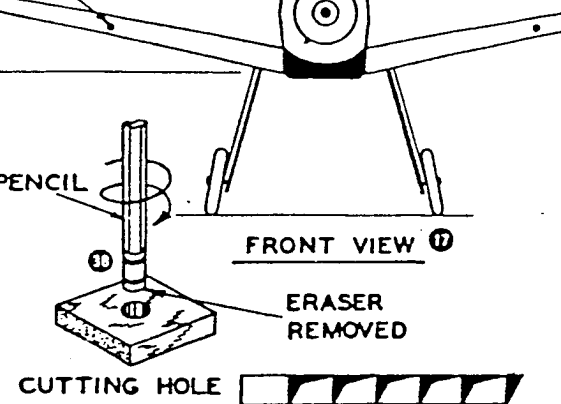
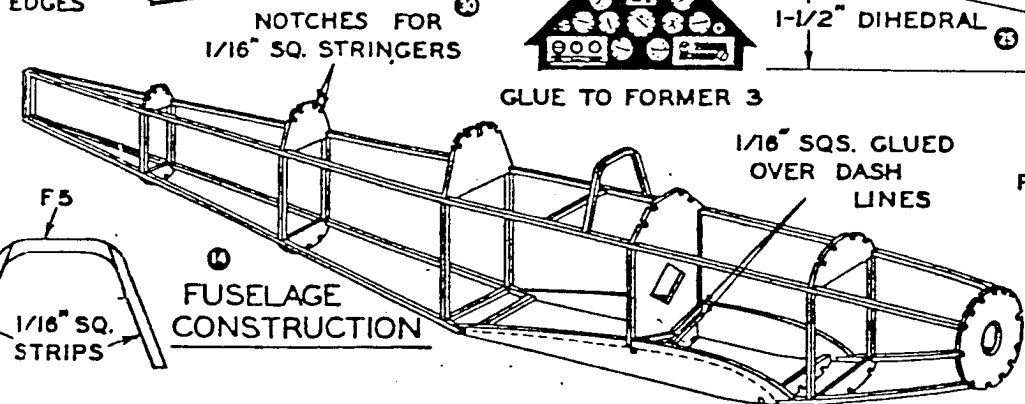
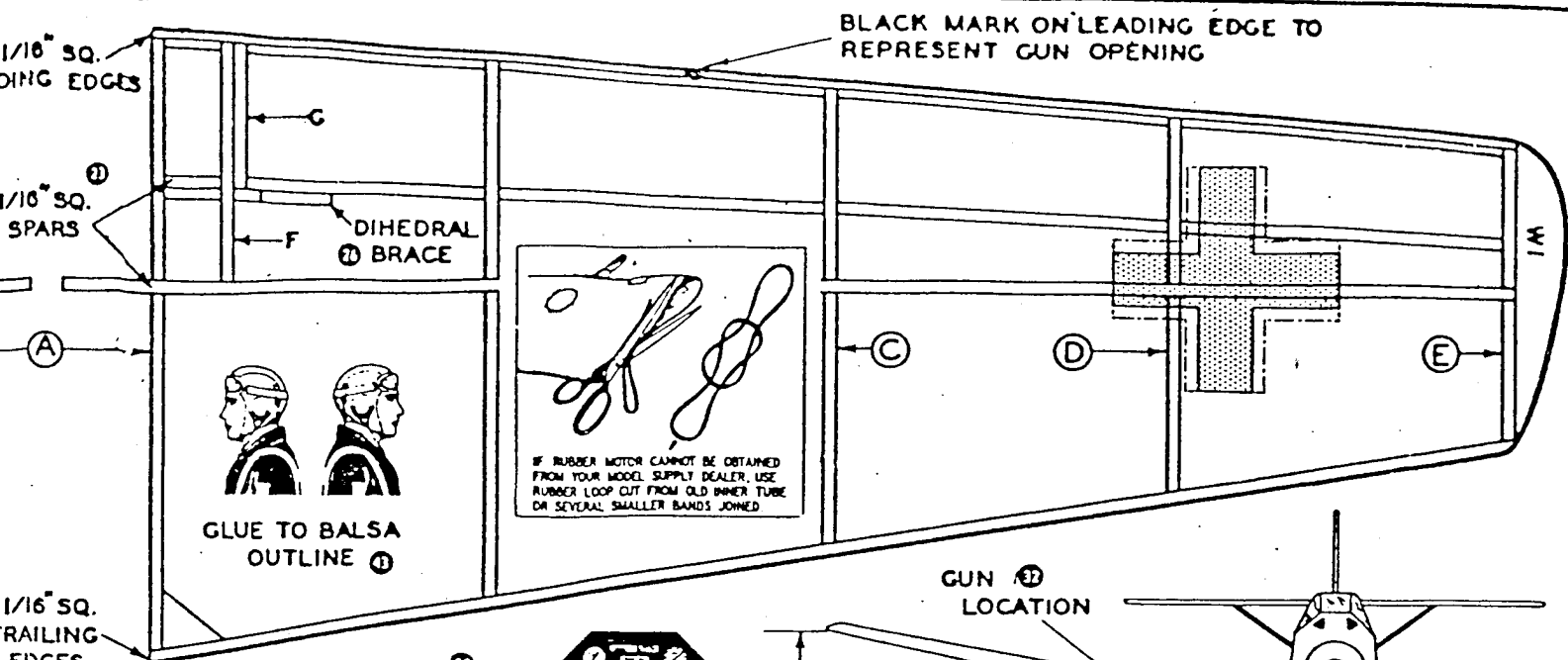
MESSerschmitt ME 109
 WINGSPAN 16" | LENGTH 13-3/4"
 KIT NO. A37 | DRAWN BY [Signature]

NOTE: DISREGARD NUMBERS IN BLACK CIRCLES. THESE ARE TRANSLATION KEYS FOR FOREIGN MODELLERS.



NOTE: PUT RUBBER IN BEFORE COVERING 10 FUSELAGE.





THRUST BUTTON CONSTRUCTION

1. G
2. (component)
3. (component)
4. (component)

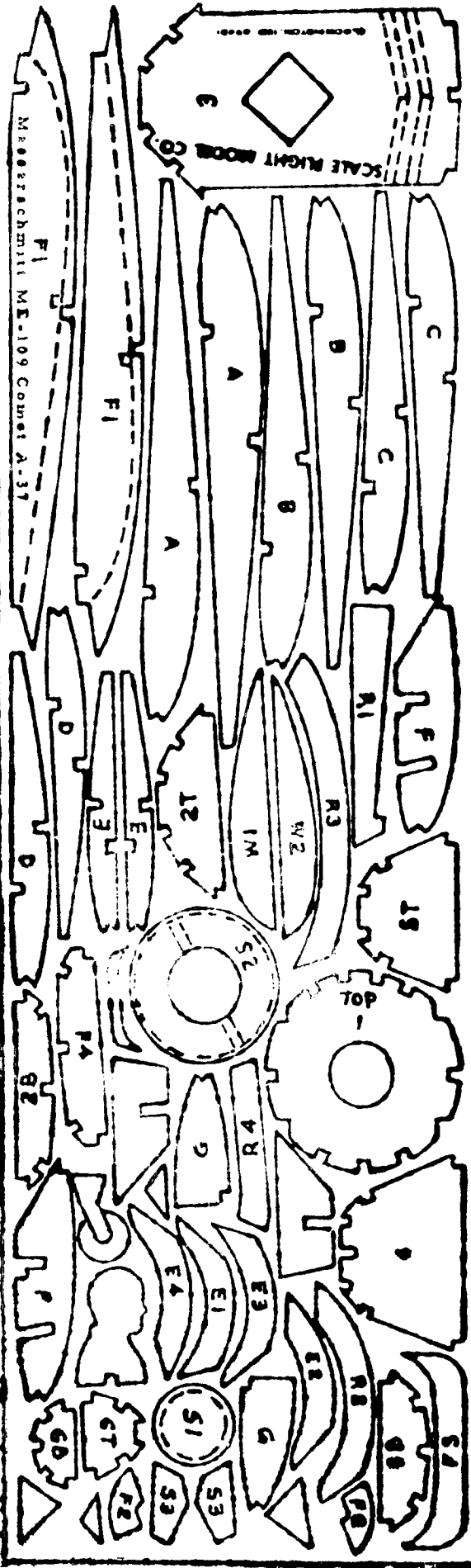
1,150 H.P. DAIMLER-BENZ ENGINE
 23 MM. CANNON THRU PROP HUB
 4 MACHINE GUNS
 RADIO & OXYGEN EQUIPMENT
 TOP SPEED - 354 M.P.H.
 CRUISING SPEED - 298 M.P.H.
 CEILING - 36,000 FEET

MESSERSCHMITT ME 109

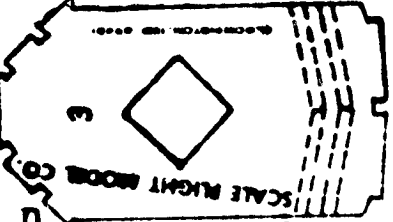
WINGSPAN 16" | LENGTH 13-3/4"

KIT NO. A37 | DRAWN BY [Signature]

MESSERSCHMITT ME109



F1
Messerschmitt ME-109 Comet A-37



ME109