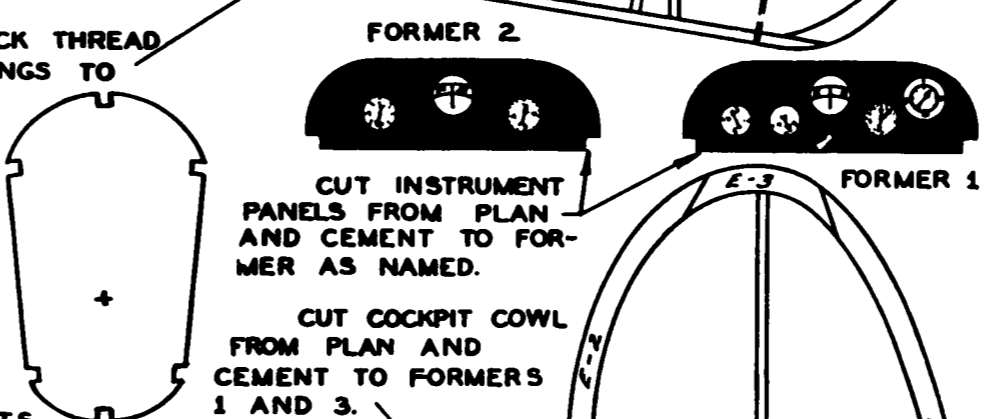
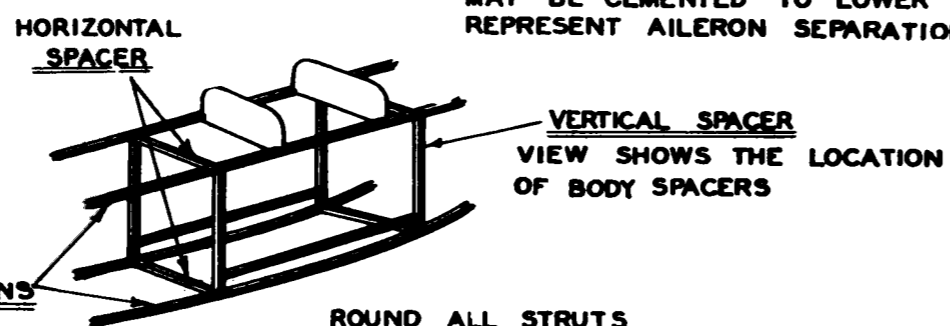
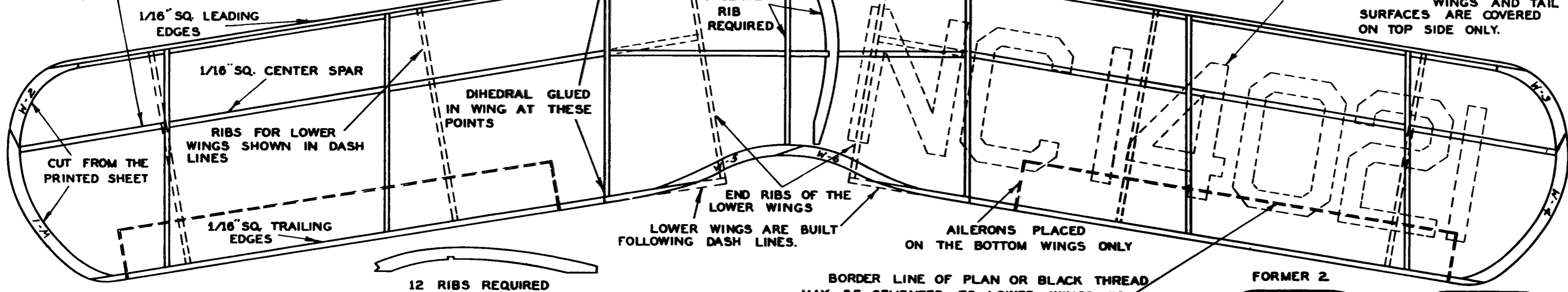
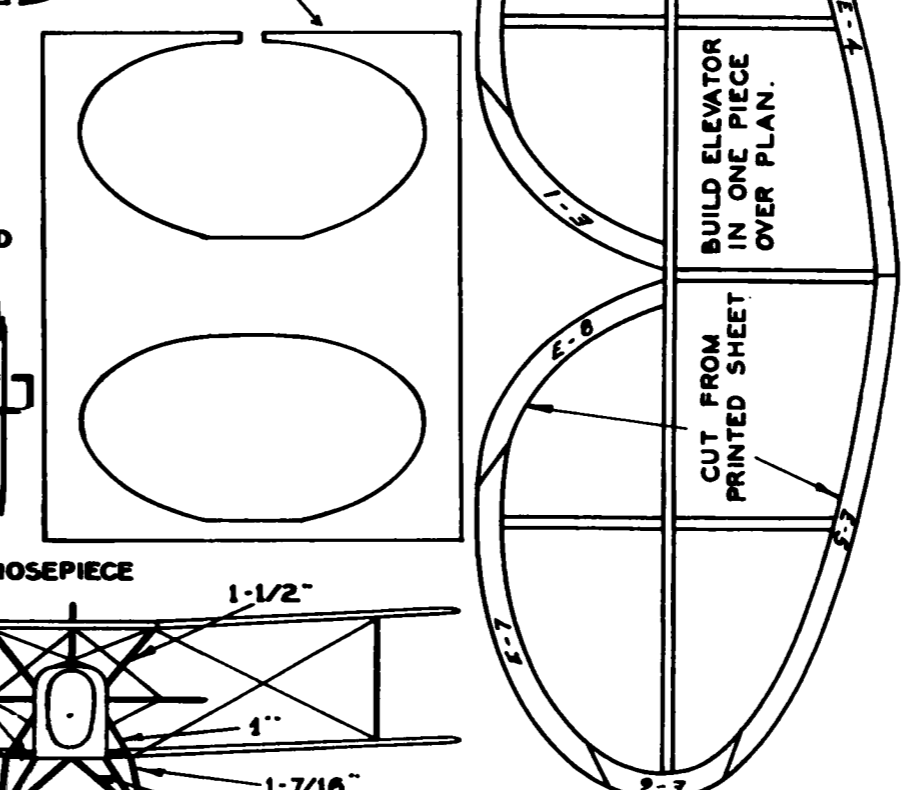
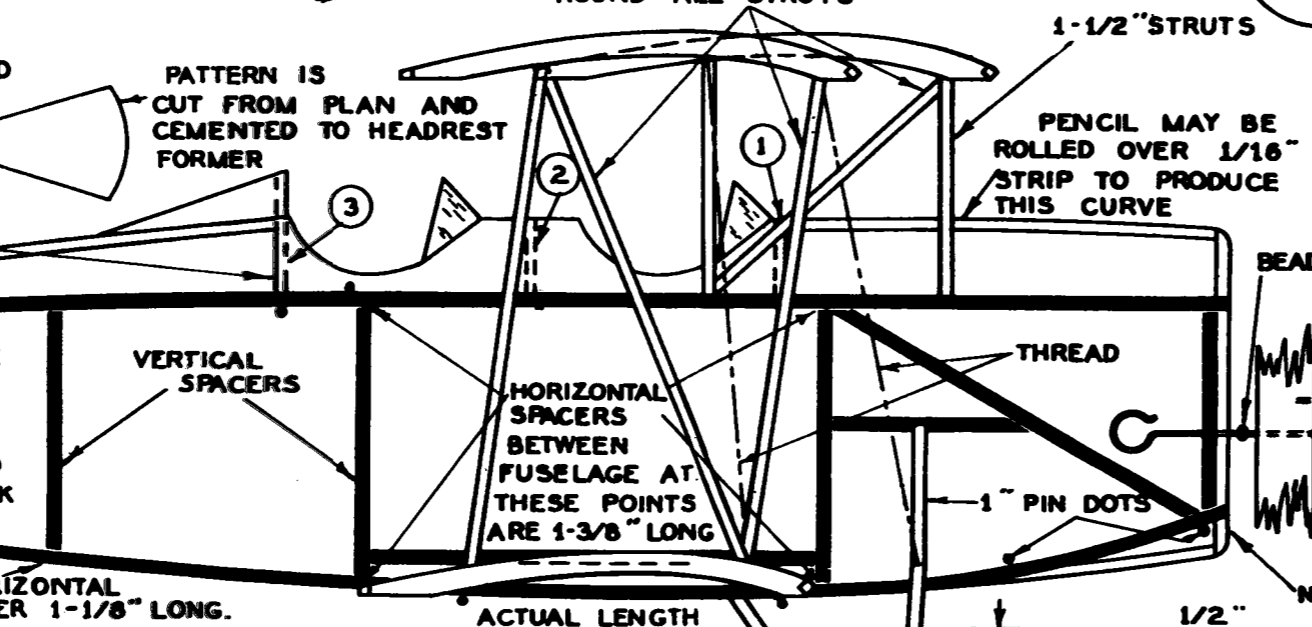
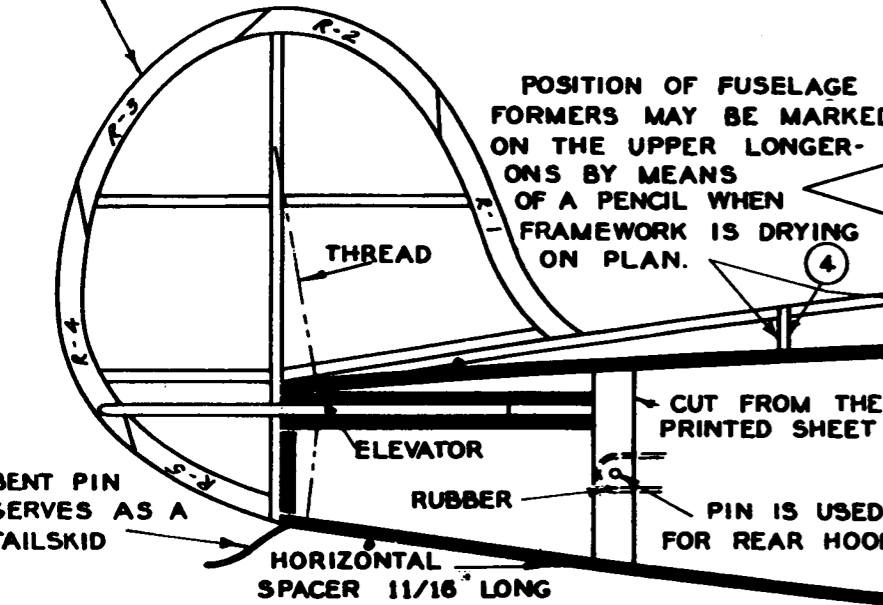


CENTER SPAR IS GLUED IN POSITION AFTER WING FRAMEWORK HAS BEEN REMOVED FROM PLAN.



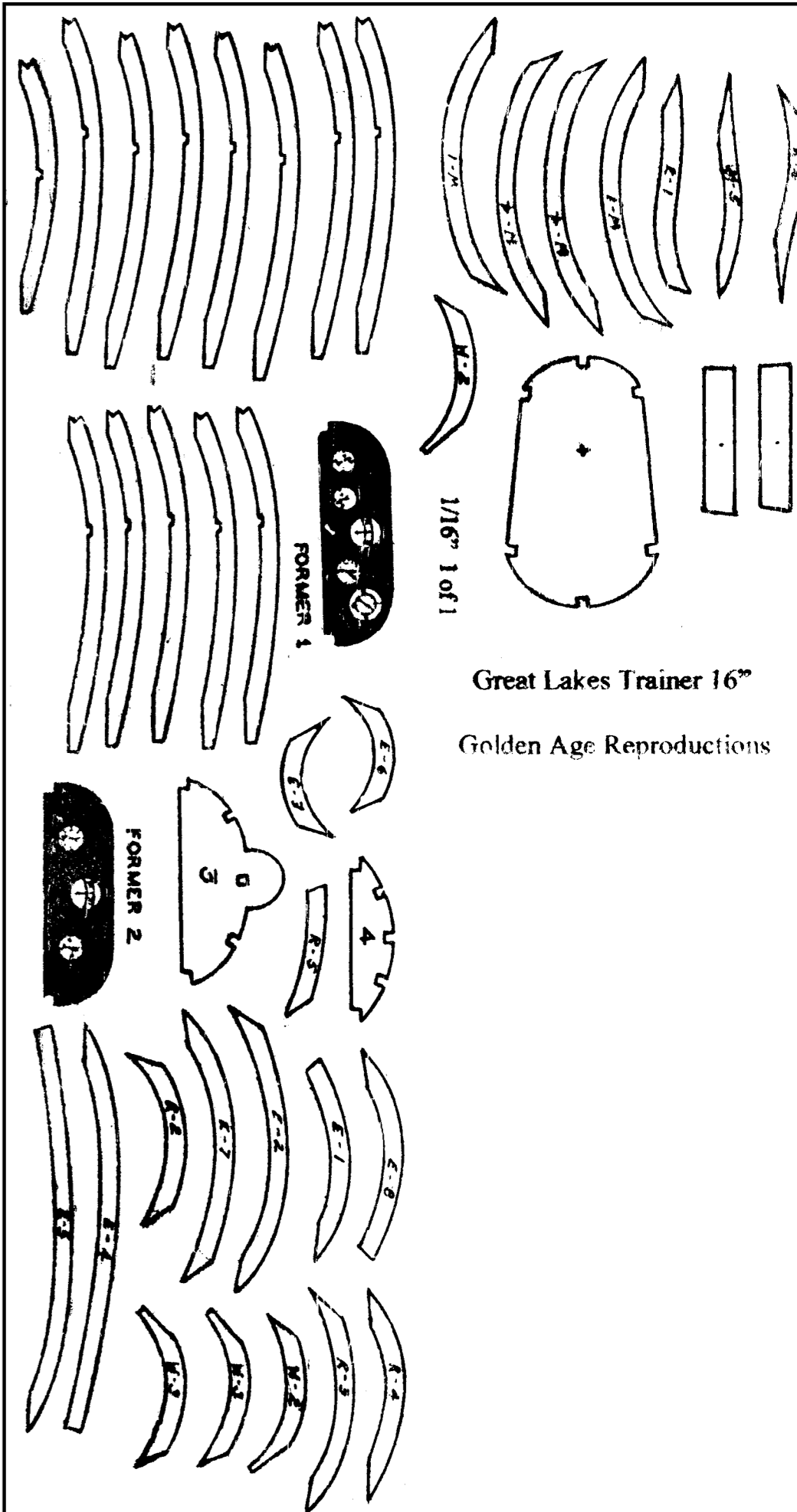
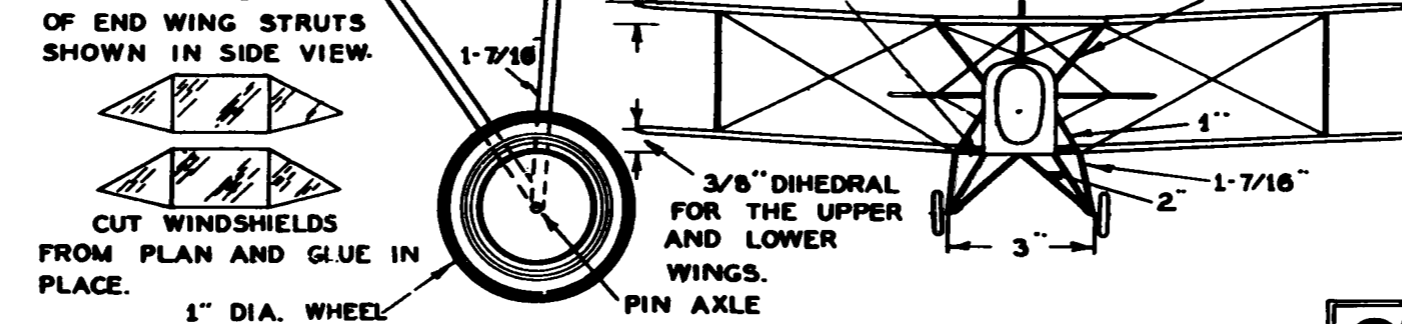
RUDDER IS GLUED TO MODEL AFTER ELEVATOR IS CEMENTED IN PLACE BETWEEN 1/16" SQ. STRIPS

RAZOR BLADE BROKEN TO ABOVE PATTERN MAKES A HANDY TOOL FOR CUTTING NOTCHES ETC.



LICENSE NUMERALS ARE CUT FROM PLAN AND CEMENTED TO TOP OF UPPER WING.

# NC14021



Great Lakes Trainer 16"  
Golden Age Reproductions

**GREAT LAKES TRAINER**  
WINGSPAN - 16" LENGTH 11"