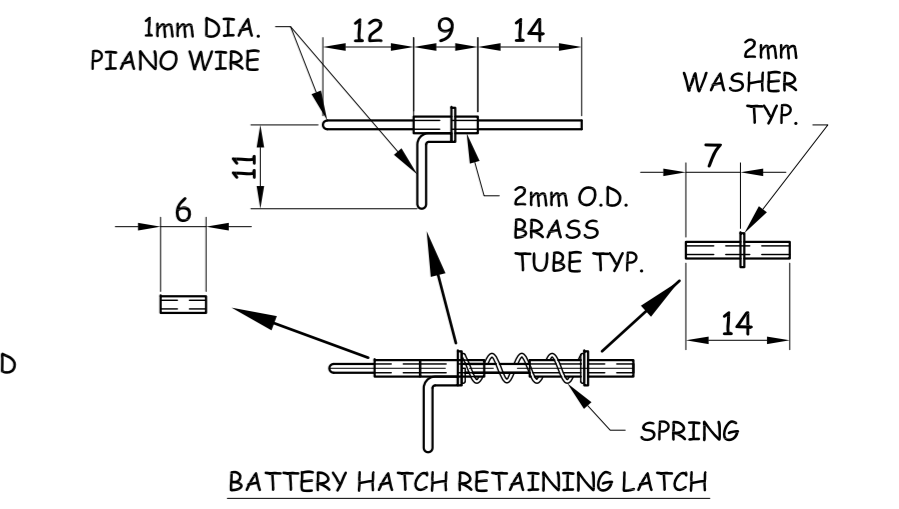
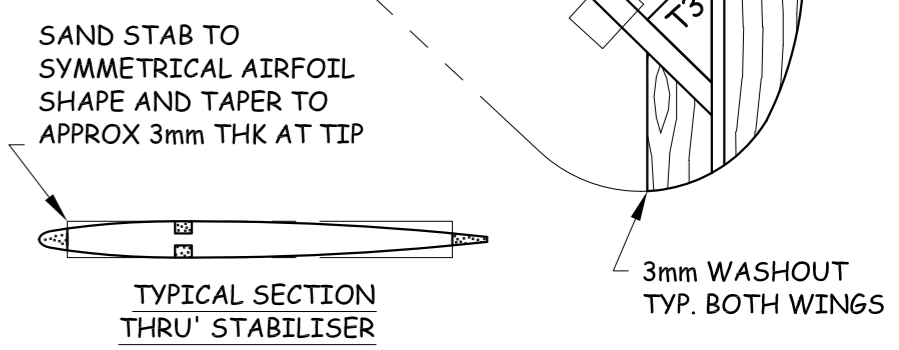
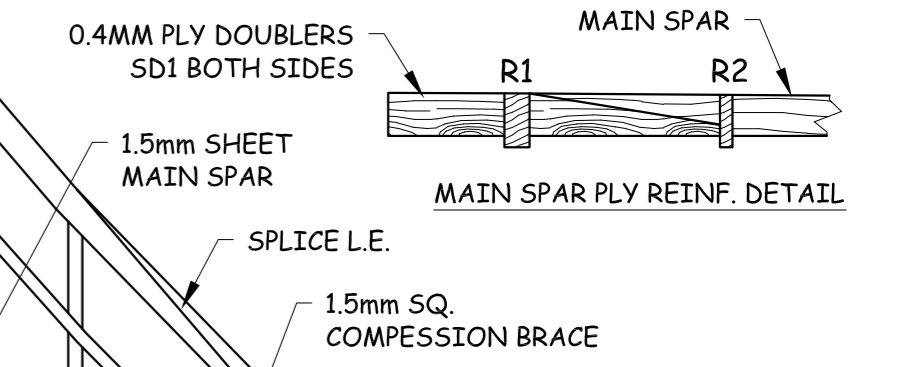
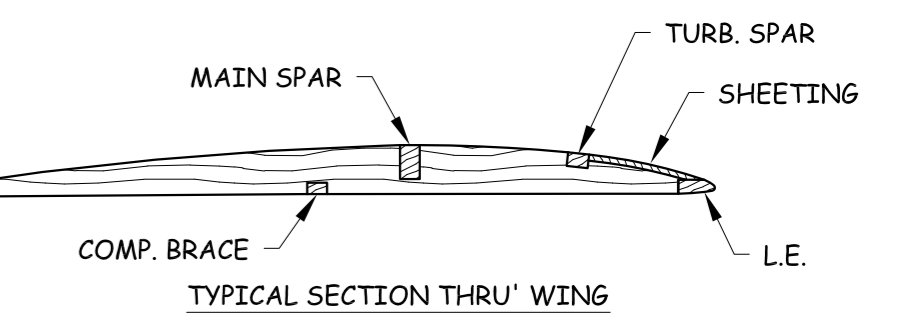
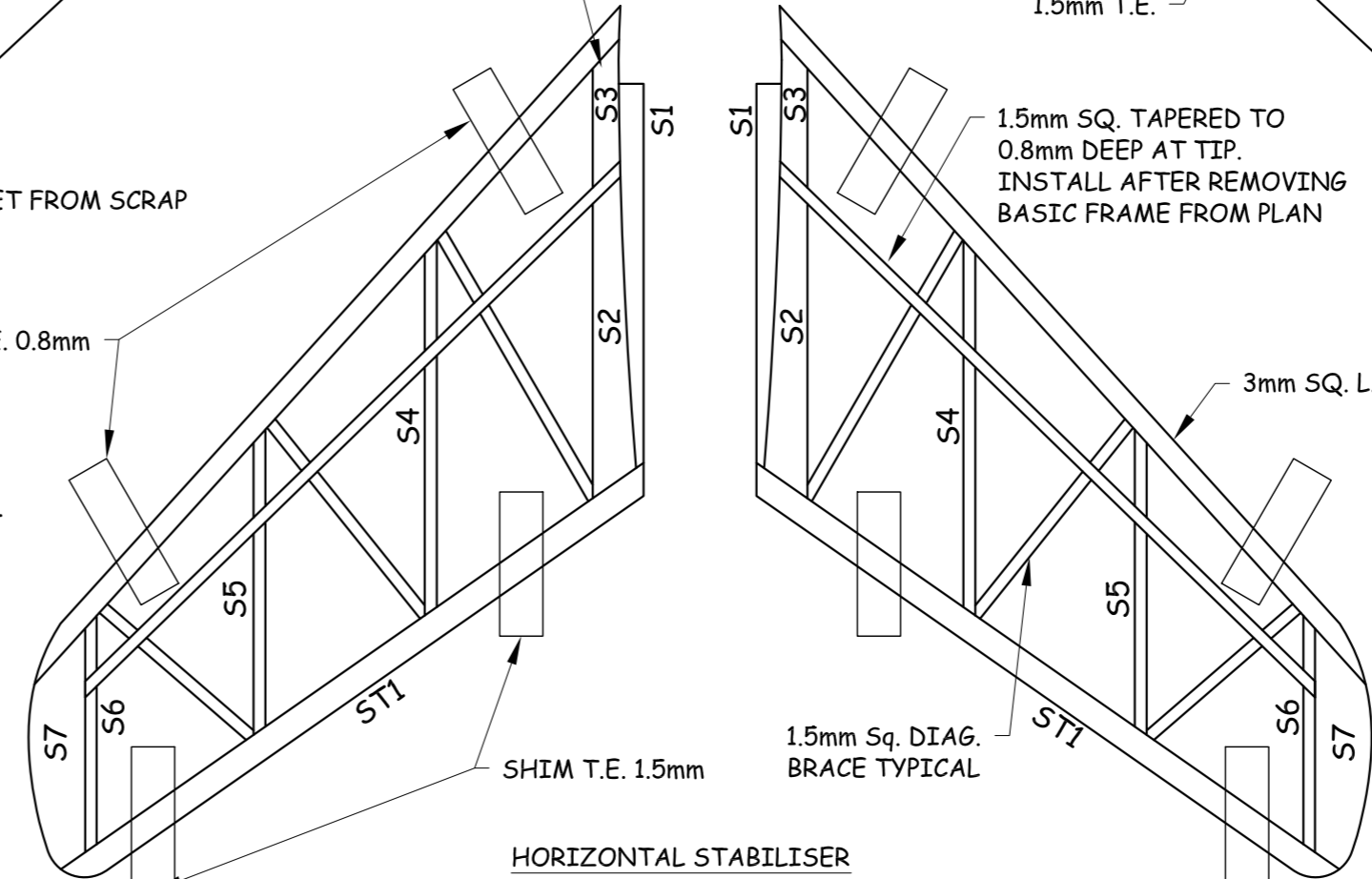
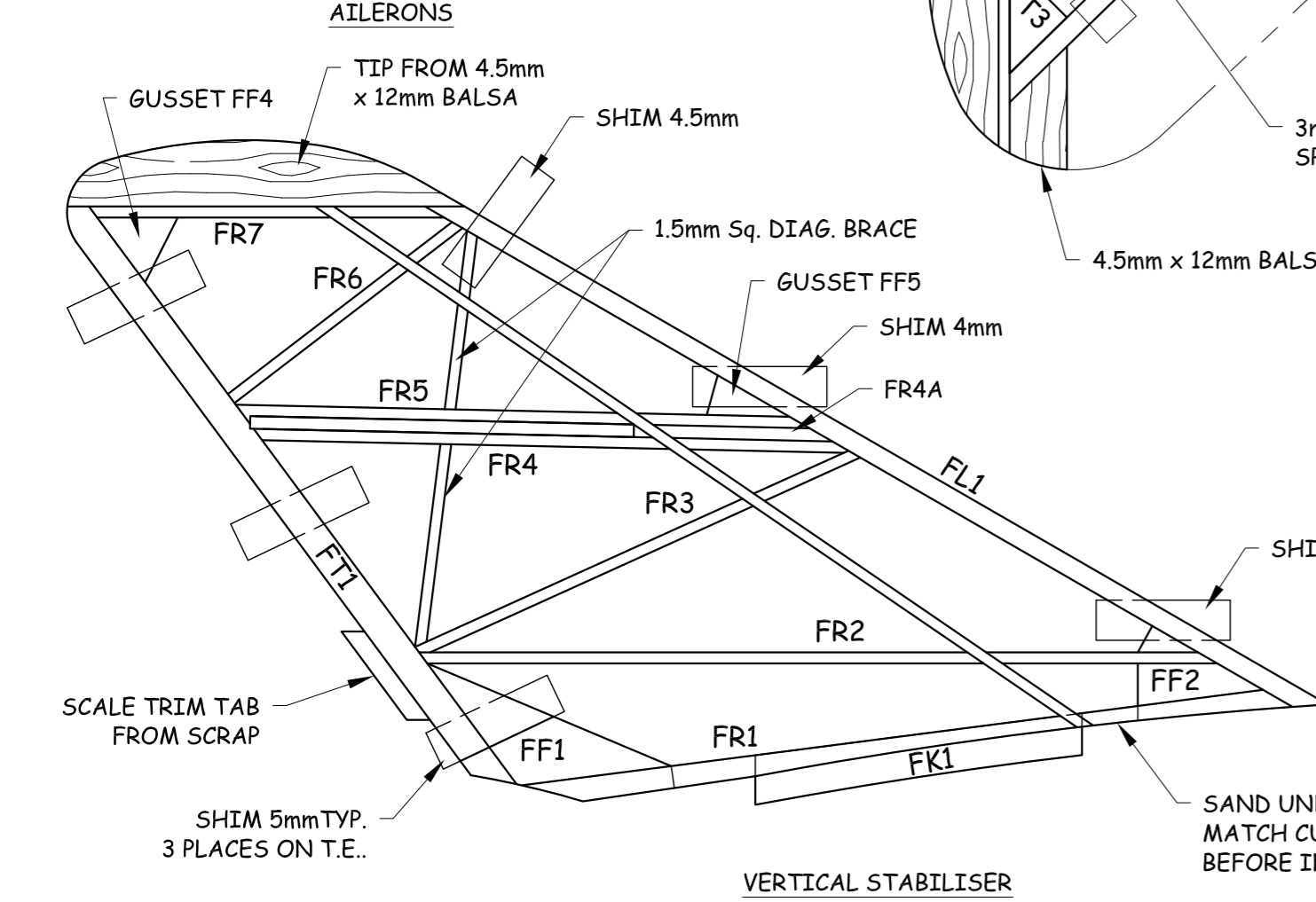
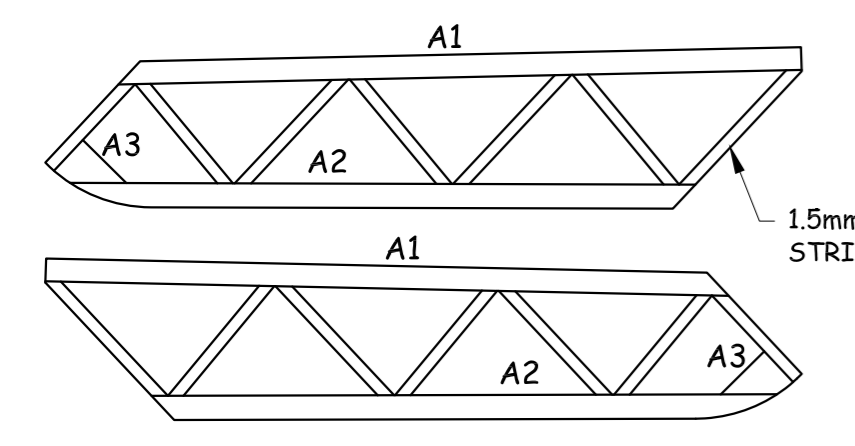
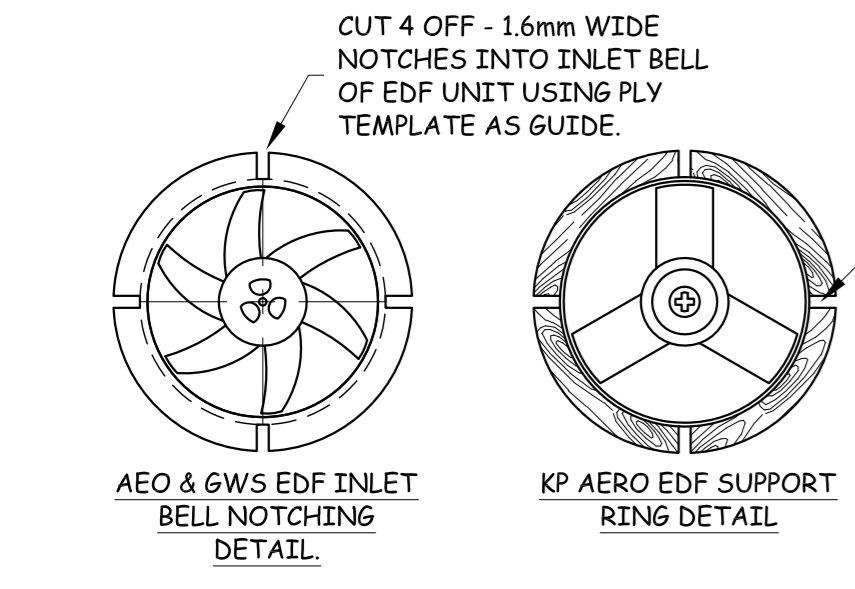
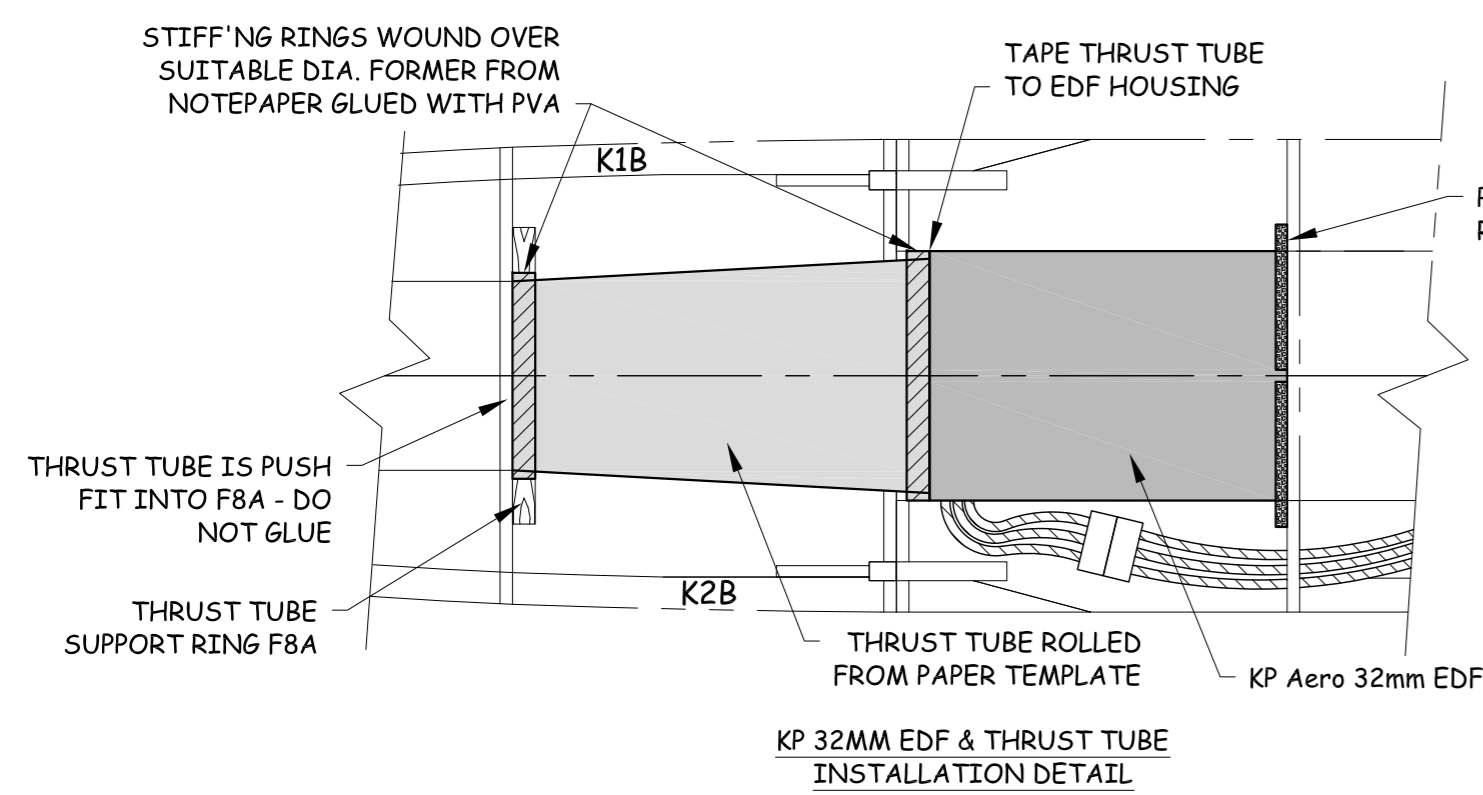
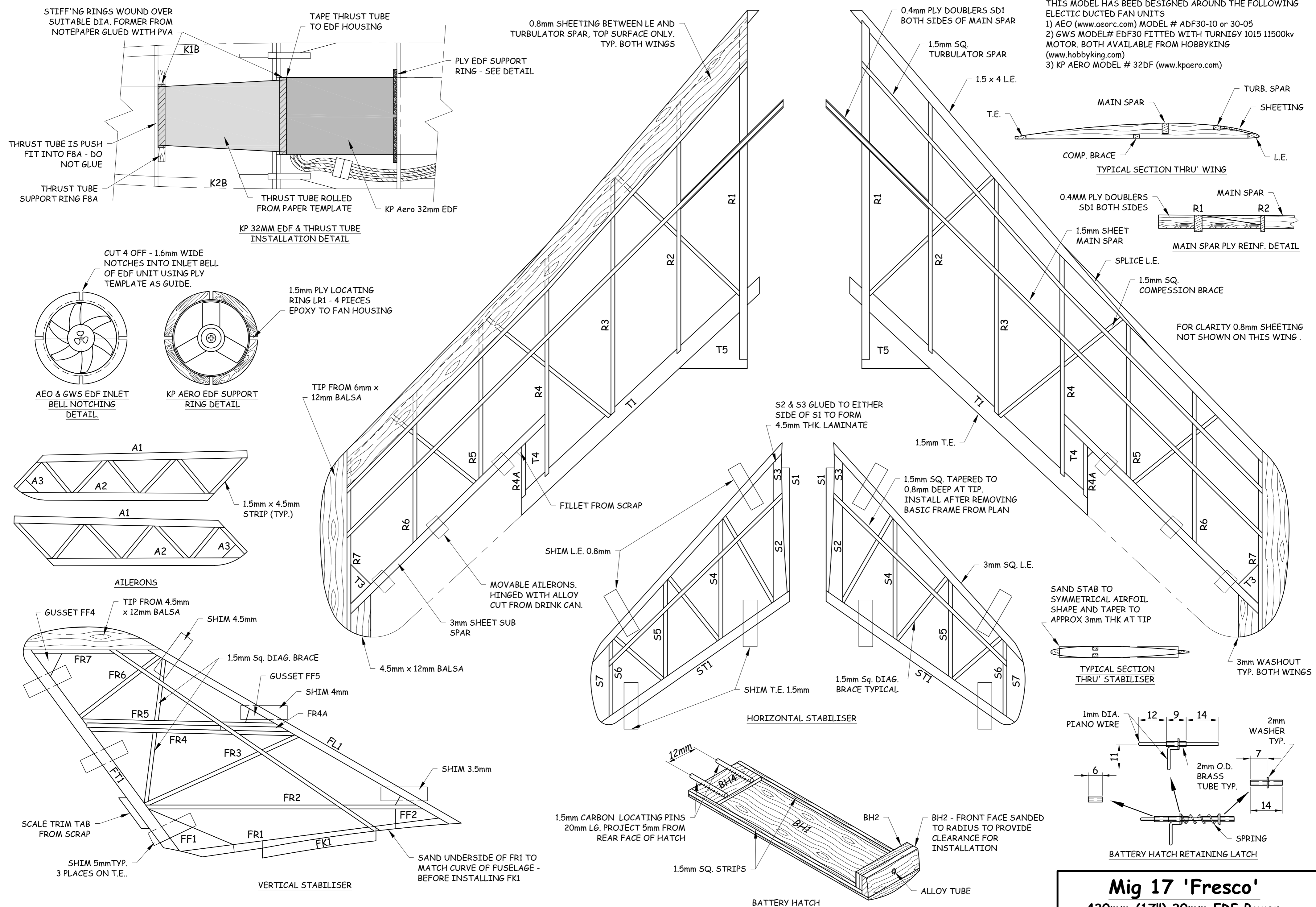


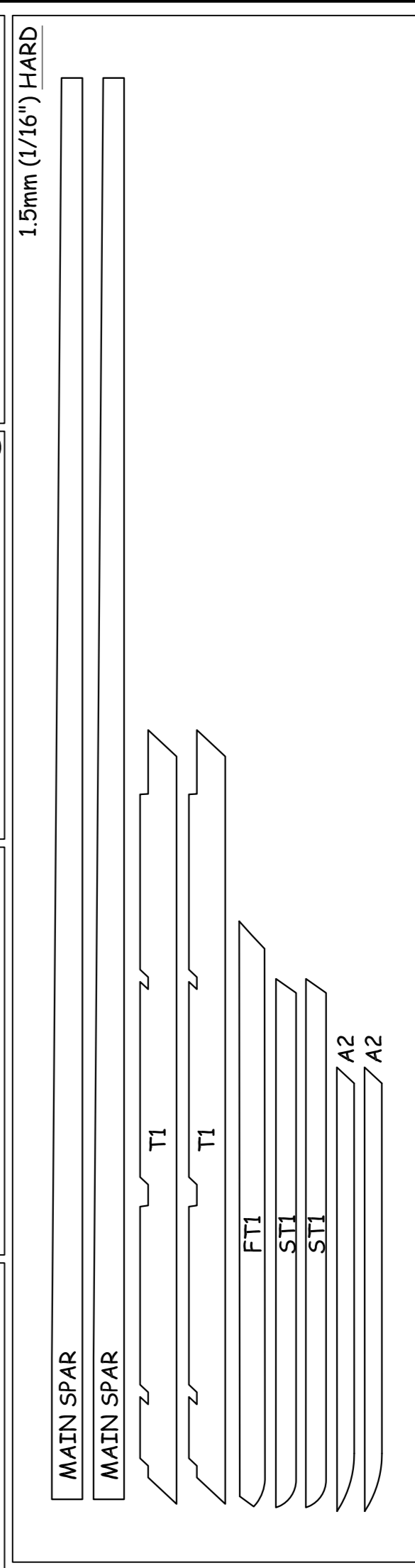
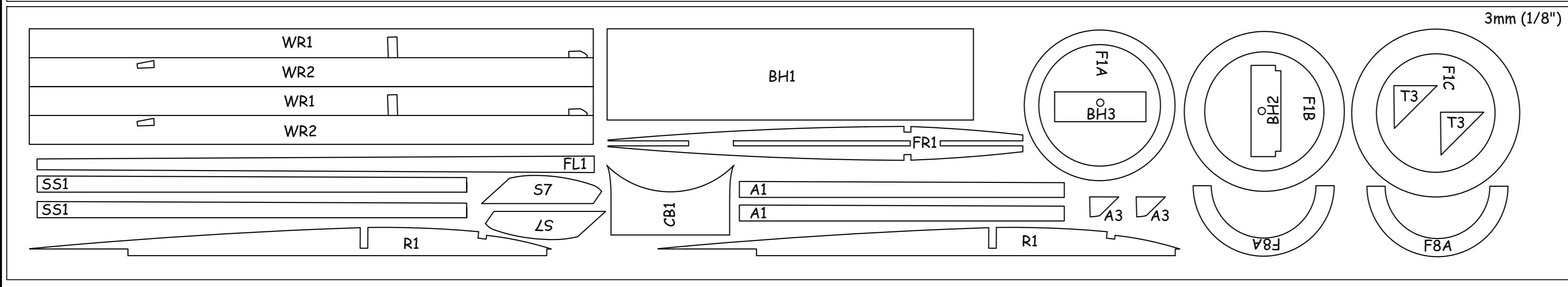
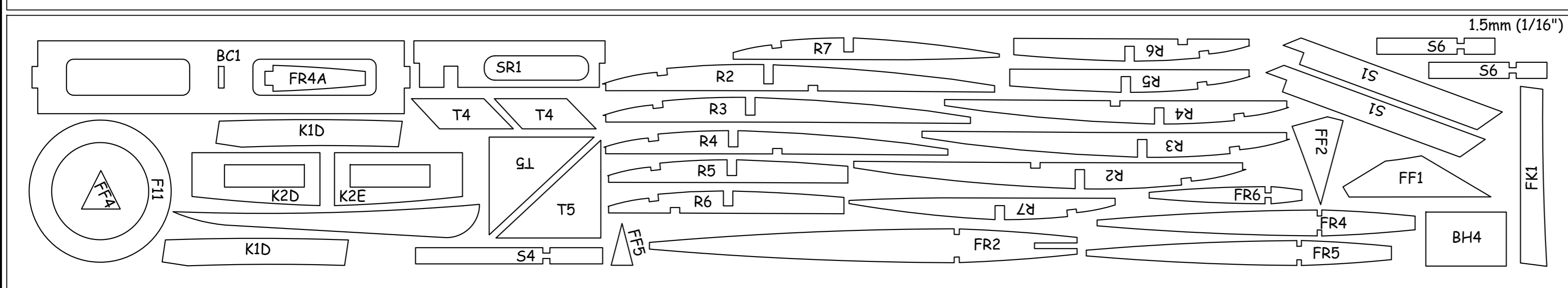
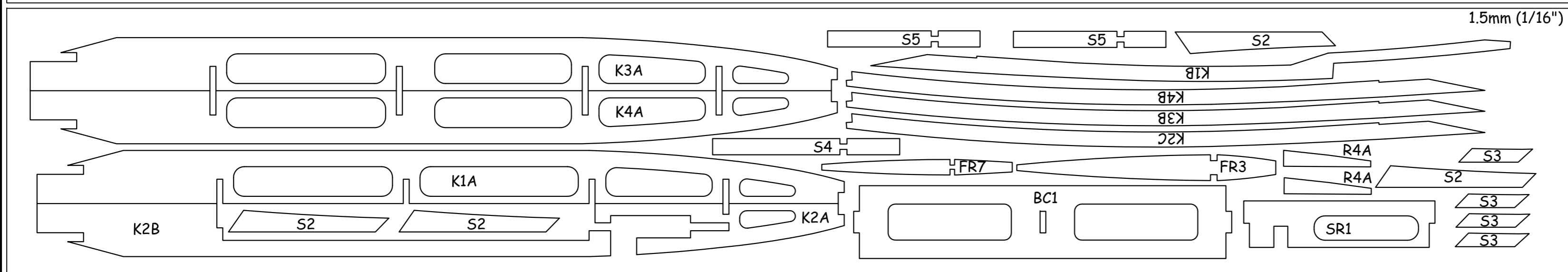
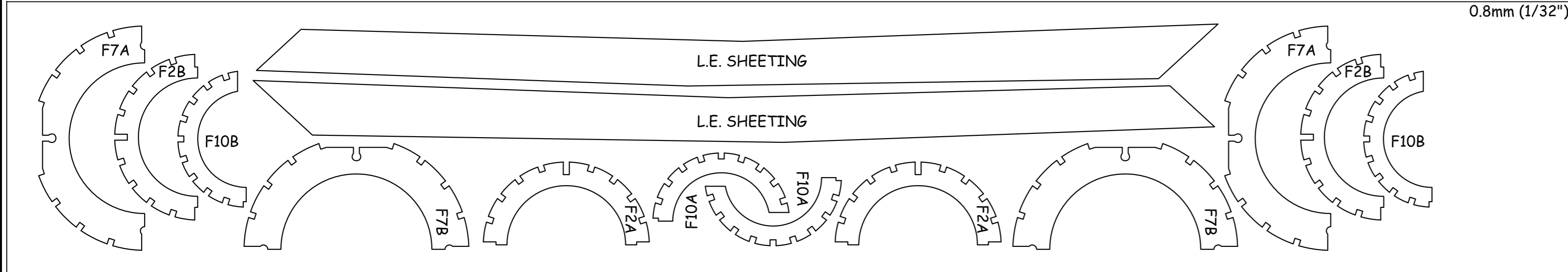
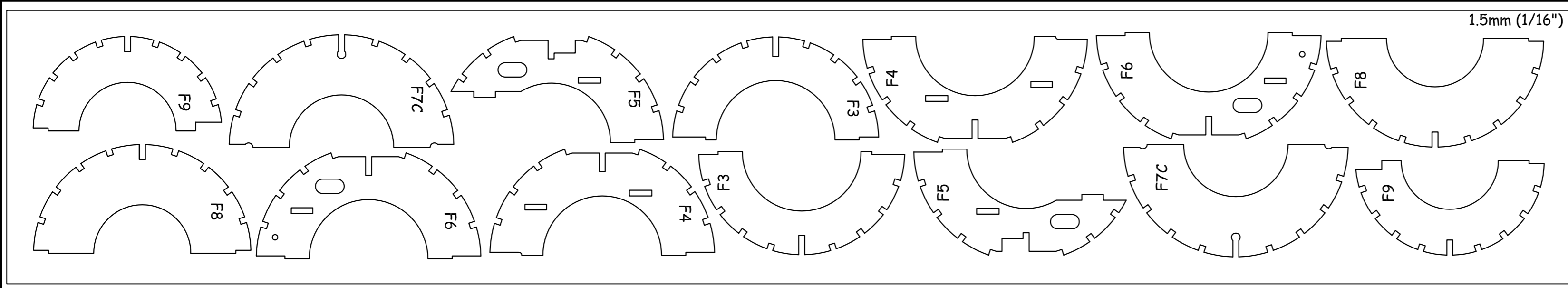
**Mig 17 'Fresco'**  
 430mm (17") 30mm EDF Power  
 SHEET 1 OF 2 Drawn by Steve Bage

THIS MODEL HAS BEEN DESIGNED AROUND THE FOLLOWING ELECTRIC DUCTED FAN UNITS  
 1) AEO (www.aeorc.com) MODEL # ADF30-10 or 30-05  
 2) GWS MODEL # EDF30 FITTED WITH TURNIGY 1015 11500kv MOTOR. BOTH AVAILABLE FROM HOBBYKING (www.hobbyking.com)  
 3) KP AERO MODEL # 32DF (www.kpaero.com)



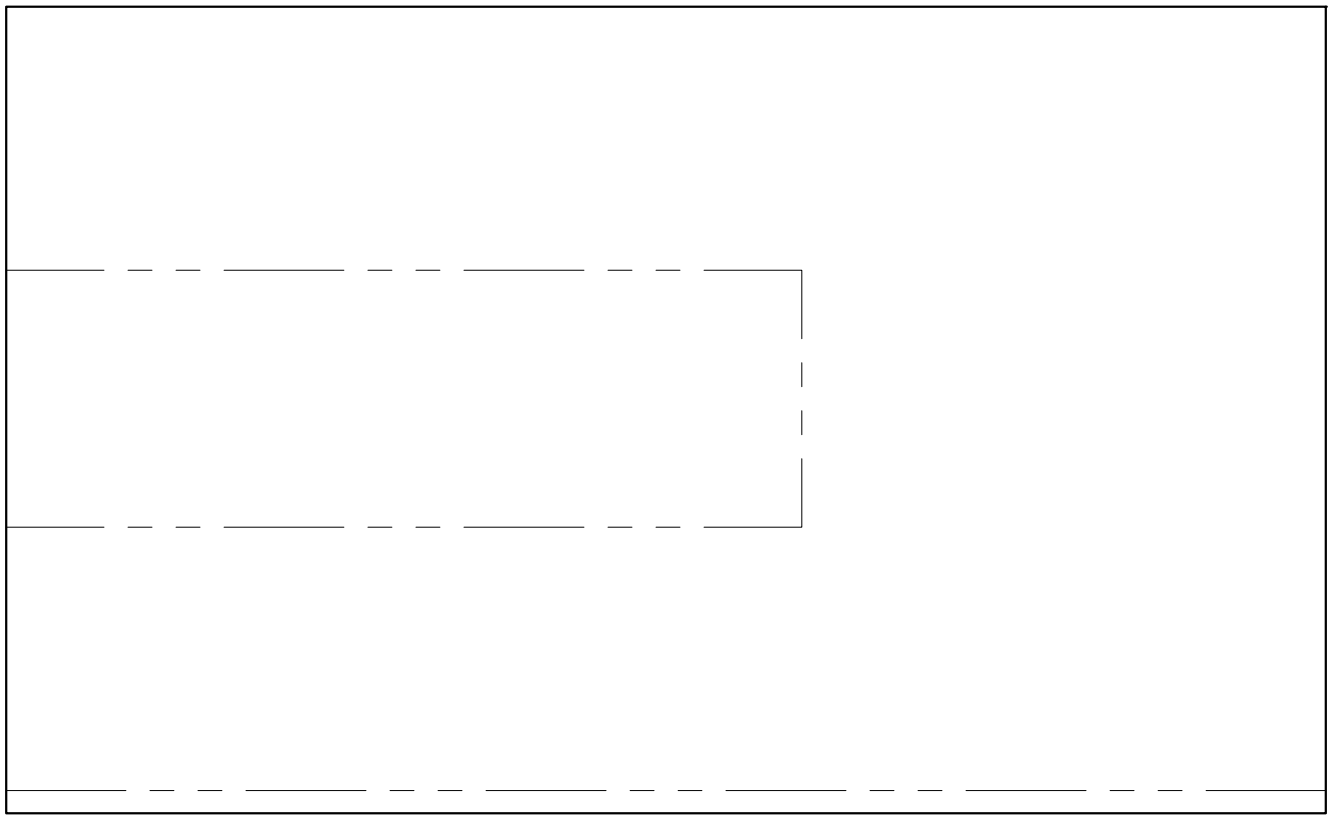
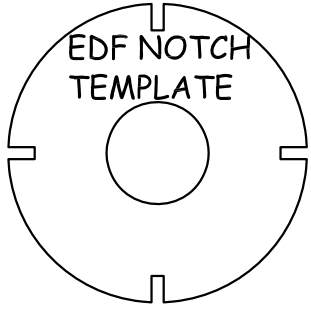
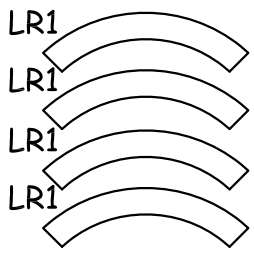
**Mig 17 'Fresco'**  
 430mm (17") 30mm EDF Power  
 SHEET 2 OF 2 Drawn by Steve Bage





1.5mm (1/16") PLY

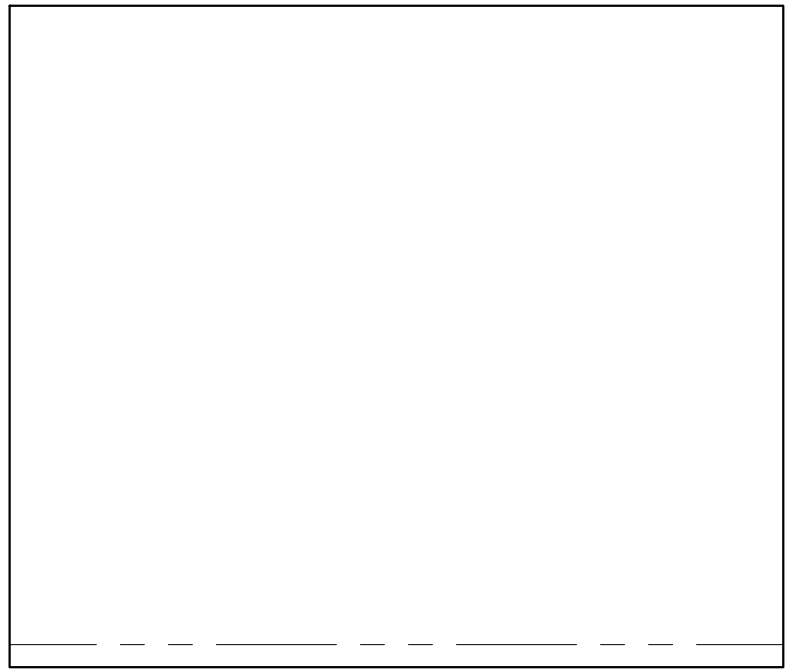
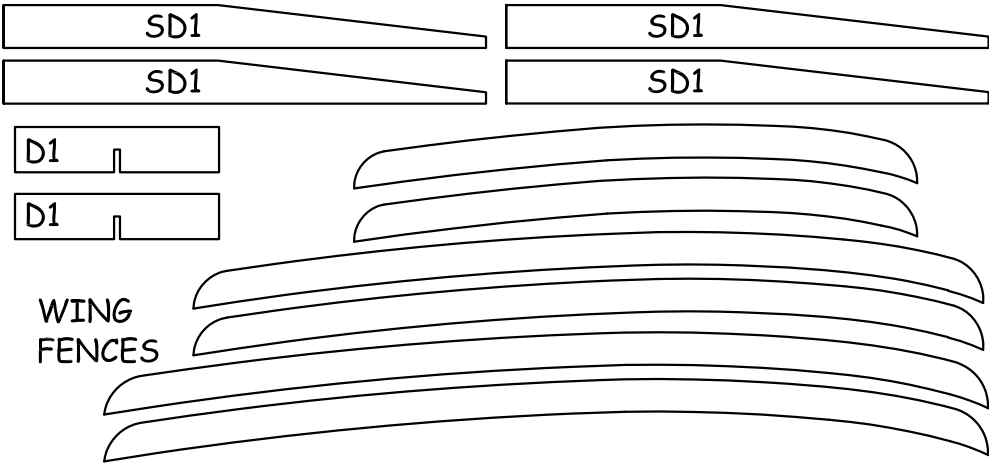
GRAIN



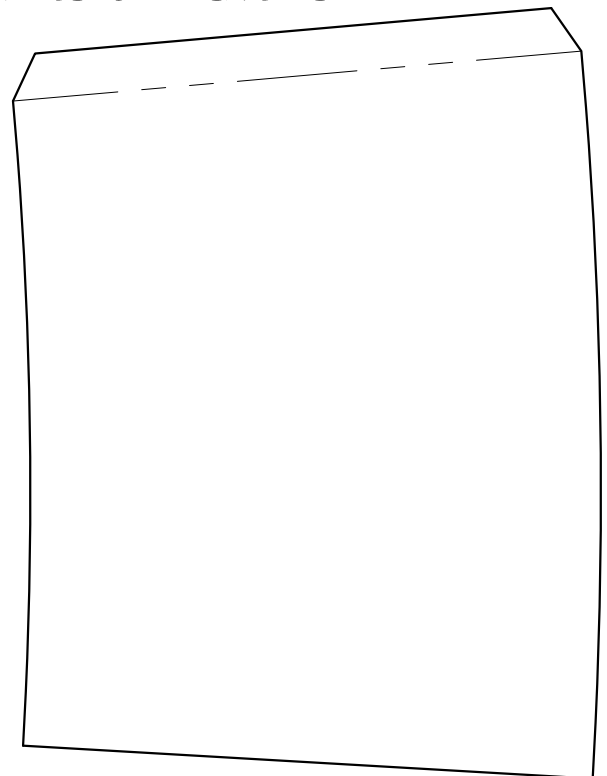
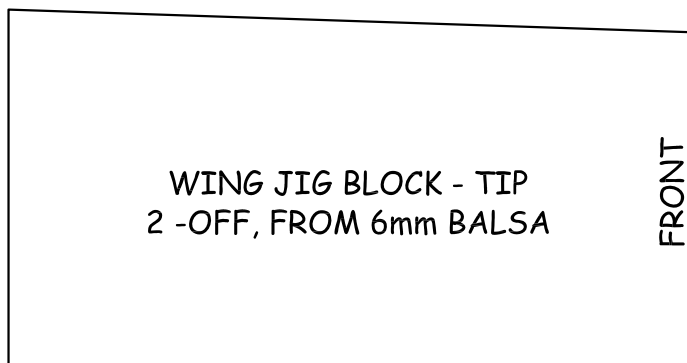
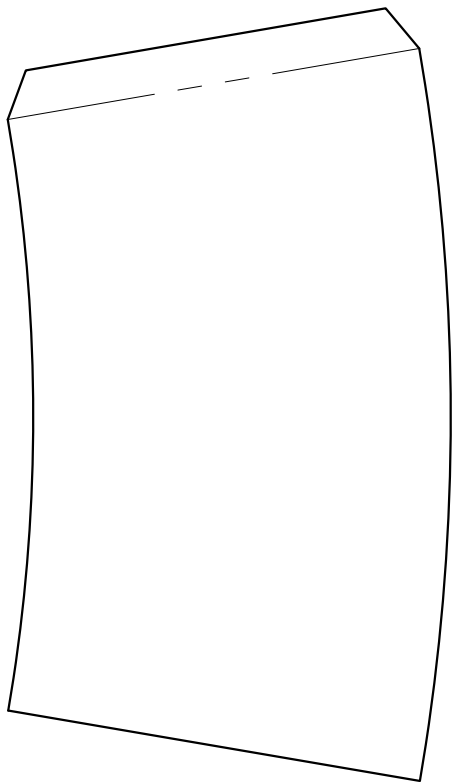
INLET DUCT TEMPLATE  
DOUBLE THICKNESS IN BATTERY COMPARTMENT AREA (SHOWN CHAIN DOTTED)

0.4mm (1/64") PLY

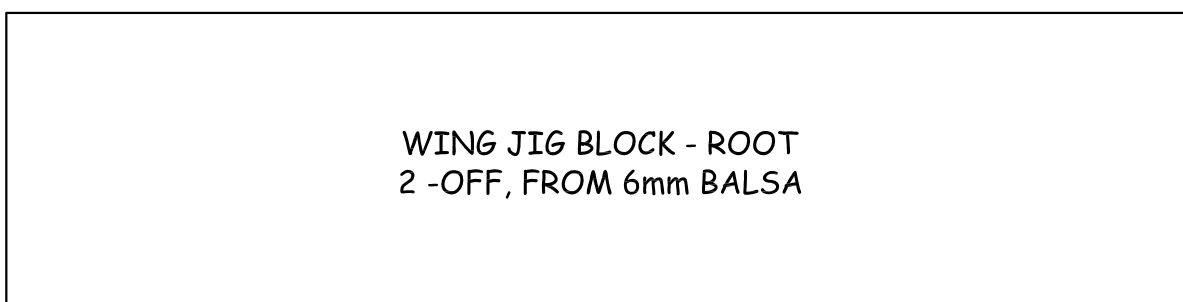
GRAIN



OUTLET DUCT TEMPLATE



THRUST TUBE FOR GWS & AEO FAN



THRUST TUBE FOR KP AERO FAN