

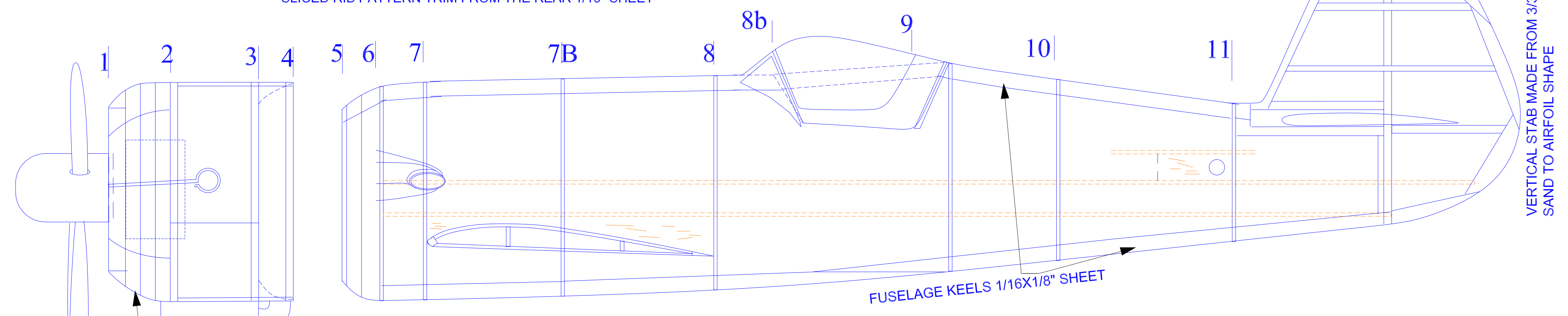
TRAILING EDGE 1/16X3/32 SHEET Balsa

LEADING EDGE 1/8" SQ

TRUSS MEMBERS 1/32" Balsa SHEET TAPER TO MATCH RIBS

SLICED RIB PATTERN TRIM FROM THE REAR 1/16" SHEET

FRONT SPAR 1/16" Balsa TAPER FROM 5/16 TO 1/16  
REAR SPAR 1/16" Balsa TAPER FROM 5/32 TO 1/16

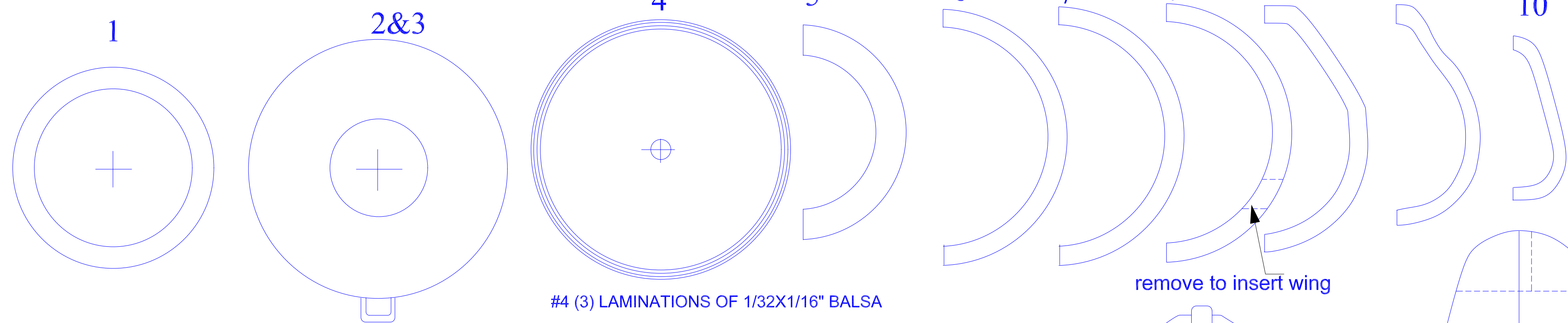


COWL LAMINATIONS 1/8" Balsa DISCS CROSS GRAIN

FUSELAGE FORMERS FROM 1/16" SHEET Balsa MAKE 2 EACH 5-10

FUSELAGE KEELS 1/16X1/8" SHEET

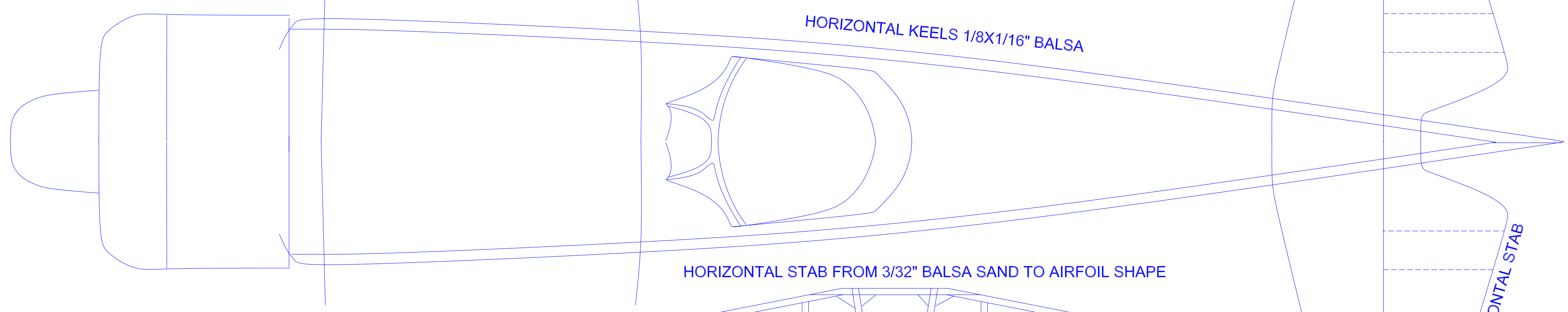
VERTICAL STAB MADE FROM 3/32" Balsa SAND TO AIRFOIL SHAPE



#4 (3) LAMINATIONS OF 1/32X1/16" Balsa

remove to insert wing

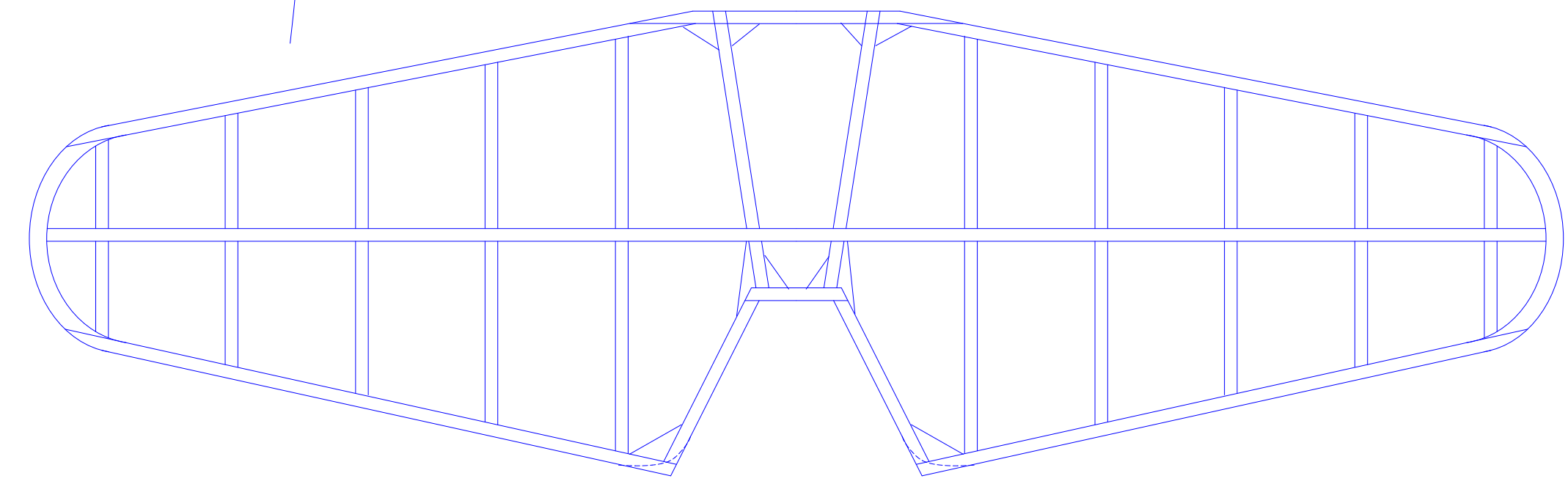
**NOT FOR RESALE**



HORIZONTAL KEELS 1/8X1/16" Balsa

HORIZONTAL STAB FROM 3/32" Balsa SAND TO AIRFOIL SHAPE

SCALE HORIZONTAL STAB



Industria Aeronautica Romana I.A.R.-80  
27 INCH SPAN DRAWN BY TOM AKERY 11 APRIL 2016  
DRAWN FROM 3 VIEW FOUND ON INTERNET  
FREE ONE TIME USE FOR MEMBERS OF S&T OR HPA  
ALL RIGHTS RESERVED