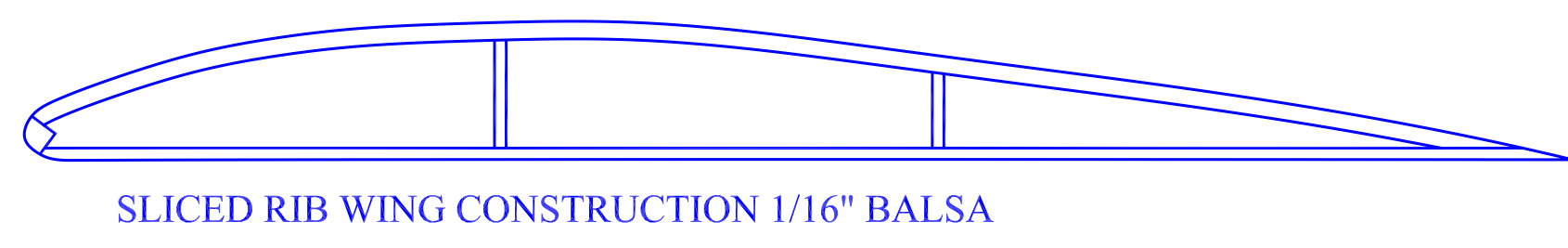
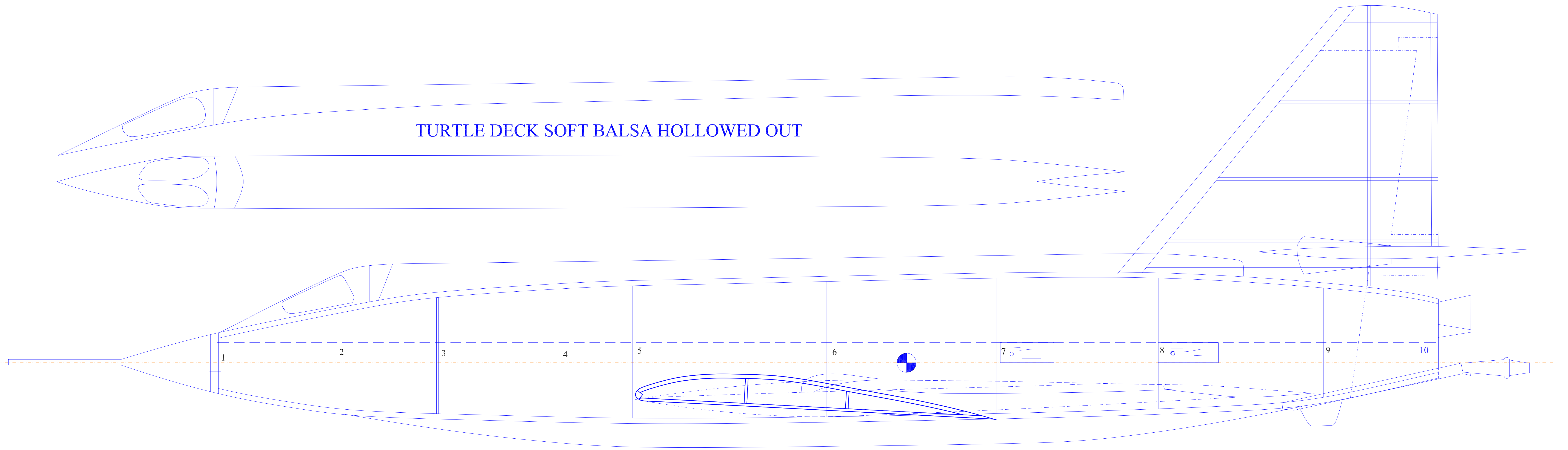
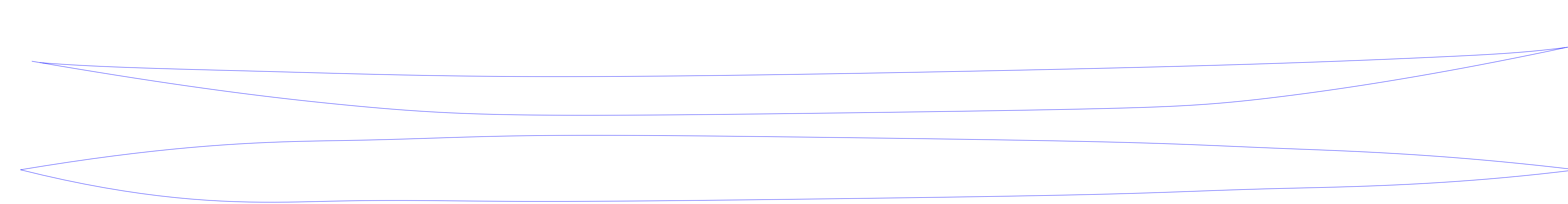


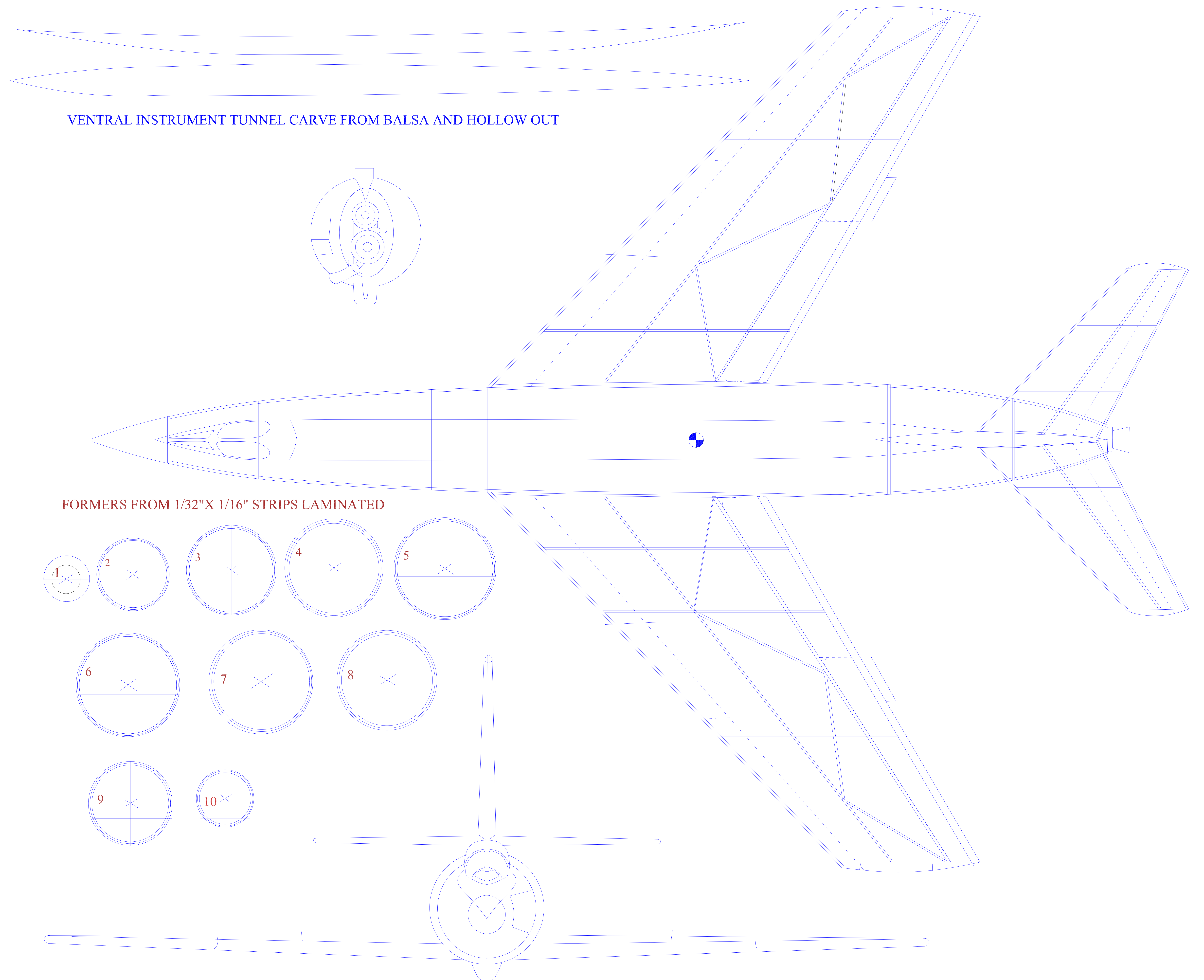
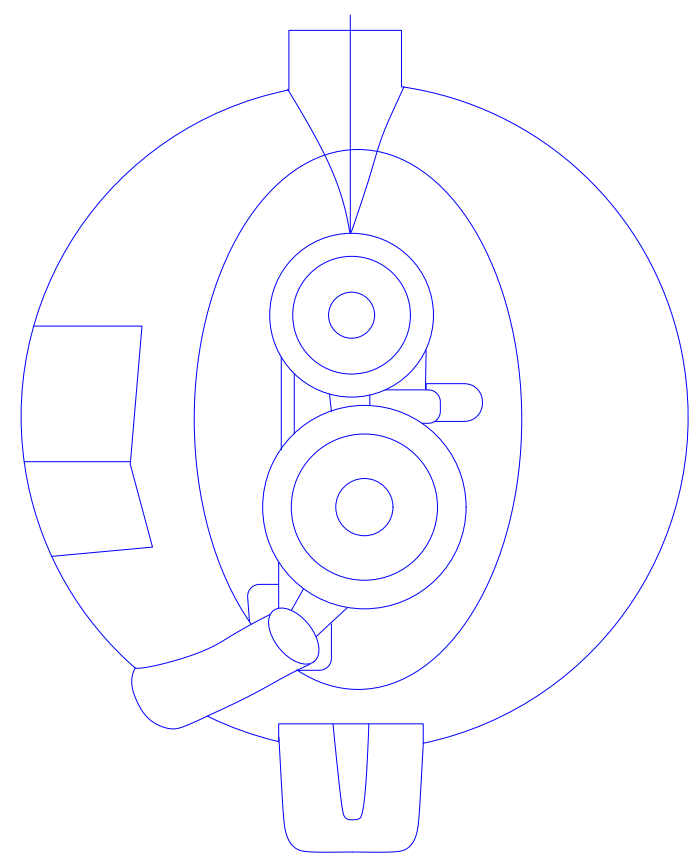
TURTLE DECK SOFT BALSA HOLLOWED OUT



SLICED RIB WING CONSTRUCTION 1/16" Balsa



VENTRAL INSTRUMENT TUNNEL CARVE FROM Balsa AND HOLLOW OUT



FORMERS FROM 1/32" X 1/16" STRIPS LAMINATED

