

# CONVAIR 640 NAPIER JET-PROP

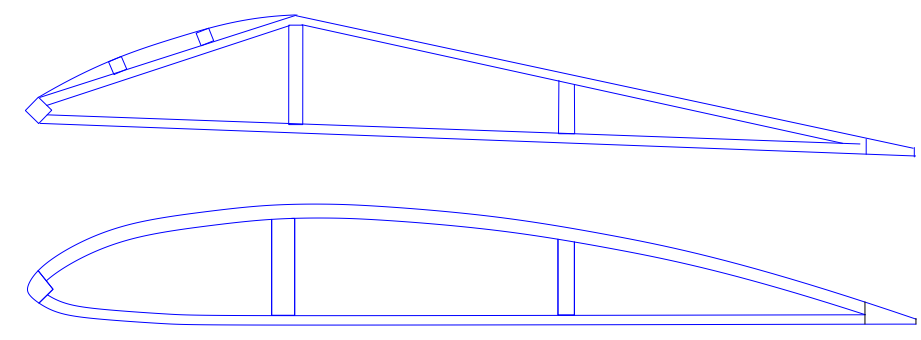
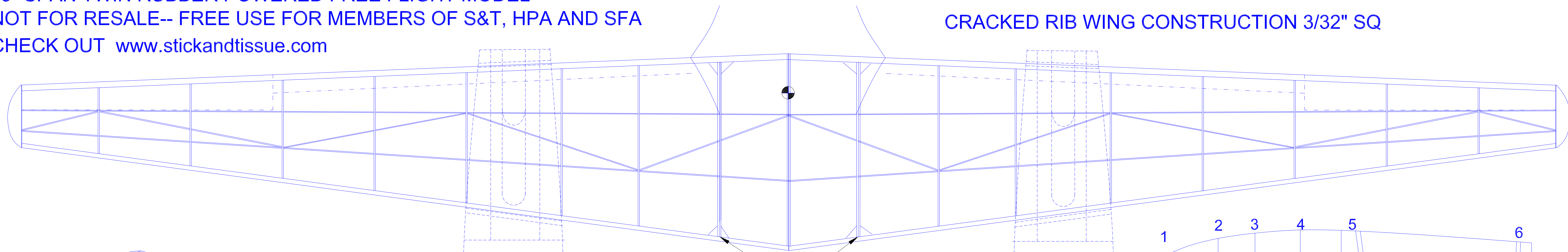
DRAWN BY TOM AKERY 23 JUNE 2017 FROM 3-VIEW ON NET

36" SPAN TWIN RUBBER POWERED FREE FLIGHT MODEL

NOT FOR RESALE-- FREE USE FOR MEMBERS OF S&T, HPA AND SFA

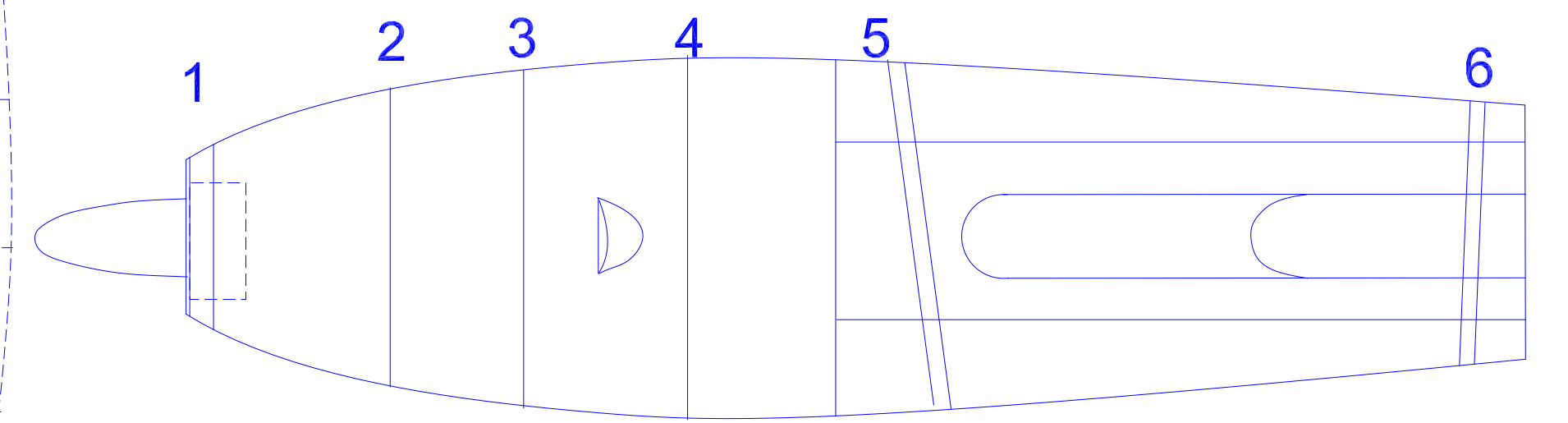
CHECK OUT [www.stickandtissue.com](http://www.stickandtissue.com)

CRACKED RIB WING CONSTRUCTION 3/32" SQ



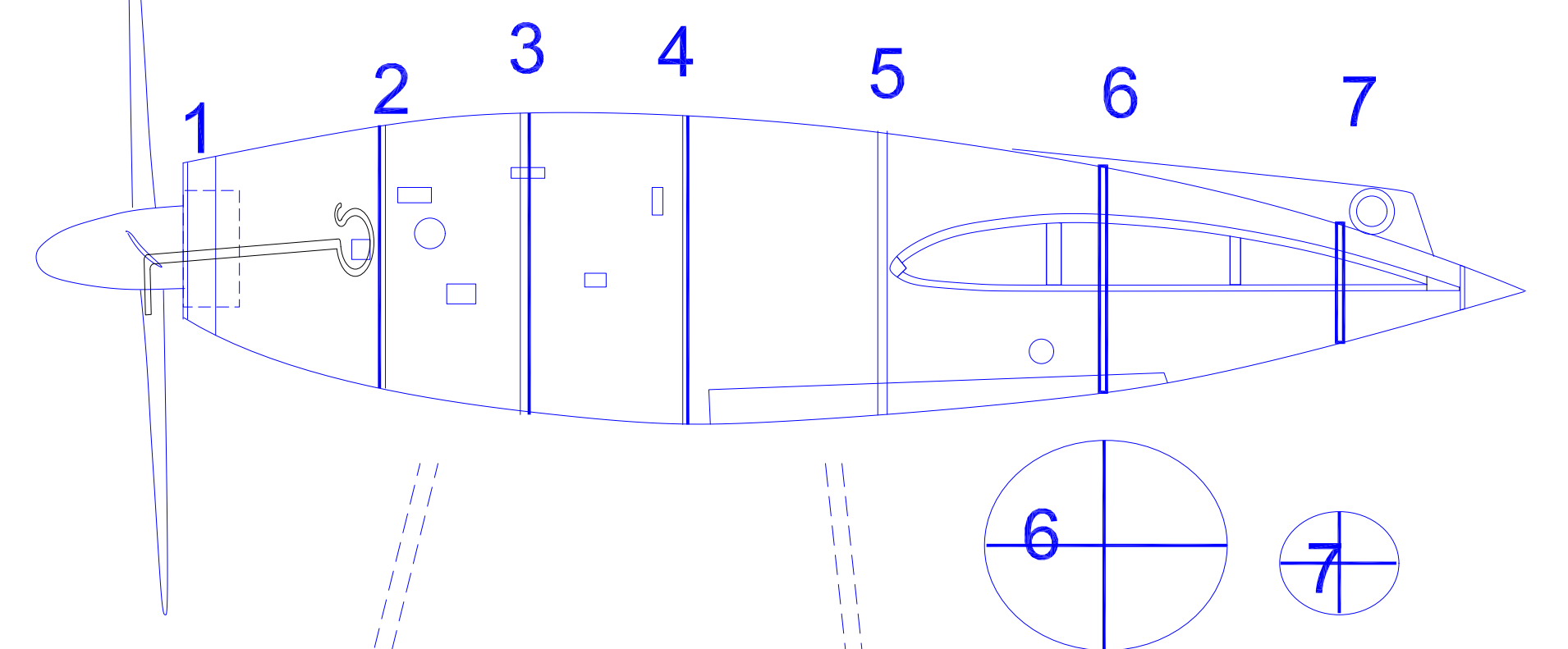
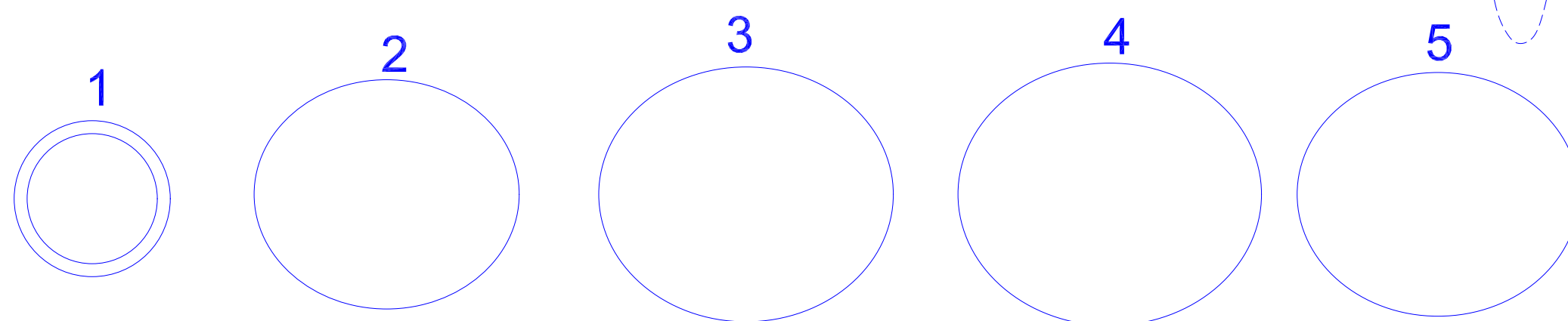
DIHEDRAL BREAK

SPARS FROM 1/16" HARD BALSA

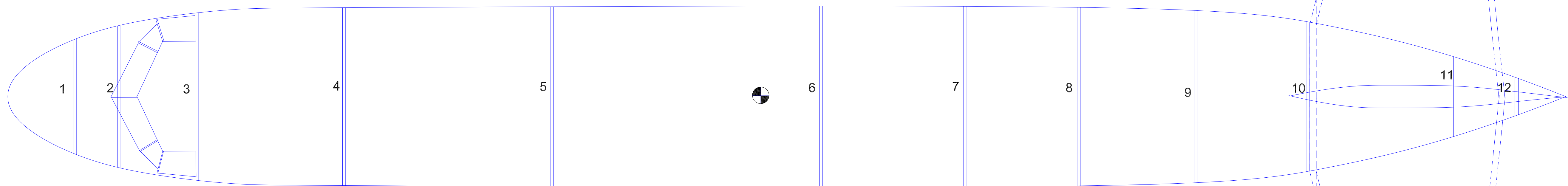


NAPIER ELAND JET-PROP ENGINE

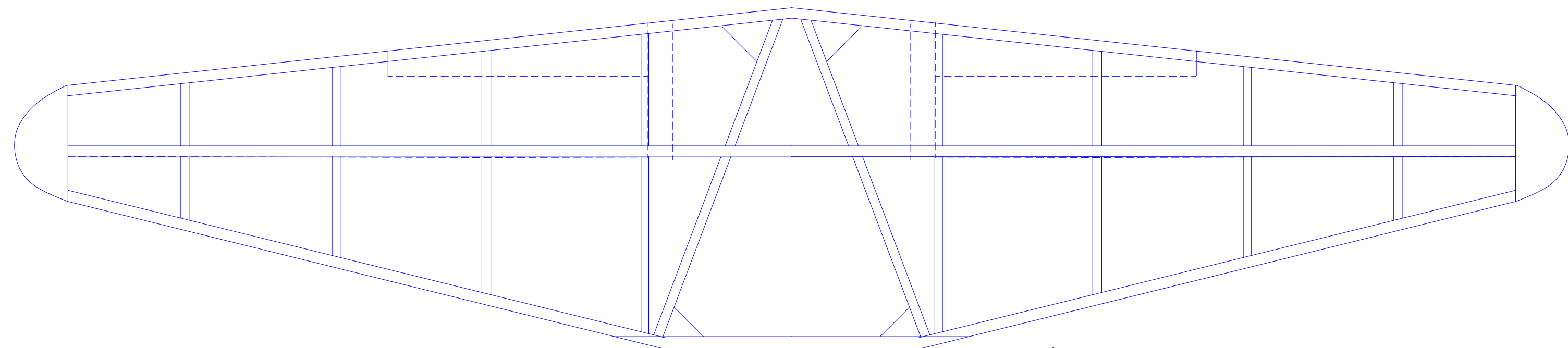
NACELLE FORMERS OUTLINE FOR REED FORMERS



BOTTOM OF NACELLE OPEN FOR RUBBER MOTOR



HORIZONTAL STAB 3/32" SQ ADD TOP RIB SAND TO AIRFOIL



VERTICAL STAB FROM 3/32"

