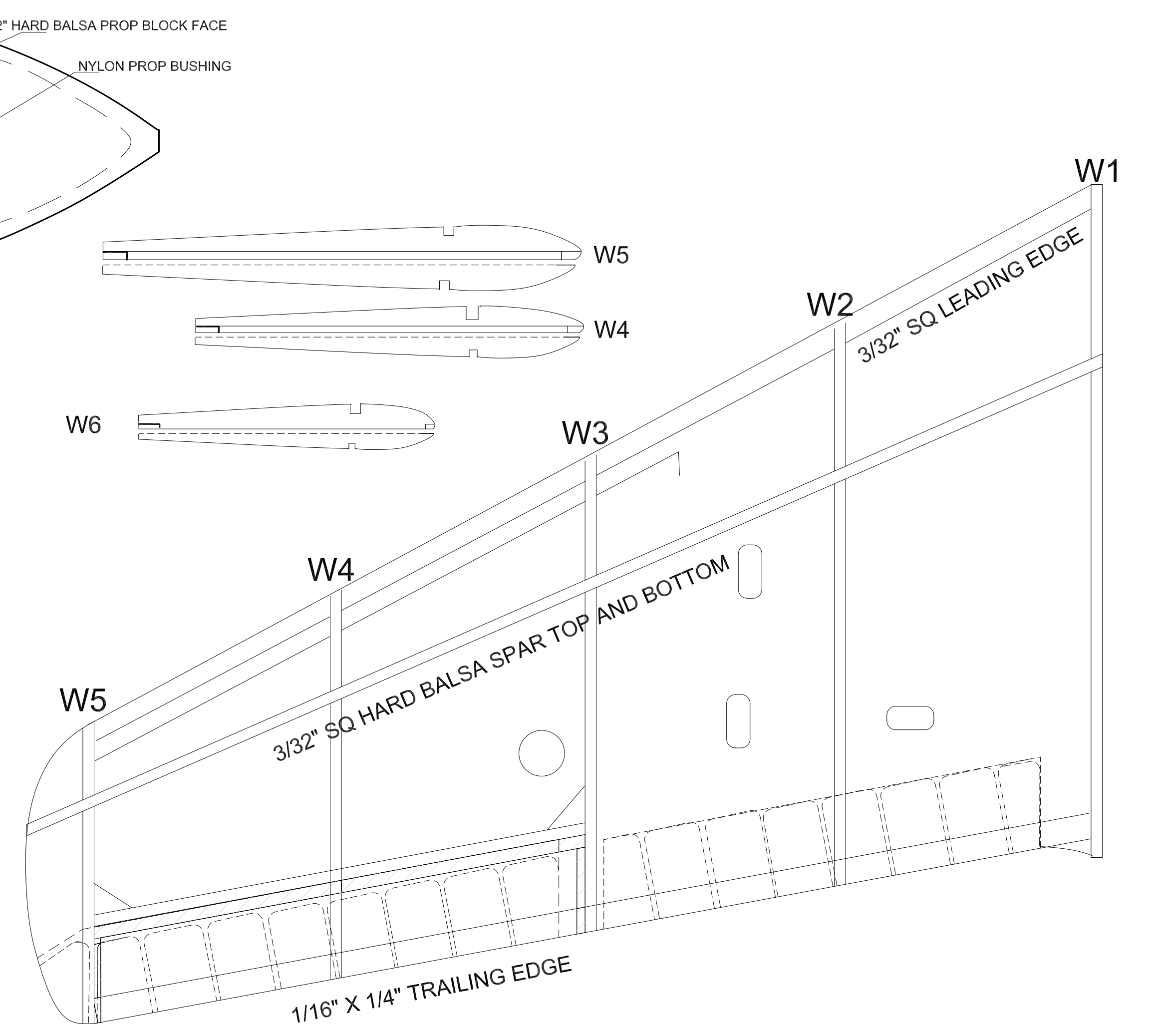
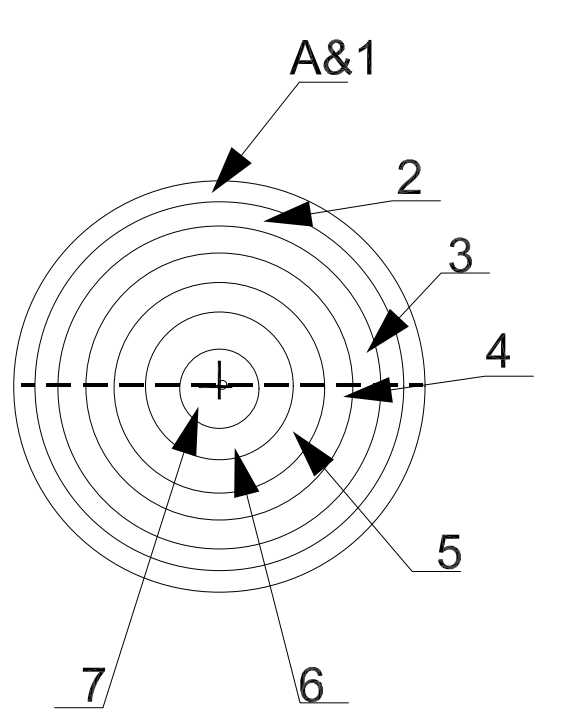
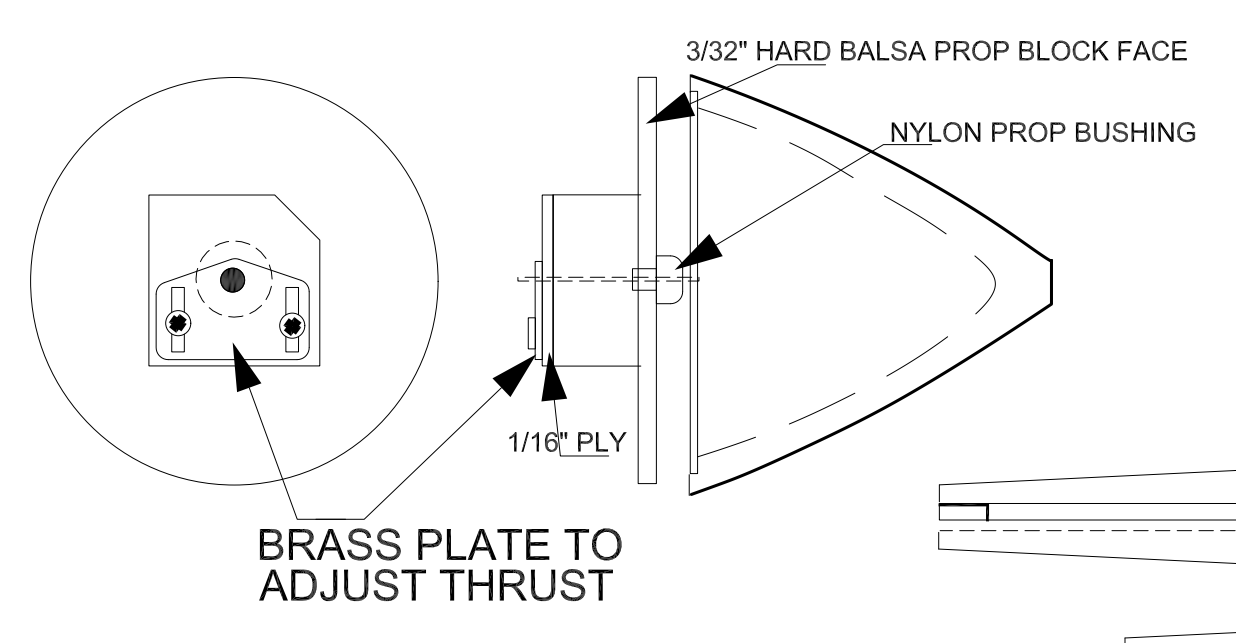
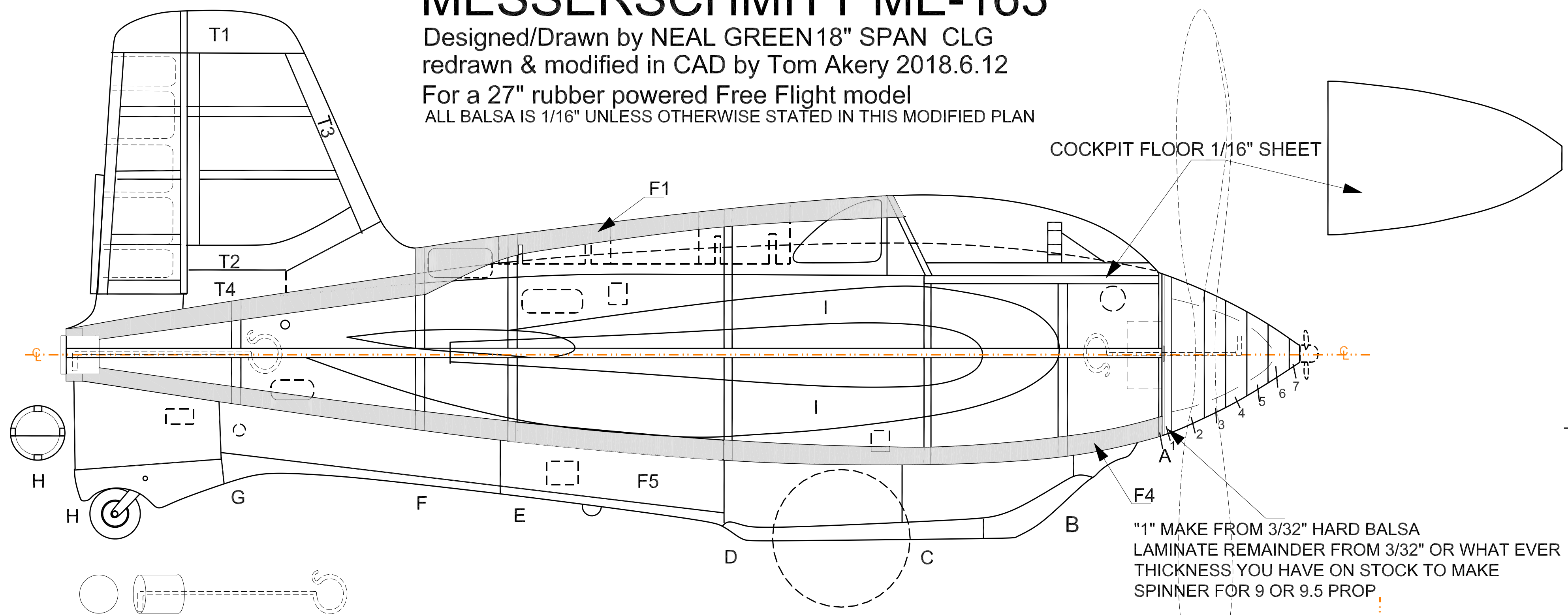


"A" IS 1/32 PLY

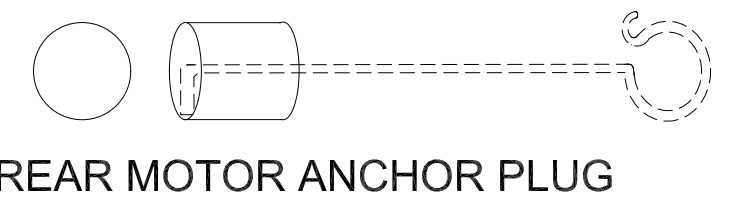


MESSERSCHMITT ME-163

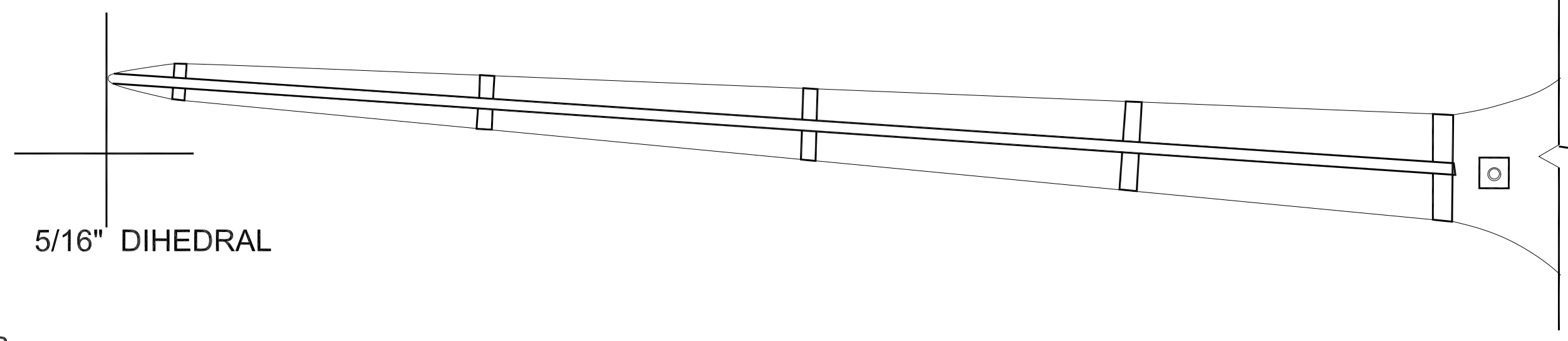
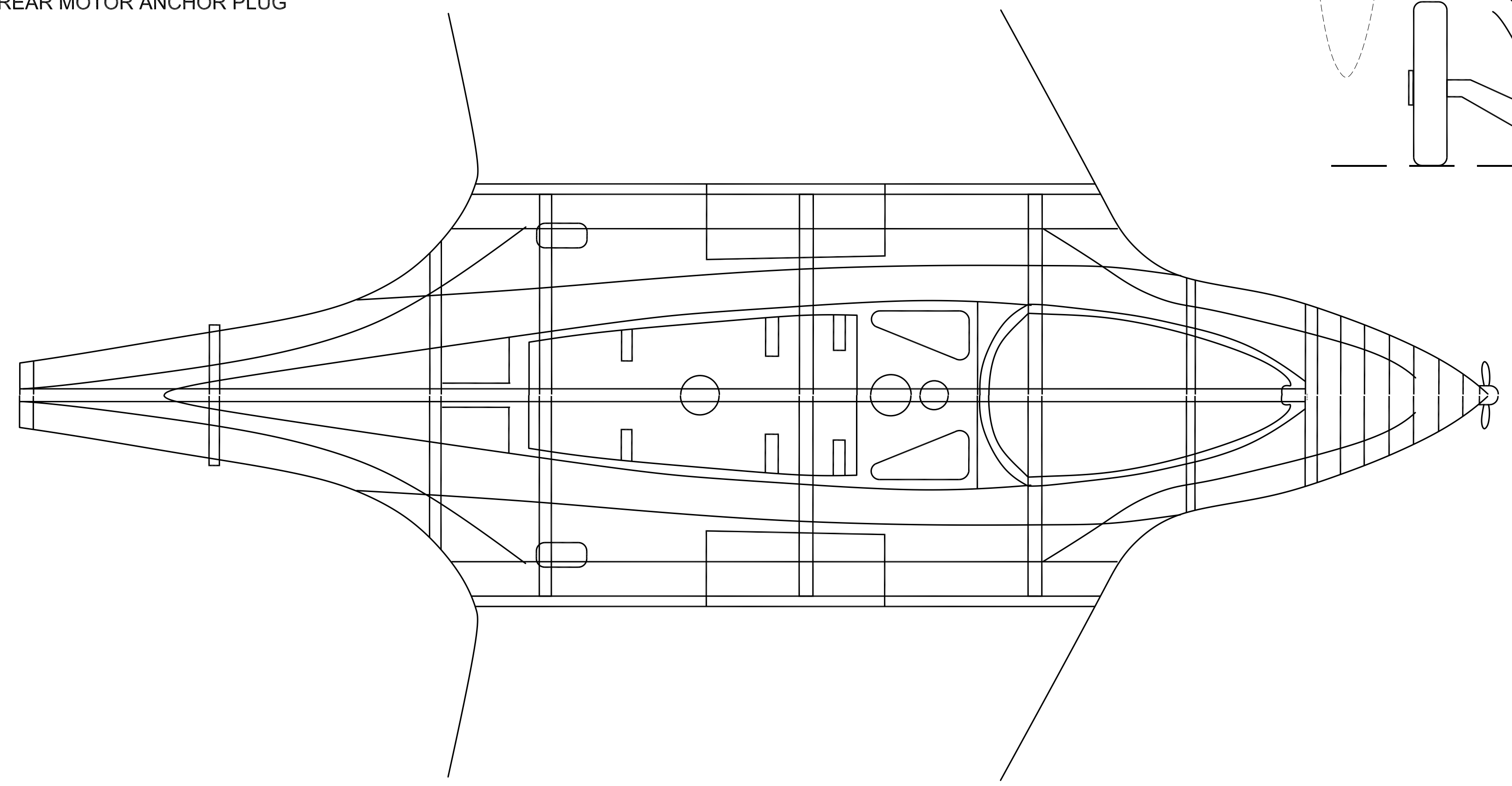
Designed/Drawn by NEAL GREEN 18" SPAN CLG
 redrawn & modified in CAD by Tom Akery 2018.6.12
 For a 27" rubber powered Free Flight model
 ALL Balsa IS 1/16" UNLESS OTHERWISE STATED IN THIS MODIFIED PLAN



"1" MAKE FROM 3/32" HARD Balsa LAMINATE REMAINDER FROM 3/32" OR WHAT EVER THICKNESS YOU HAVE ON STOCK TO MAKE SPINNER FOR 9 OR 9.5 PROP



REAR MOTOR ANCHOR PLUG



use movable elevons to add reflex to the wing T.E.

