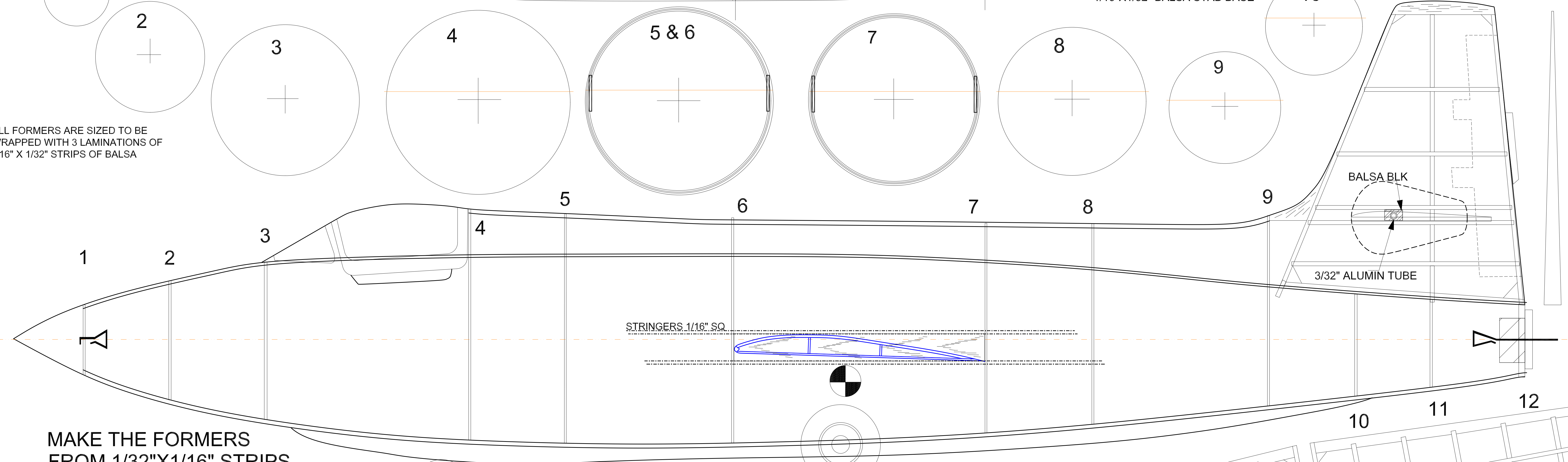
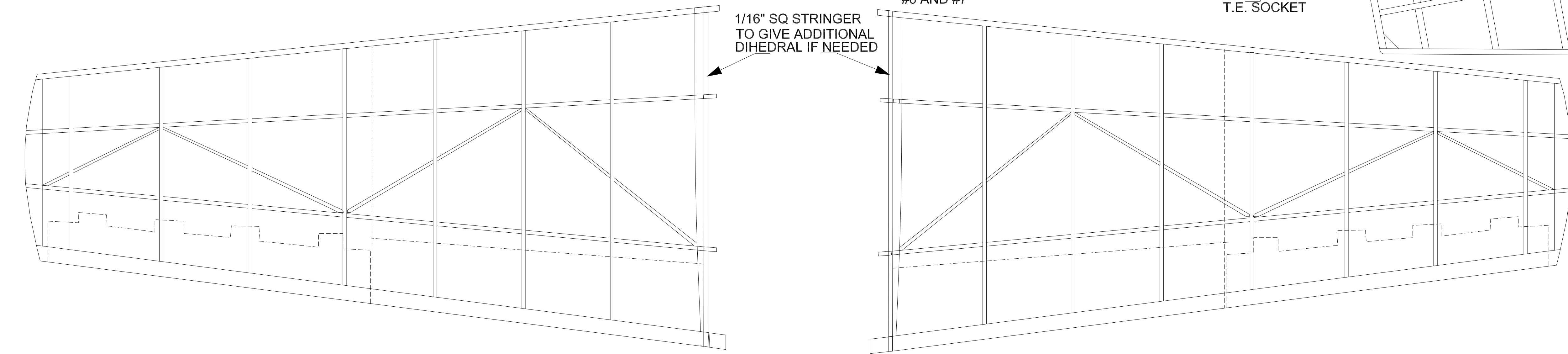


ALL FORMERS ARE SIZED TO BE WRAPPED WITH 3 LAMINATIONS OF 1/16" X 1/32" STRIPS OF Balsa



MAKE THE FORMERS FROM 1/32"X1/16" STRIPS LAMINATED AROUND THE FORMS BUILD FUSELAGE USING LADDER JIG OR SIMILAR JIG FOR CONSTRUCTION

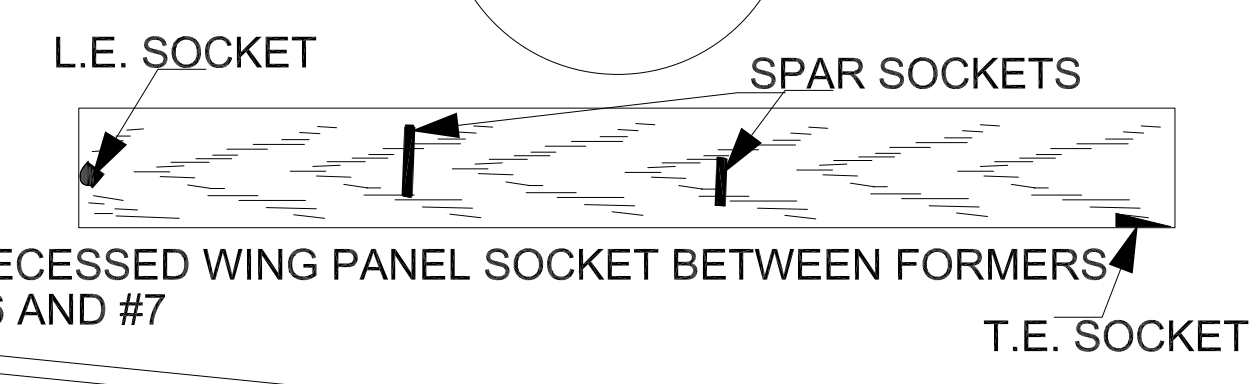


1/16"X1/32" Balsa STAB BASE

Balsa BLK

3/32" ALUMIN TUBE

MAKE CLEAR PLASTIC PROP FROM CLEAR PLASTIC ROUND PRETZEL OR SIMILAR CONTAINER



1/16" CARBON FIBER

WING ROOT POCKETS RECESSED 1/16"

INCIDENCE SHOWN BY CORAL LINE

BELL X-1a
 DESIGNED BY TOM AKERY 23 JUNE 2019
 27 INCH SPAN RUBBER POWERED
 PUSHER OR TRACTOR POWER
 FREE USE FOR S&T, HPA, SFA MEMBERS