

LOCKHEED F-90

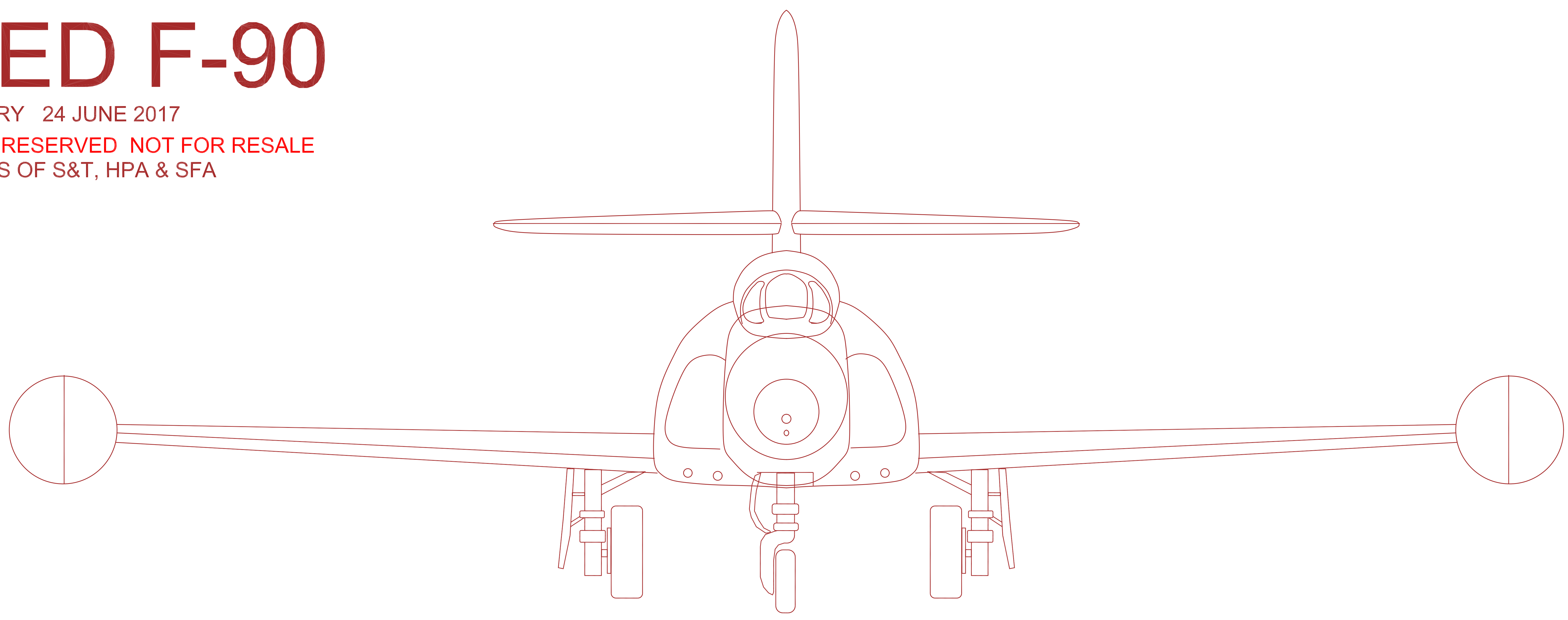
DRAWN FROM 3-VIEW BY TOM AKERY 24 JUNE 2017

30" SPAN 43" LENGTH ALL RIGHTS RESERVED NOT FOR RESALE

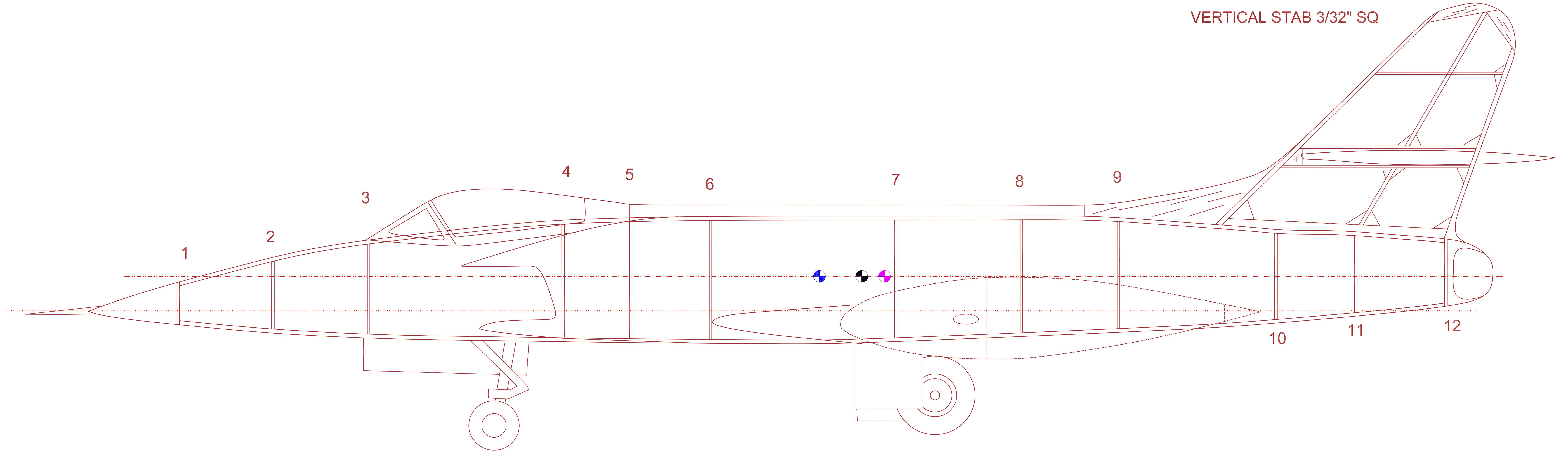
FREE ONE TIME USE FOR MEMBERS OF S&T, HPA & SFA

CHECK OUT www.stickandtissue.com

- = AERODYNAMIC CENTER
- = CENTER OF GRAVITY
- = NEUTRAL POINT

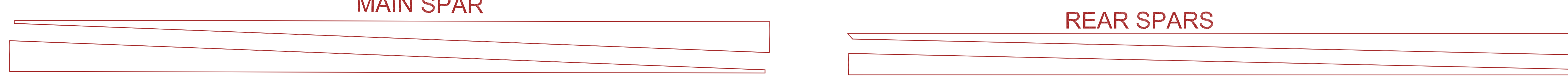


VERTICAL STAB 3/32" SQ



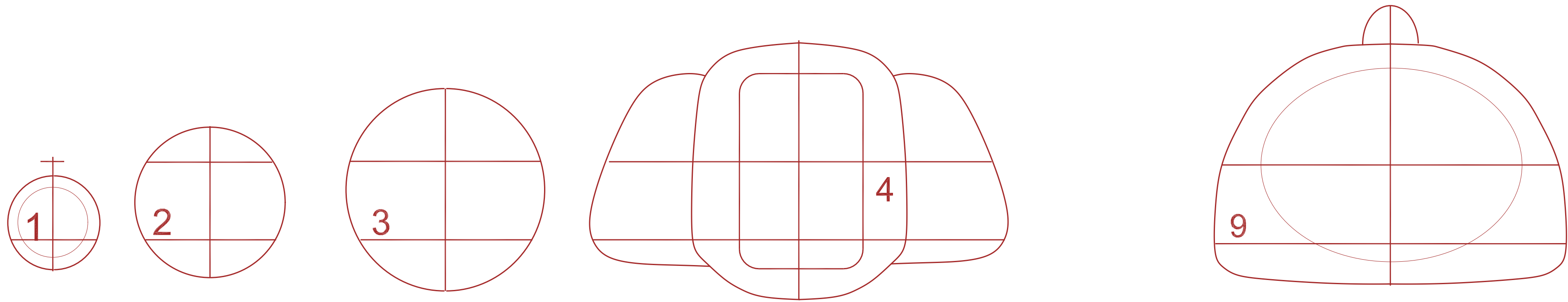
MAIN SPAR

REAR SPARS

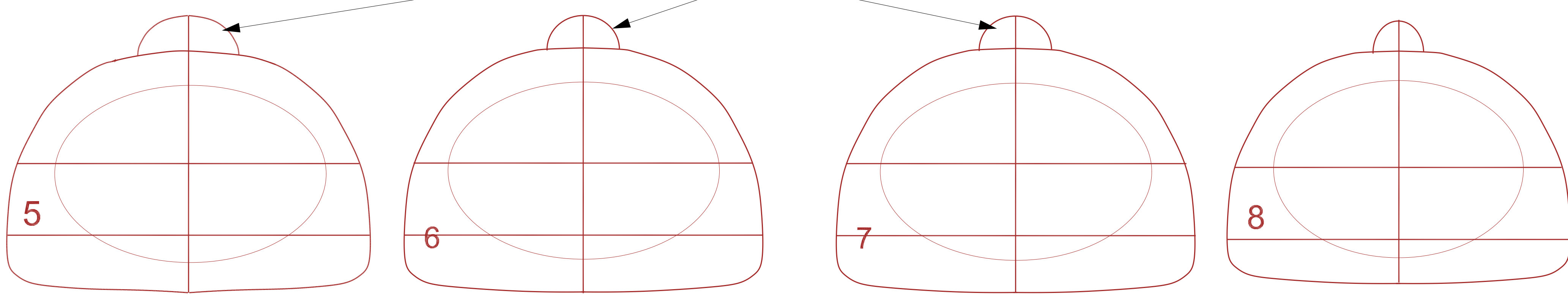


SPARS FROM 1/16" HARD BALSA

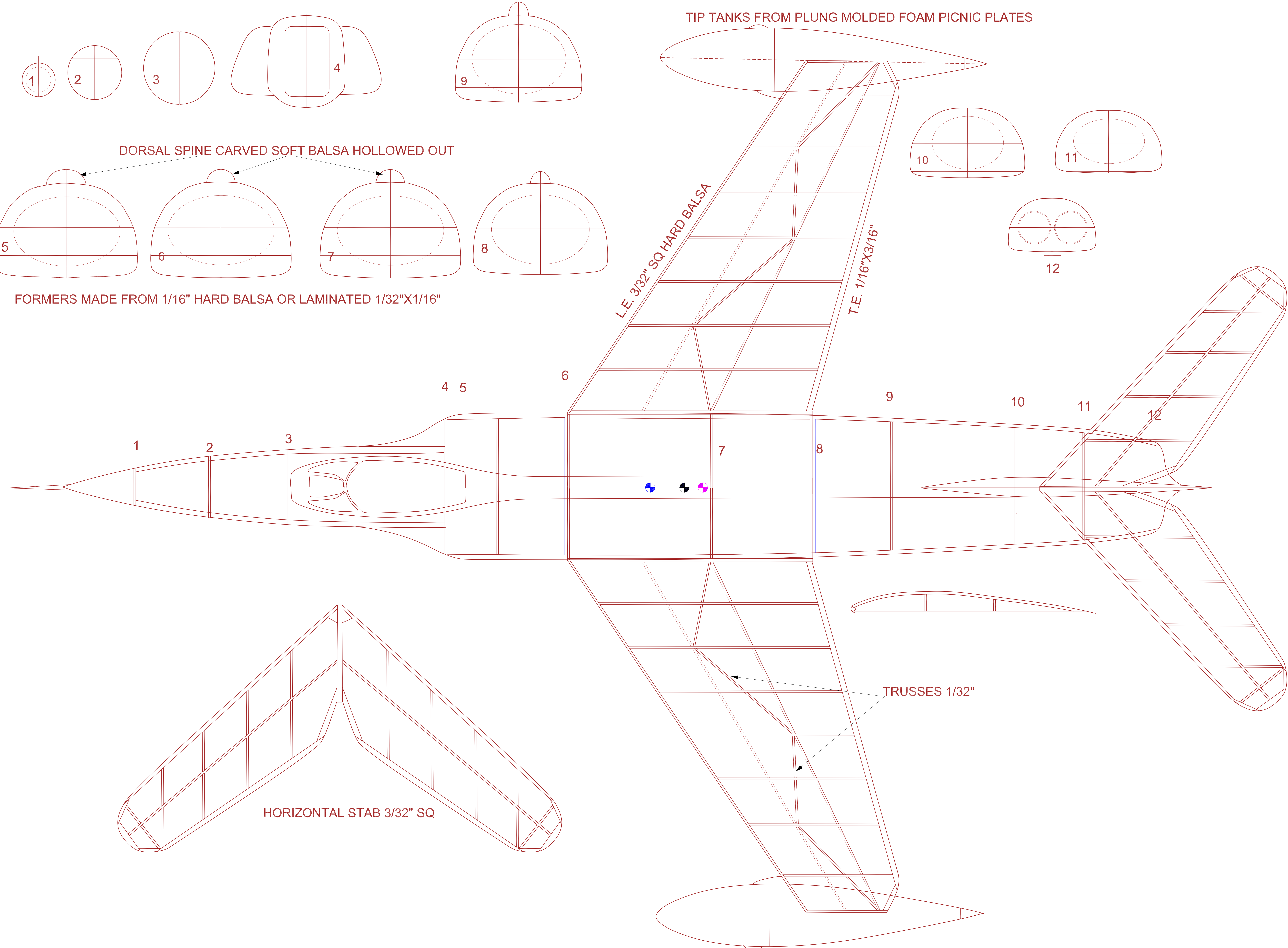
TIP TANKS FROM PLUNG MOLDED FOAM PICNIC PLATES



DORSAL SPINE CARVED SOFT Balsa HOLLOWED OUT



FORMERS MADE FROM 1/16" HARD Balsa OR LAMINATED 1/32"X1/16"



HORIZONTAL STAB 3/32" SQ

TRUSSES 1/32"