

CRACKED RIB WING CONST

DIHEDRAL BREAKS

TIP TANKS OPTIONAL

L.E. 3/32"X1/8"

TRUSSES 1/32"X1/8" STRIPS

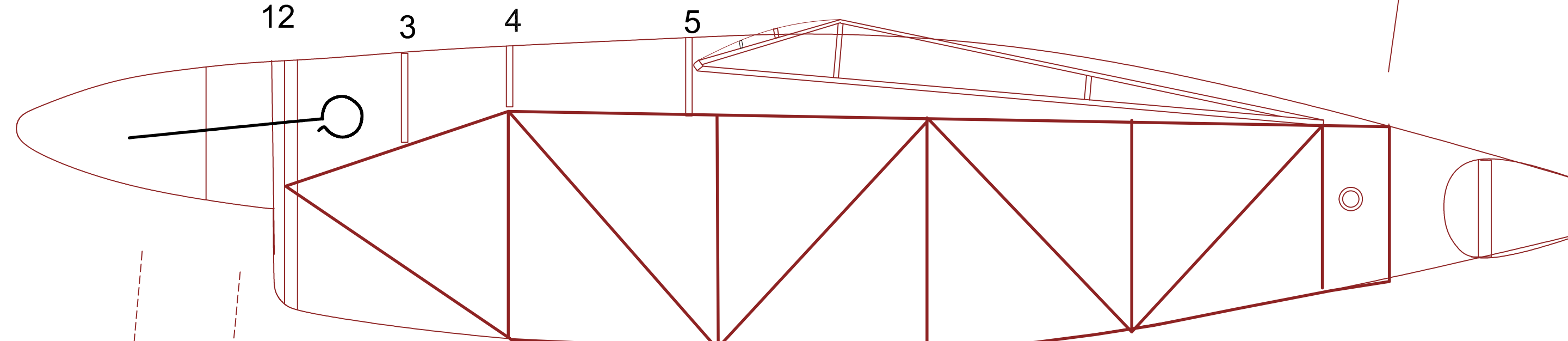
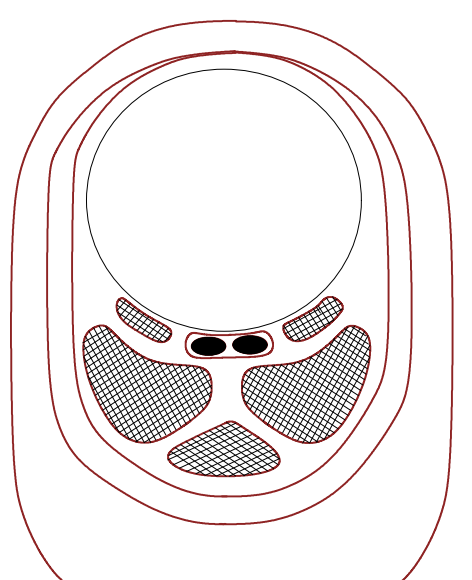
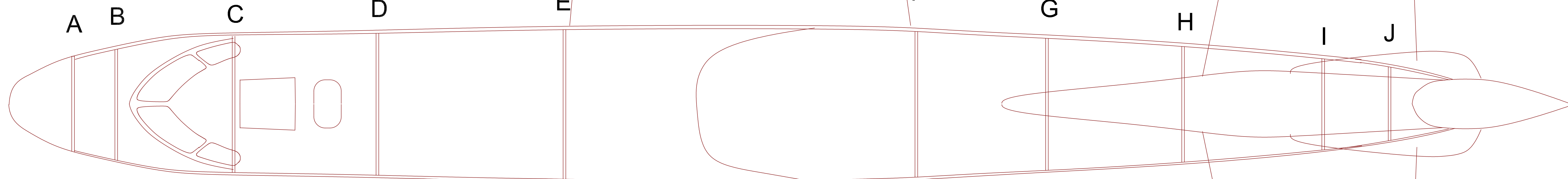
RIBS 1/16" SQ

SPARS 1/16" SHEET

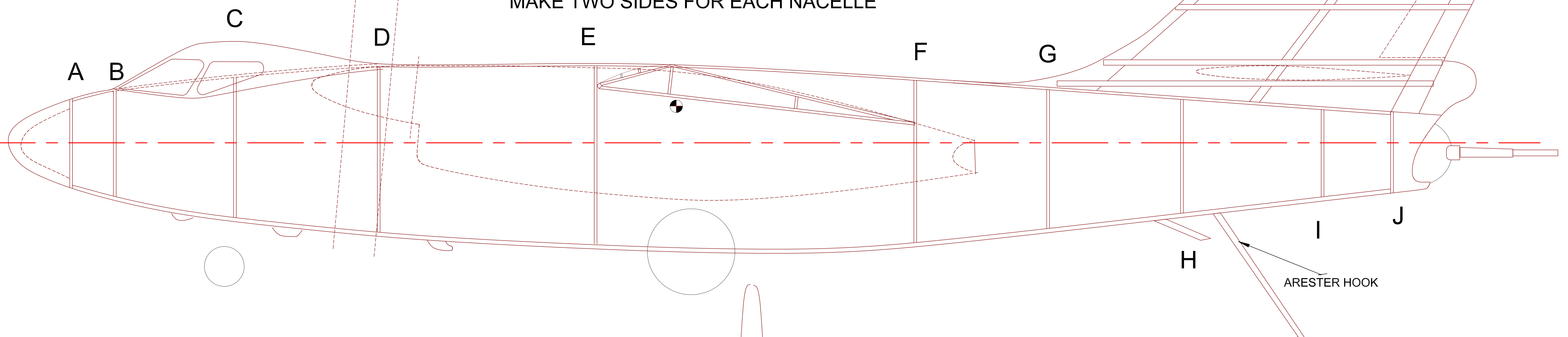
T.E. 1/16"X1/4"

DIHEDRAL 1.5" UNDER EACH TIP

FORMERS 1/16" SHEET



MAKE TWO SIDES FOR EACH NACELLE



ARESTER HOOK

