

VERON *Harvard*

NORTH AMERICAN

2 1/2" SPAN
DESIGNED BY PHIL SMITH

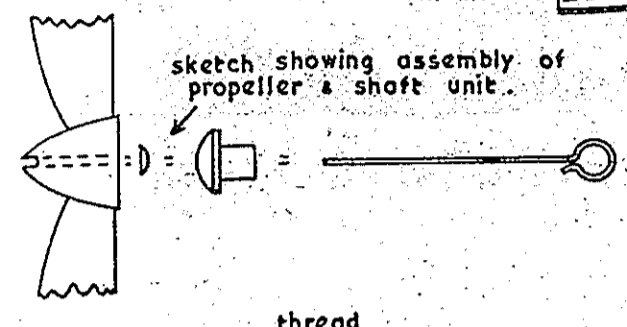
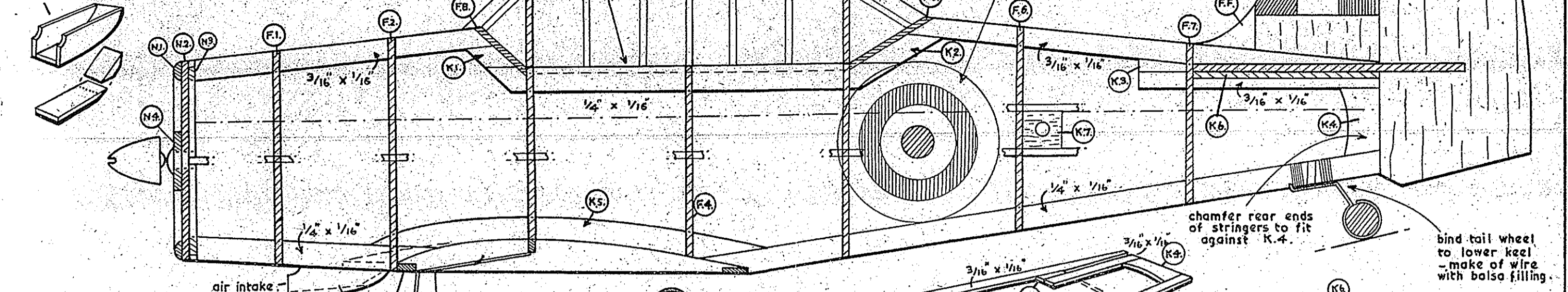
paint on framework structure using pencil brush or adhere strips of gummed paper tape painted.

red (leading) white & blue fin flash

yellow, red, white & blue roundel

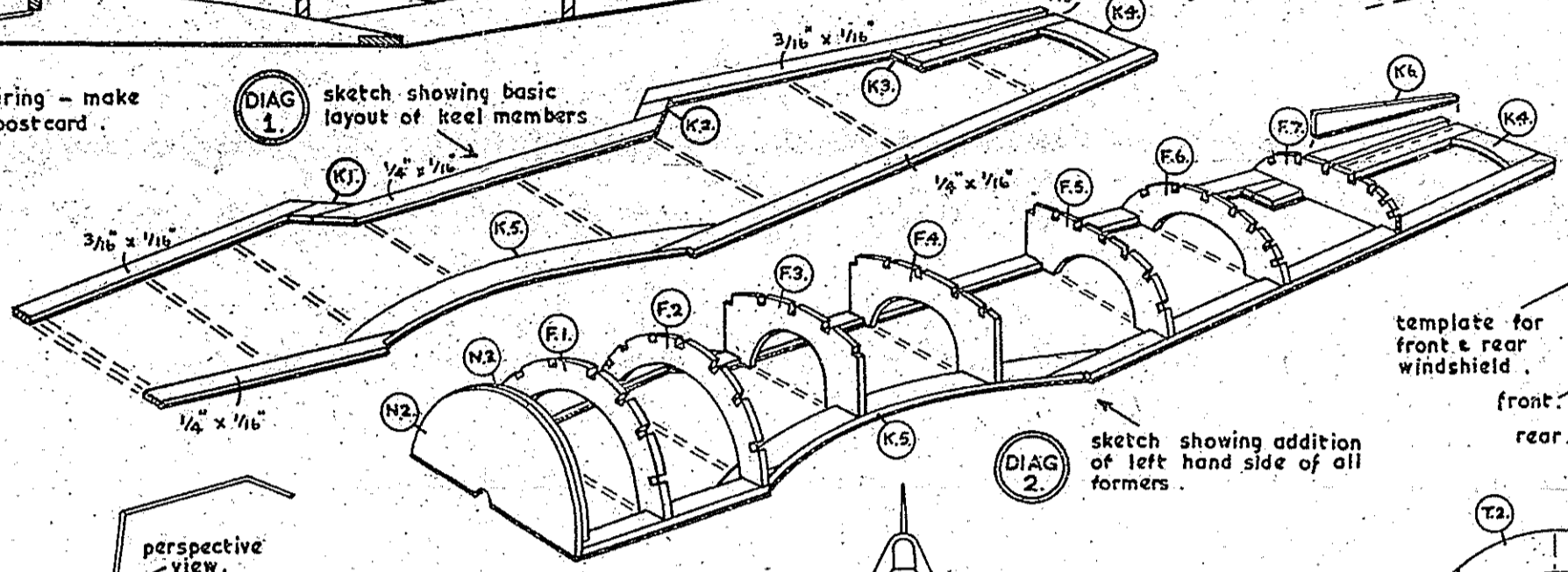
dotted line denotes 1/16" x 1/16" cockpit rim

air intake make from parts A.1.

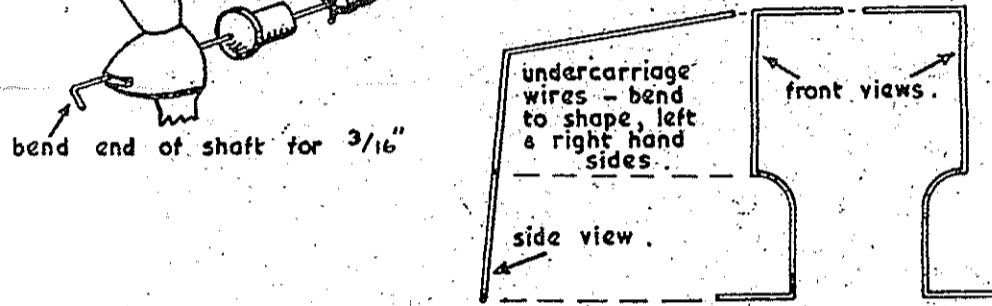
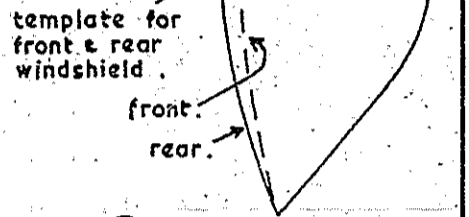


u/c fairing - make from postcard

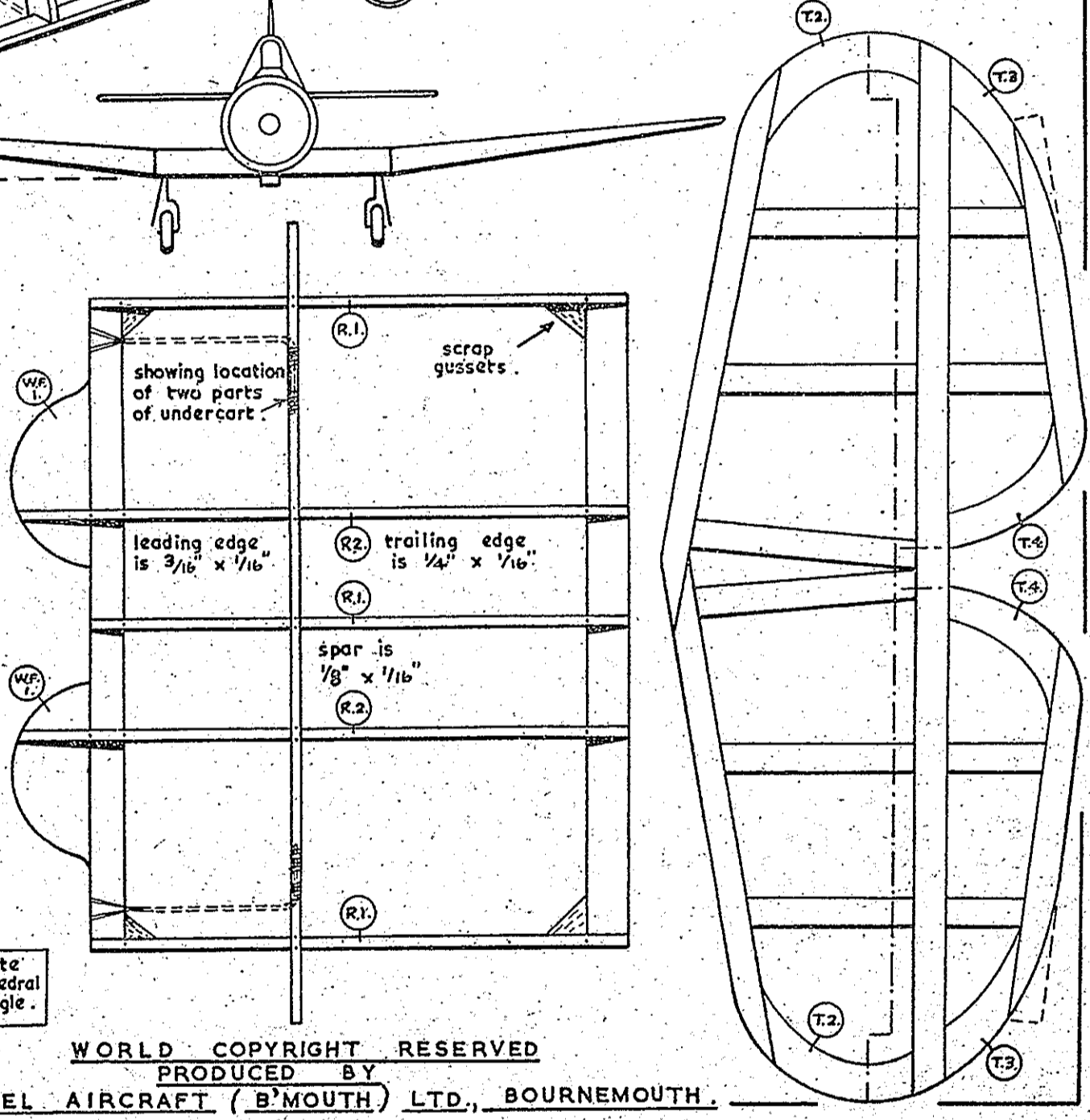
DIAG 1 sketch showing basic layout of keel members



bind tail wheel to lower keel - make of wire with balsa filling



tip dihedral - 1"



WORLD COPYRIGHT RESERVED
PRODUCED BY
MODEL AIRCRAFT (B' MOUTH) LTD., BOURNEMOUTH.

