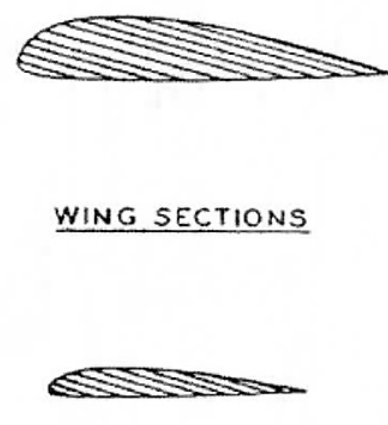
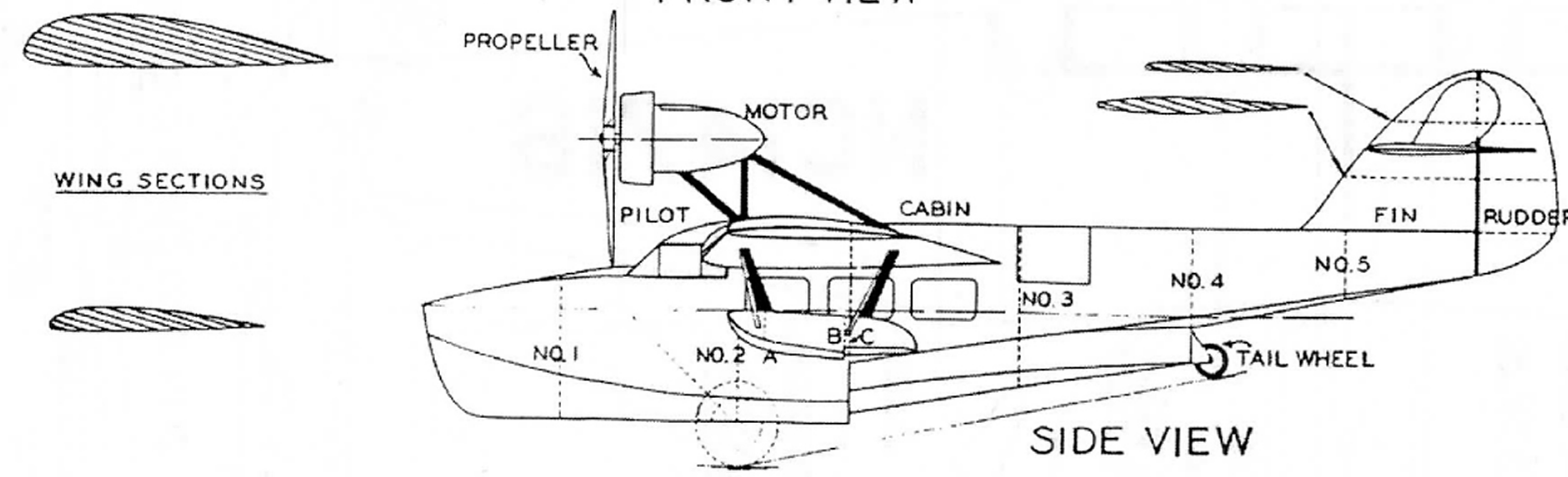
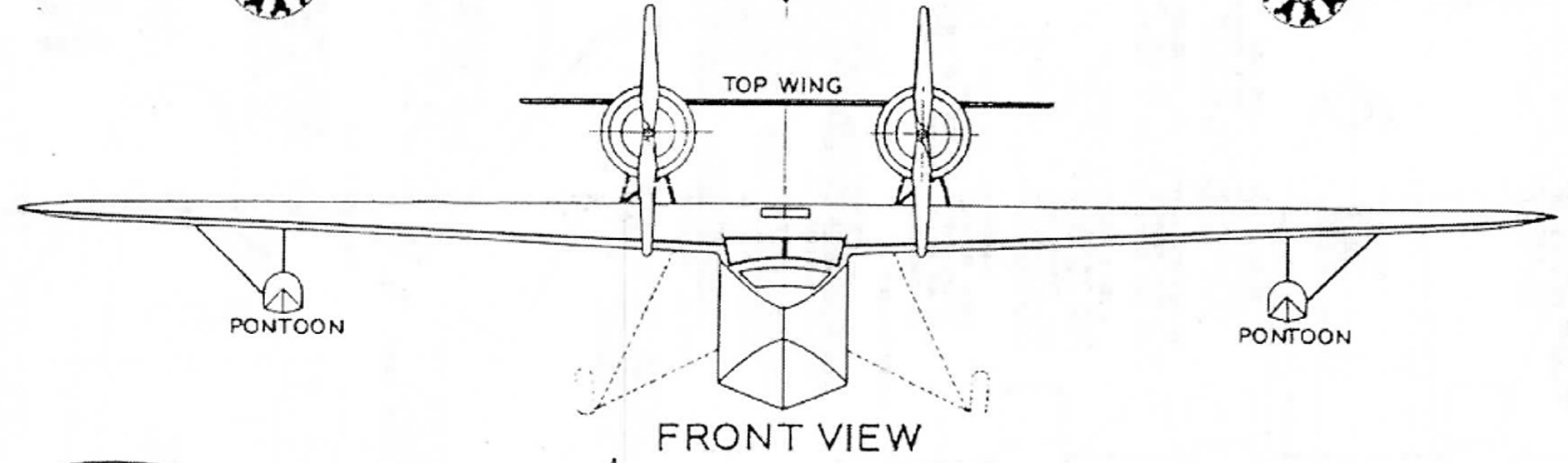
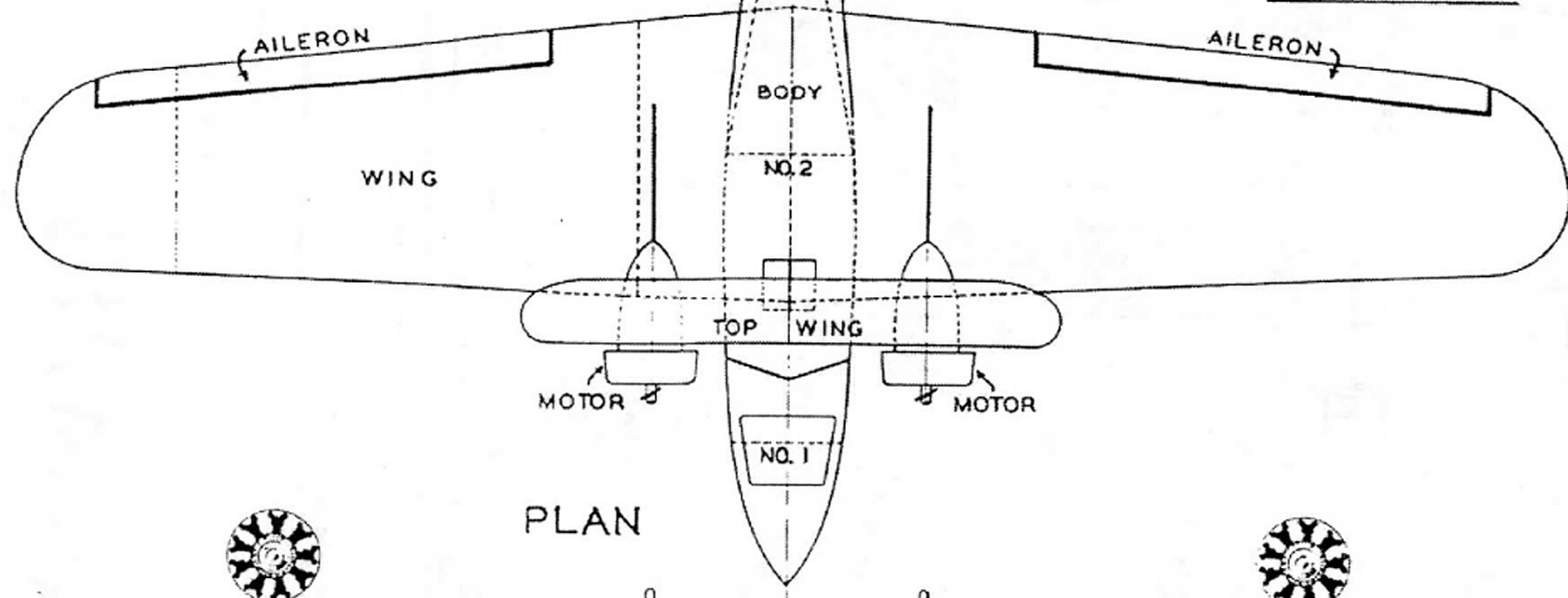
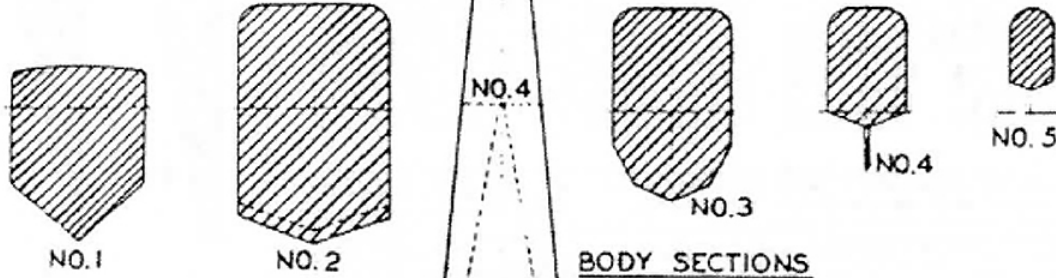
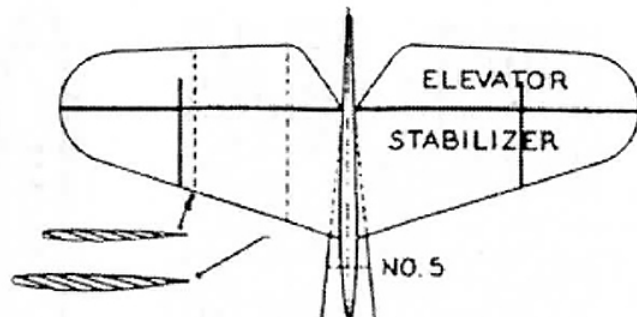




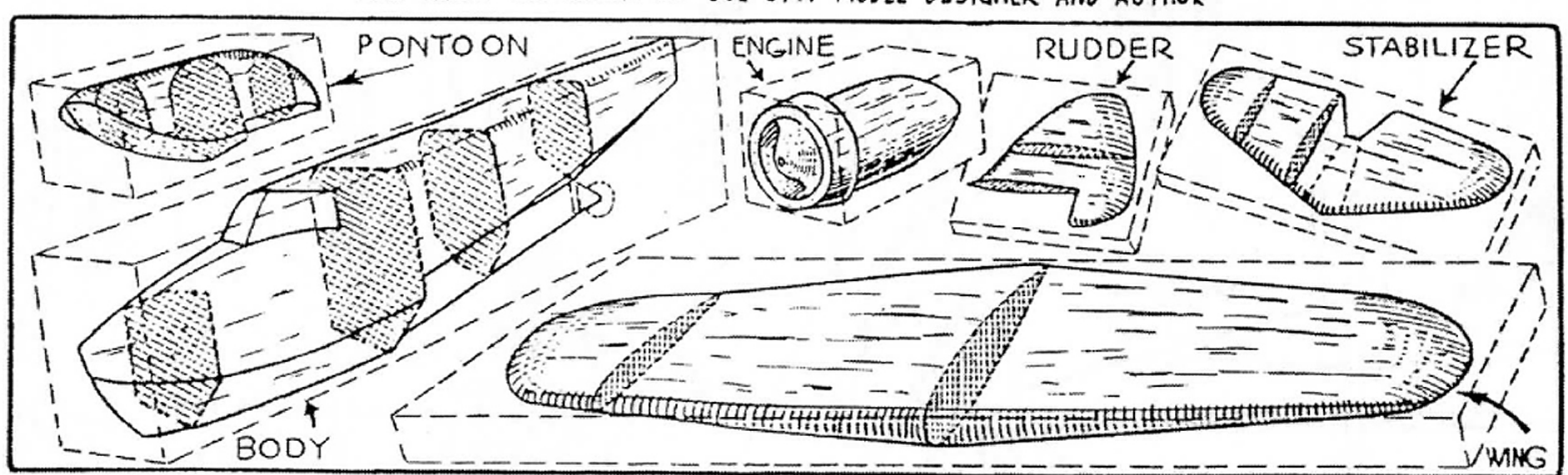
INSTRUCTIONS

WITH A PENKNIFE OR RAZOR BLADE CUT OUT THE BODY AS OUTLINED SAND TO CORRECT SHAPE. REPEAT ON THE PRINTED WINGS & TAIL SURFACES. THE VARIOUS UNITS CAN BE ASSEMBLED AS FINISHED.

COLOR AFTER PARTS ARE CEMENTED TOGETHER. PUT FIGURES & NAMES IN PLACE AFTER PAINTING BUT BEFORE WIRES ADDED. DECORATE AS SPECIFIED. ALWAYS COLOR THE BODY DARKER THAN THE WINGS. CONTROL SURFACES CAN BE OF A THIRD COLOR.



ALL PLANS COPYRIGHT BY JOE OTT. MODEL DESIGNER AND AUTHOR



DOUGLAS AMPHIBIAN