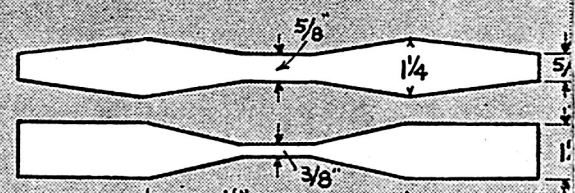
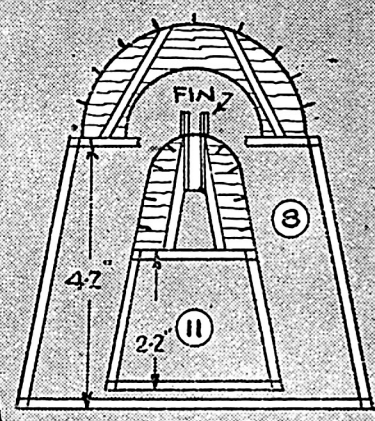
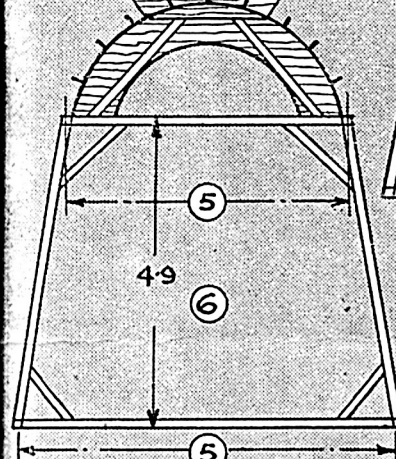
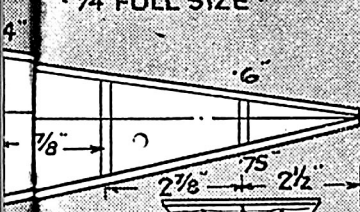


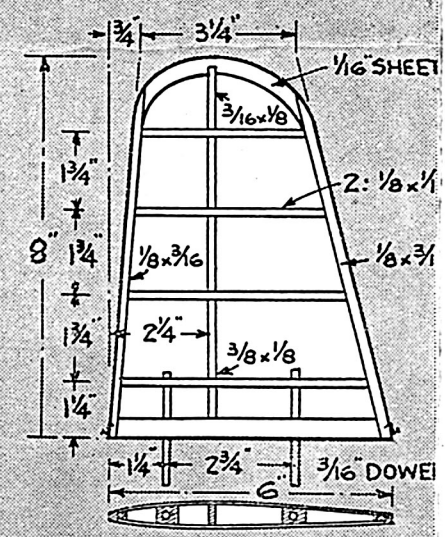
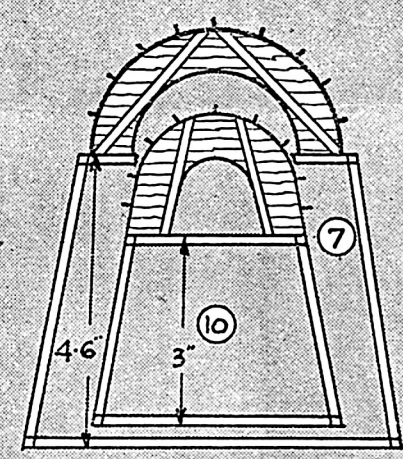
HULL OUTLINE - 1/4 FULL SIZE

MOTOR TUBES - 1/4 FULL SIZE



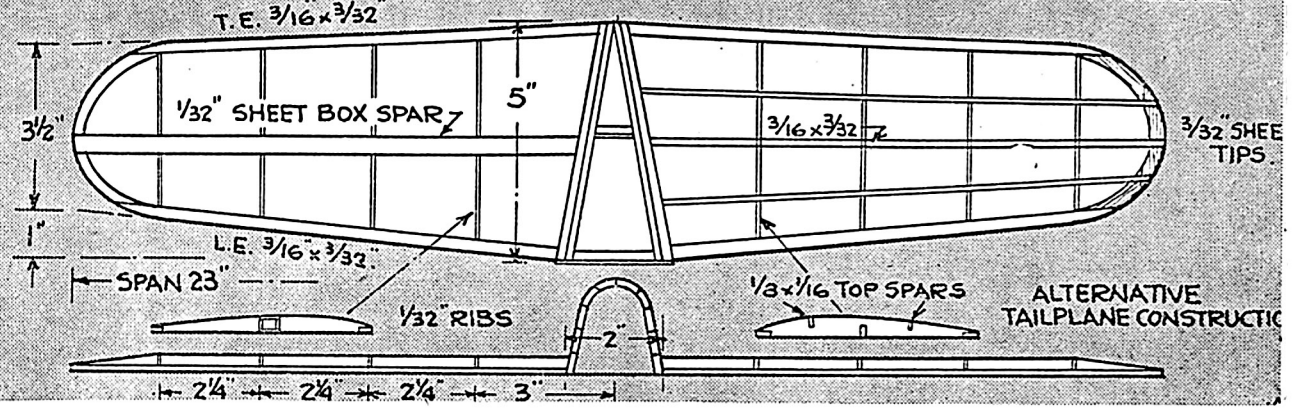
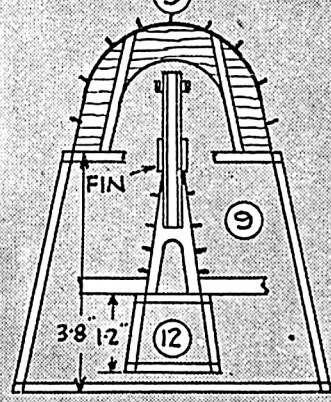
PROP BLOCK 11" x 1/4" x 1/4" - PITCH 17:25

POWER
 19 FT. 1/4 x 1/24 WEIGHING 1.15 OZ.
 FOR EACH MOTOR MADE UP
 INTO 8 STRANDS 28" LONG.
 595 TURNS - PLAITED FOR TENSION



TAILPLANE - 1/4 FULL SIZE

FIN - 1/4 FULL SIZE



ALTERNATIVE TAILPLANE CONSTRUCTION