

NC15056
 SIKORSKY
 S-43

PAN AMERICAN AIRWAYS SYSTEM

PAA

46" wingspan twin-engine radio system, or free-flight.
 Designed and drawn by Peter Wank for
 ScienText, Westport, CT 06880
 © Peter Wank 1992 Sheet 1 of 5

Note: Pushrod clevises not shown

1/2A Control Horn

(Rudder layout, sheet 2)

(Stab. layout on sheet 3)

Wing strut - true length
 (Spruce or basswood)

Cox Falsafe receiver

1/32" ply Nacelle Former

1/32" ply nacelle former

Design C.G.

1/4" dia.

1/8" side keel

1/8" sheet

.031" M.W. Pushrod

1/8" sheet floor

1/8" sq.

1/32" ply electronics shelf

BASELINE

CENTERLINE

no noseblock

1.75" dia. wheels

Bottom edge - 1/8" stringer

Side keel

1/32" ply electronics shelf

Reversed servo arm

1/8" top keel

F1A

F2

F2A

F3

F4

F5

F6

F7

F8

R5

R6

R7

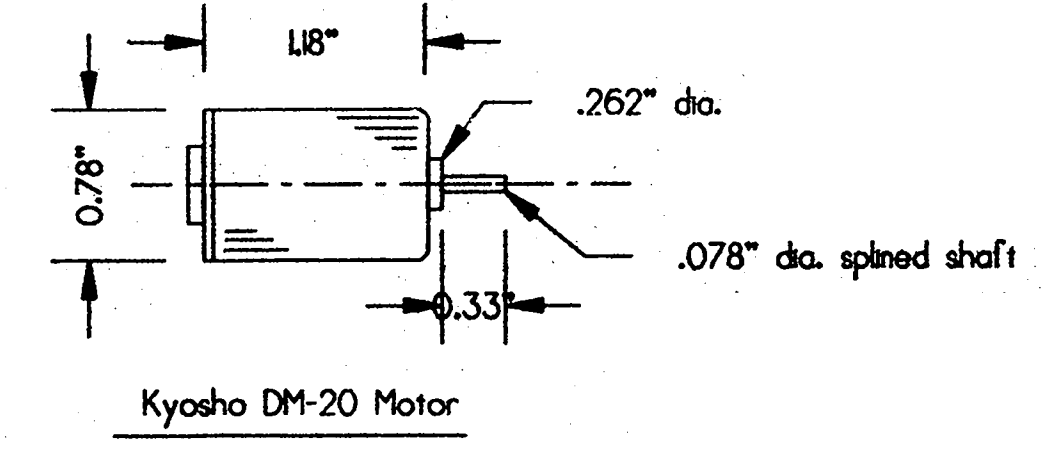
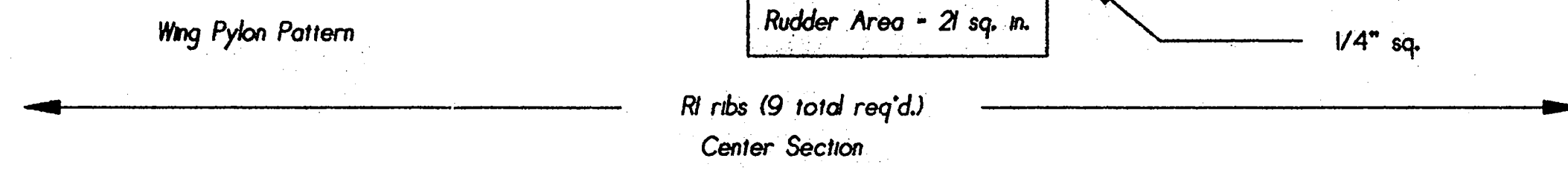
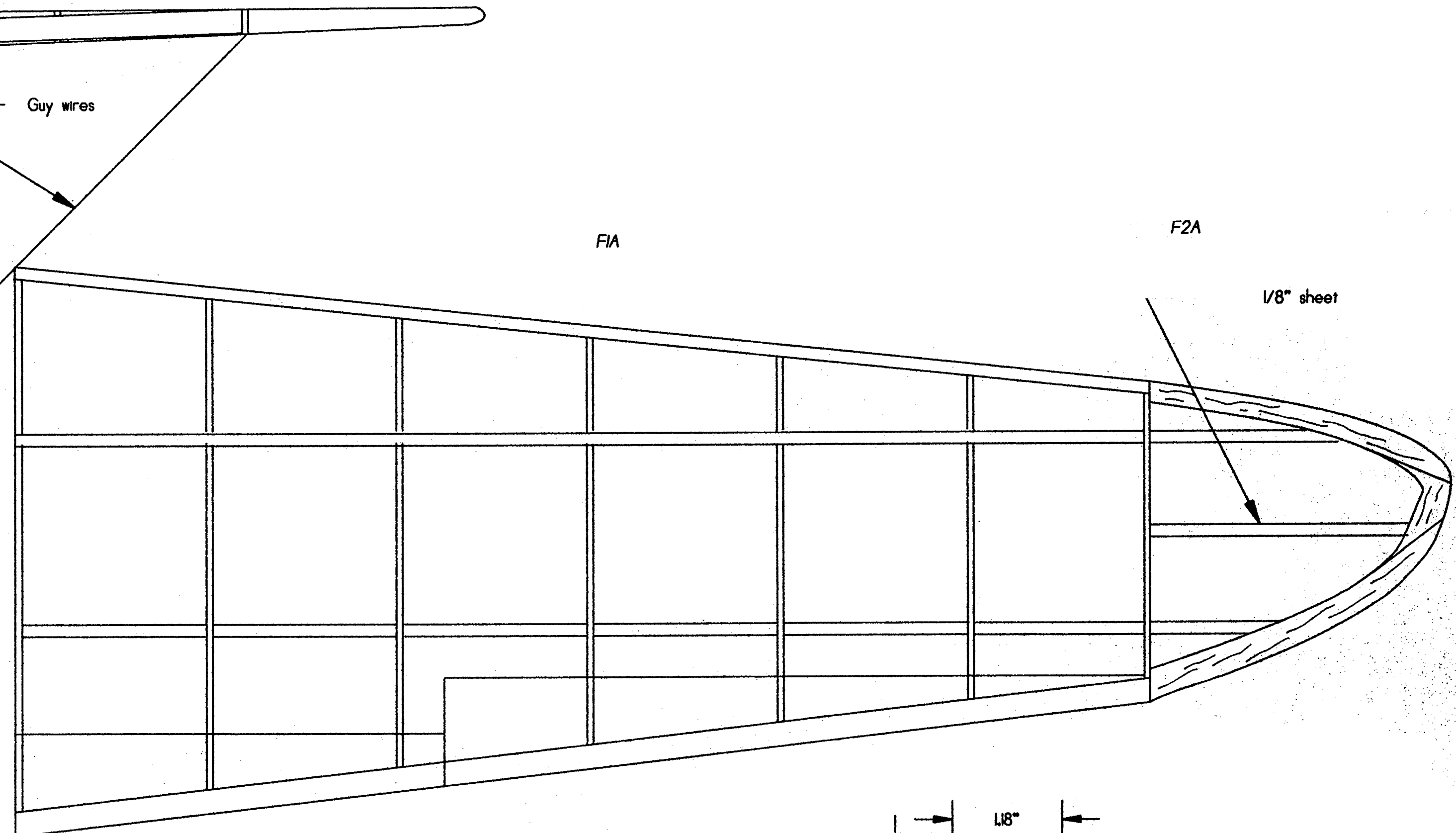
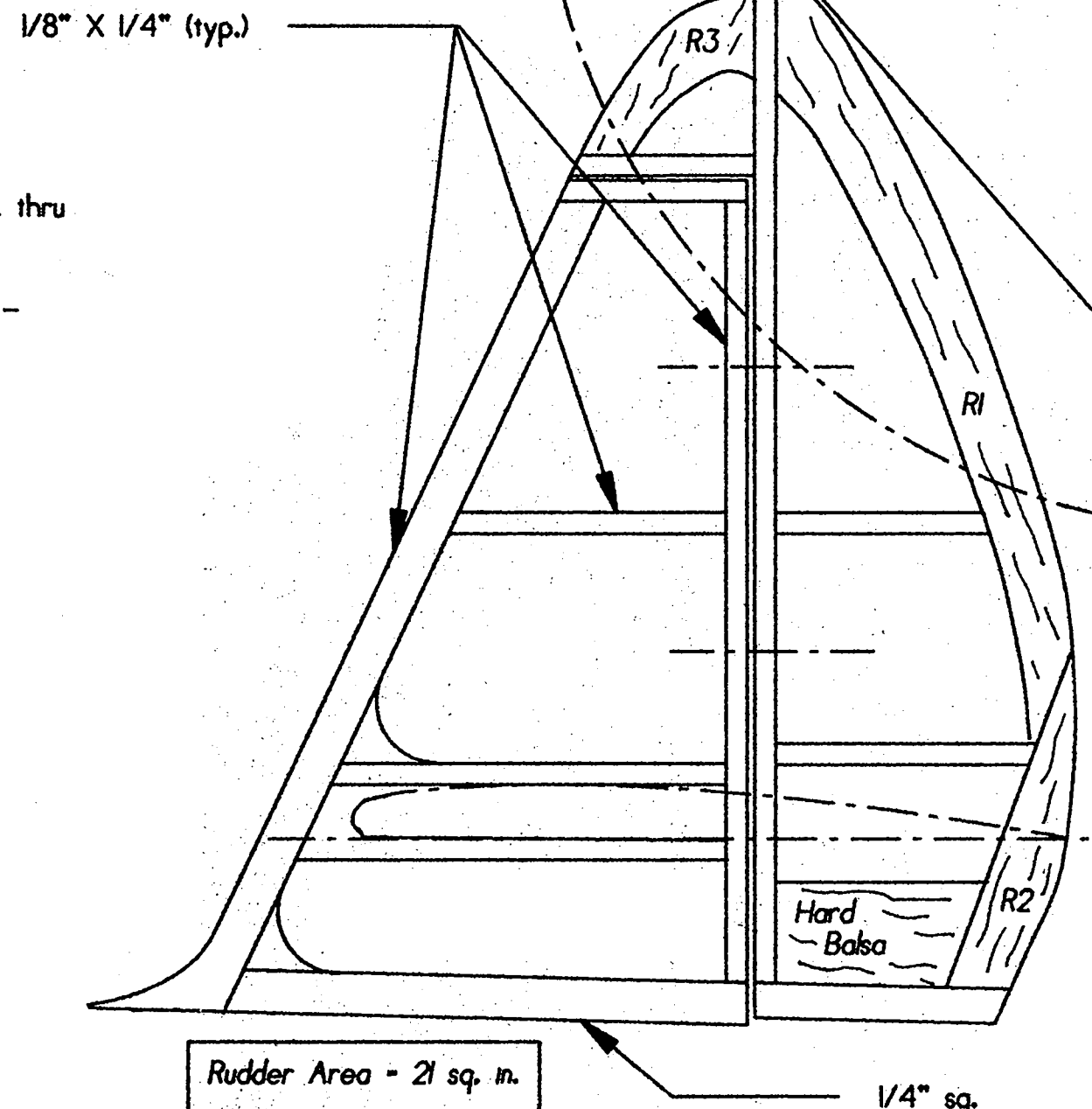
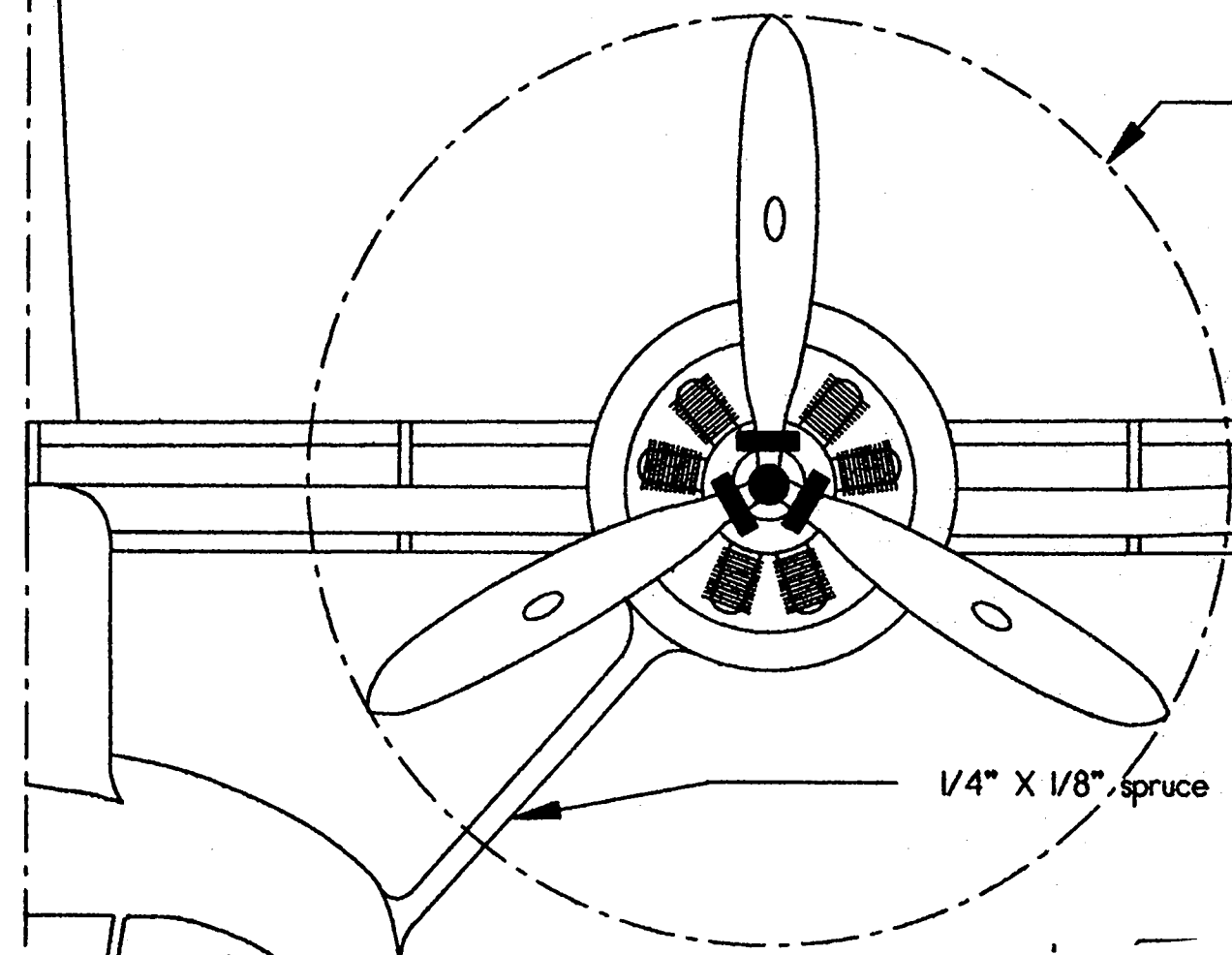
WS2/3/4

1/8" sheet

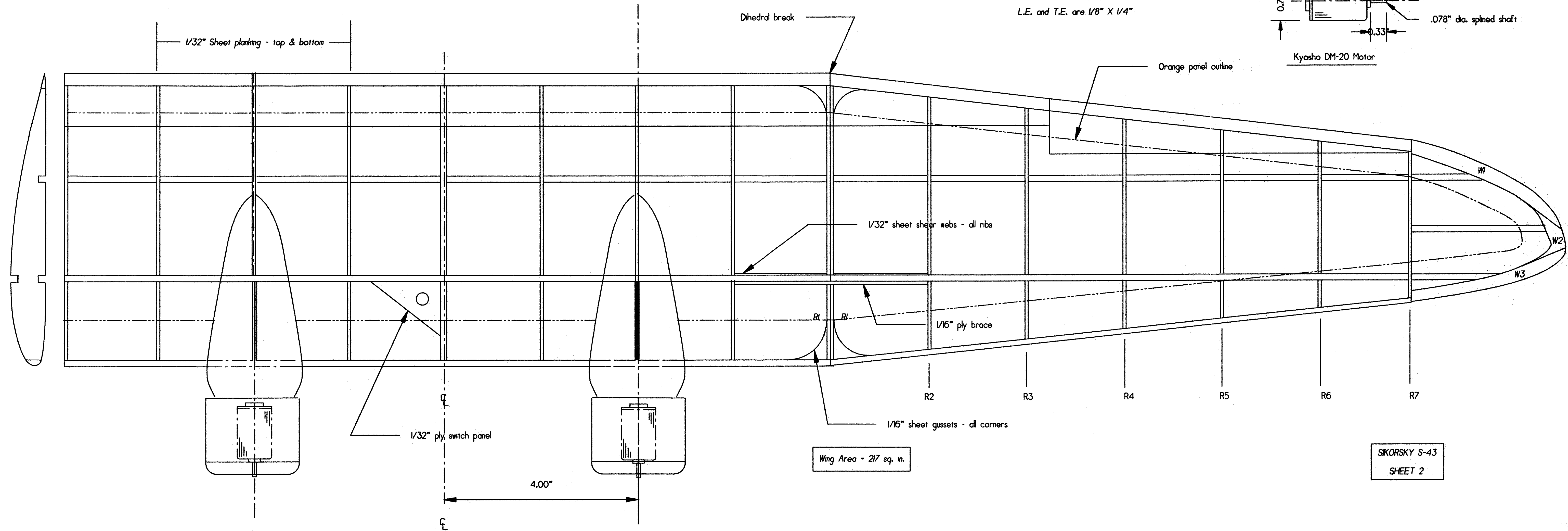
(Make 3)

WS1

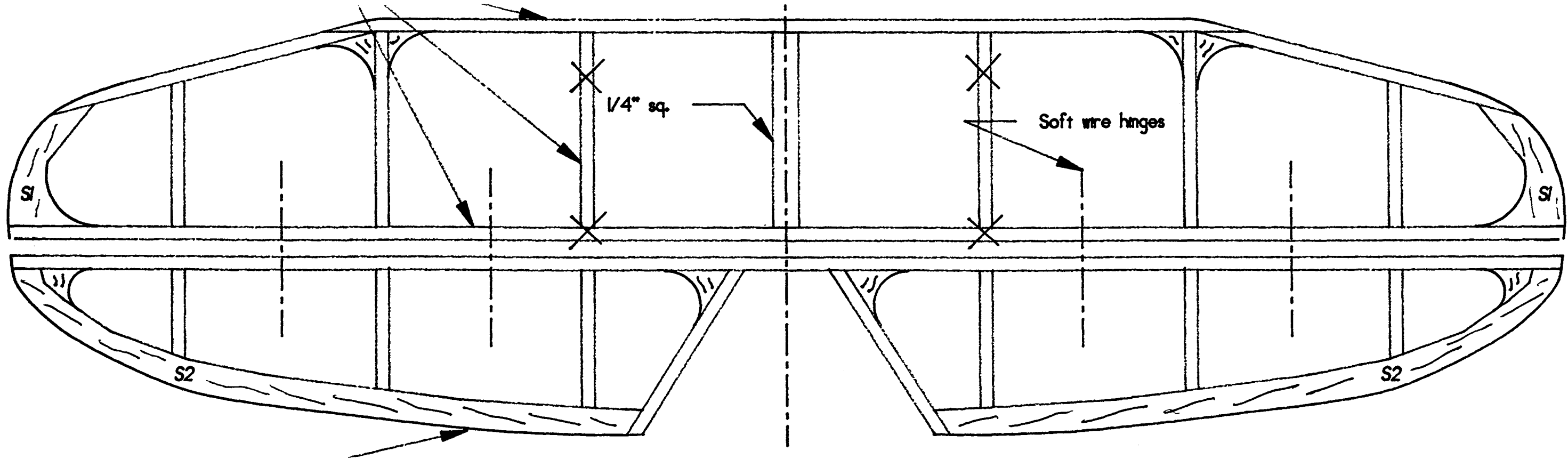
1/4" sheet

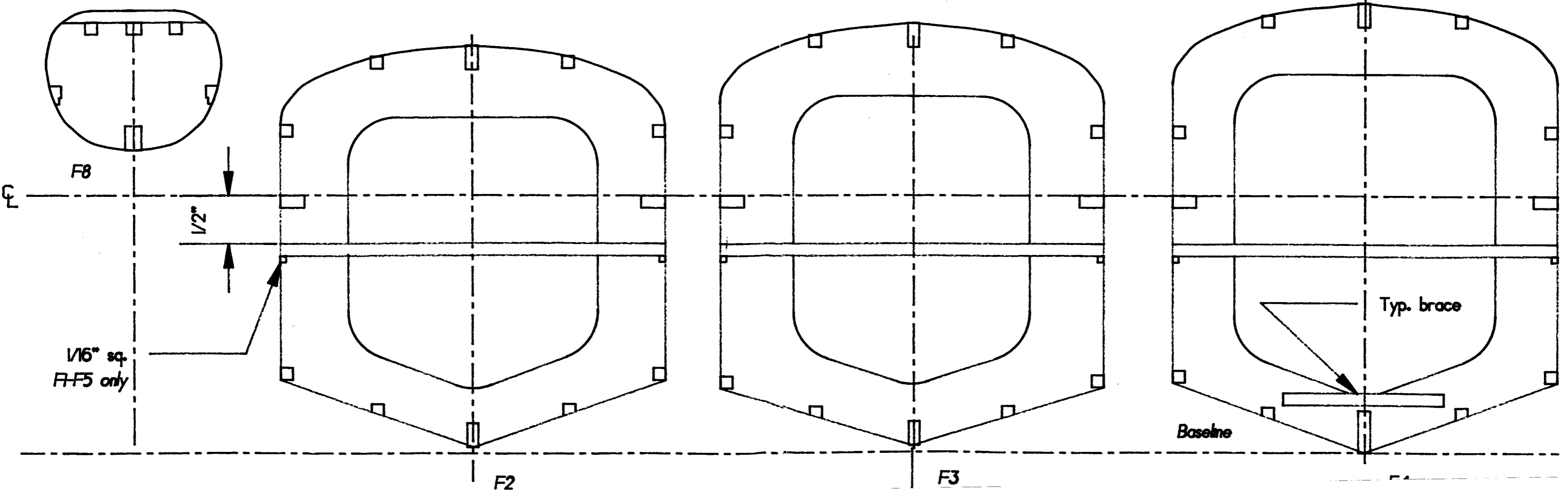
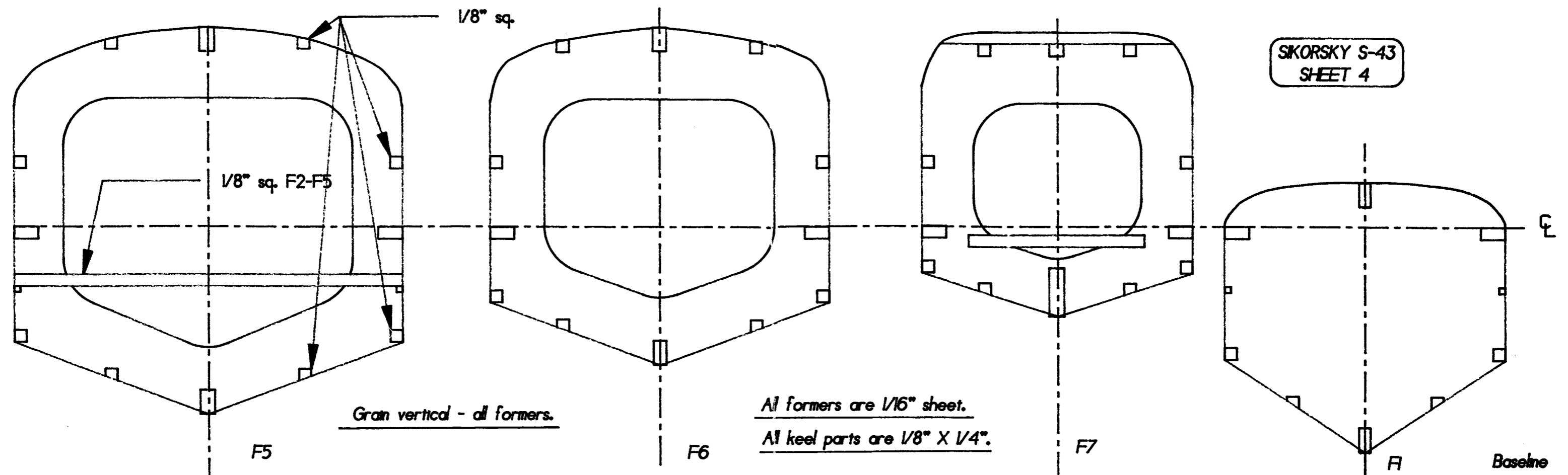


All spars are 1/8 sq.
L.E. and T.E. are 1/8" X 1/4"

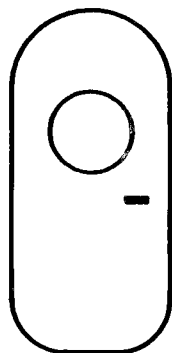


Wing Area - 217 sq. in.



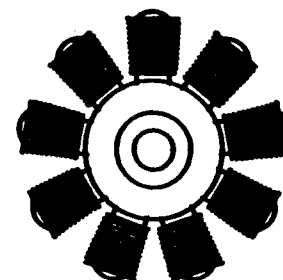
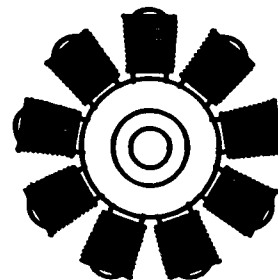


PAN AMERICAN AIRWAYS SYSTEM
PAN AMERICAN AIRWAYS SYSTEM



N
C
I
5
0
5
6

N
C
I
5
0
5
6



SIKORSKY
S-43

SIKORSKY
S-43

