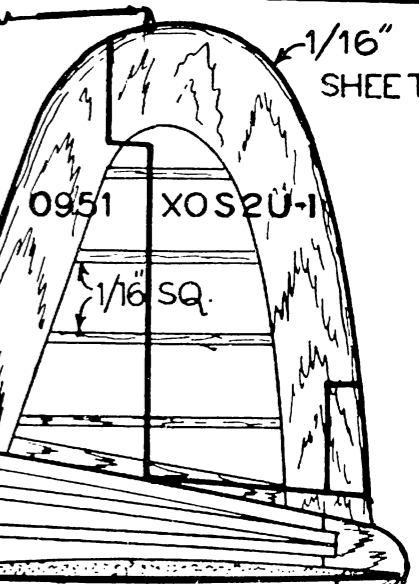
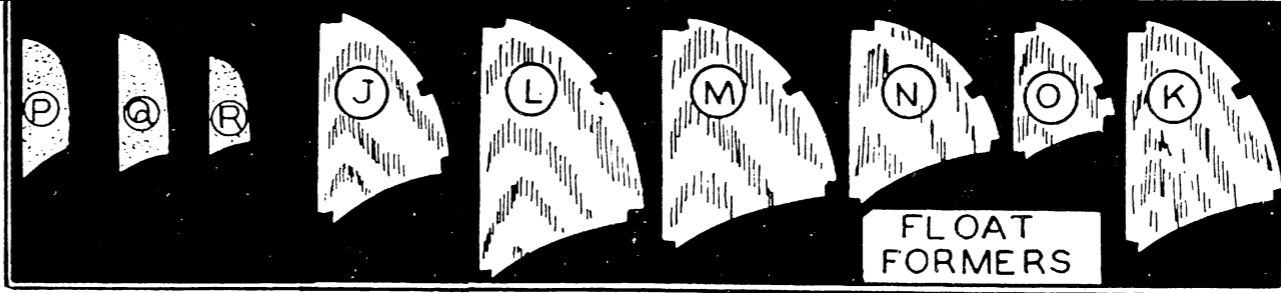


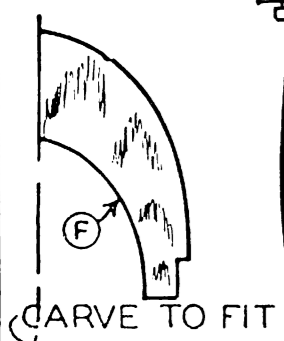
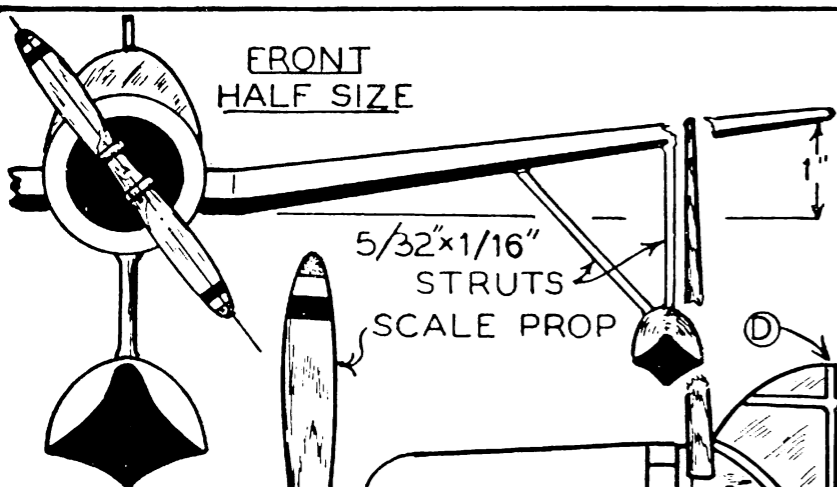
FRONT
HALF SIZE

1/16"
SHEET



5/32x1/16"
STRUTS
SCALE PROP

5
FLOAT
FORMERS

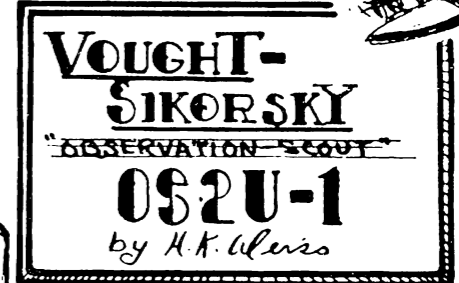


FROM 3/16"
SHEET

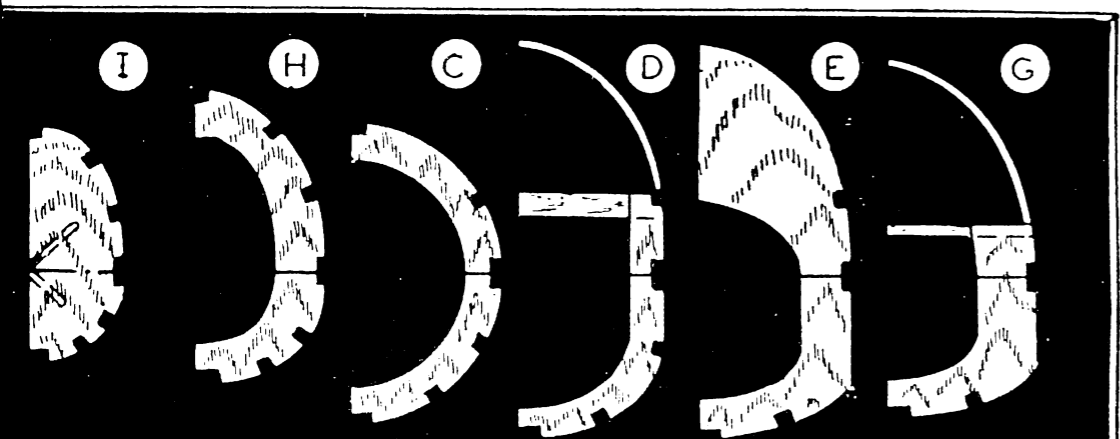
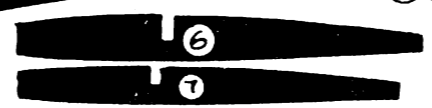
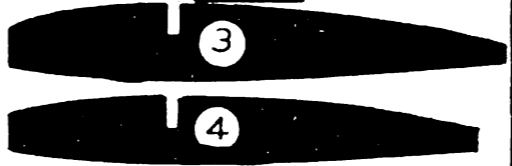
THREAD

U.S. NAVY

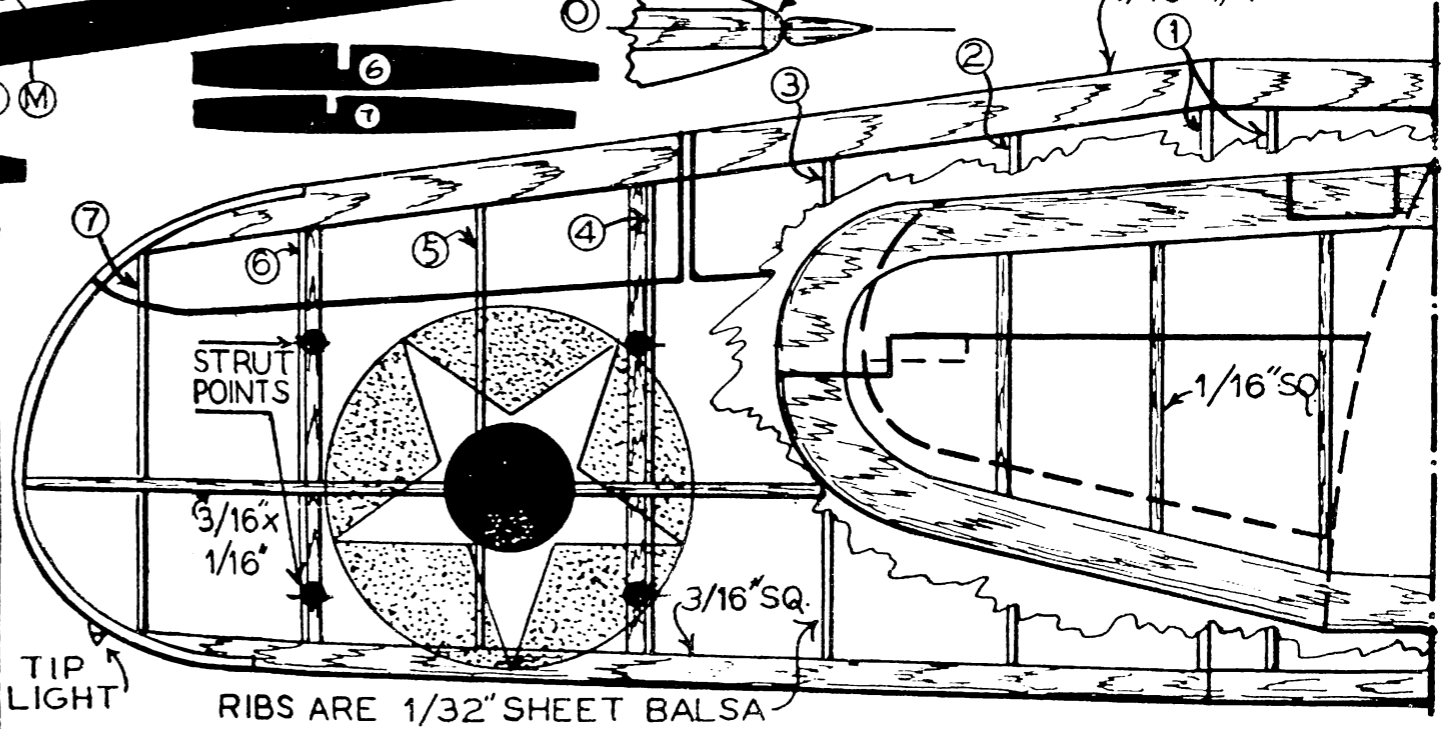
TAIL LIGHT



WATER RUDDER 1/8" SHEET
3/16x1/8" 1/16x1/4"



FUSELAGE BULKHEADS



TIP LIGHT

RIBS ARE 1/32" SHEET Balsa