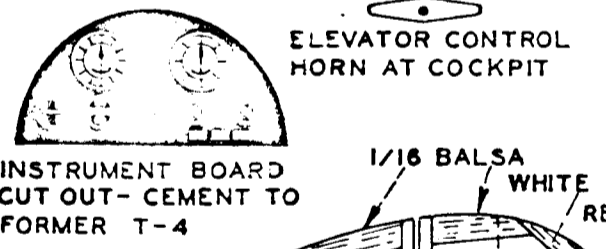
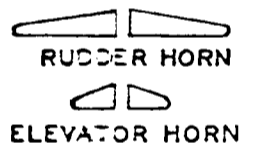
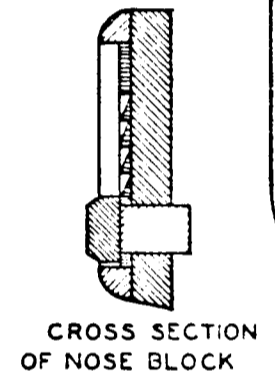
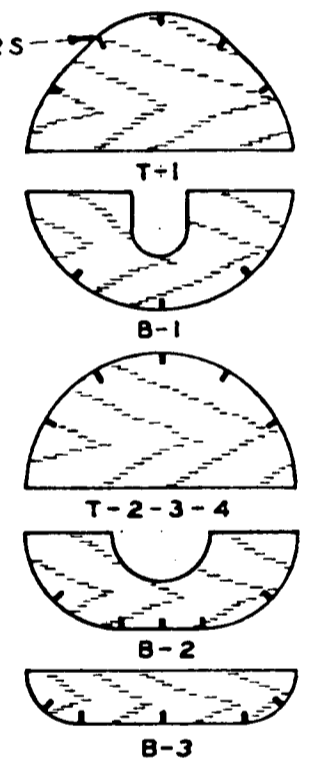
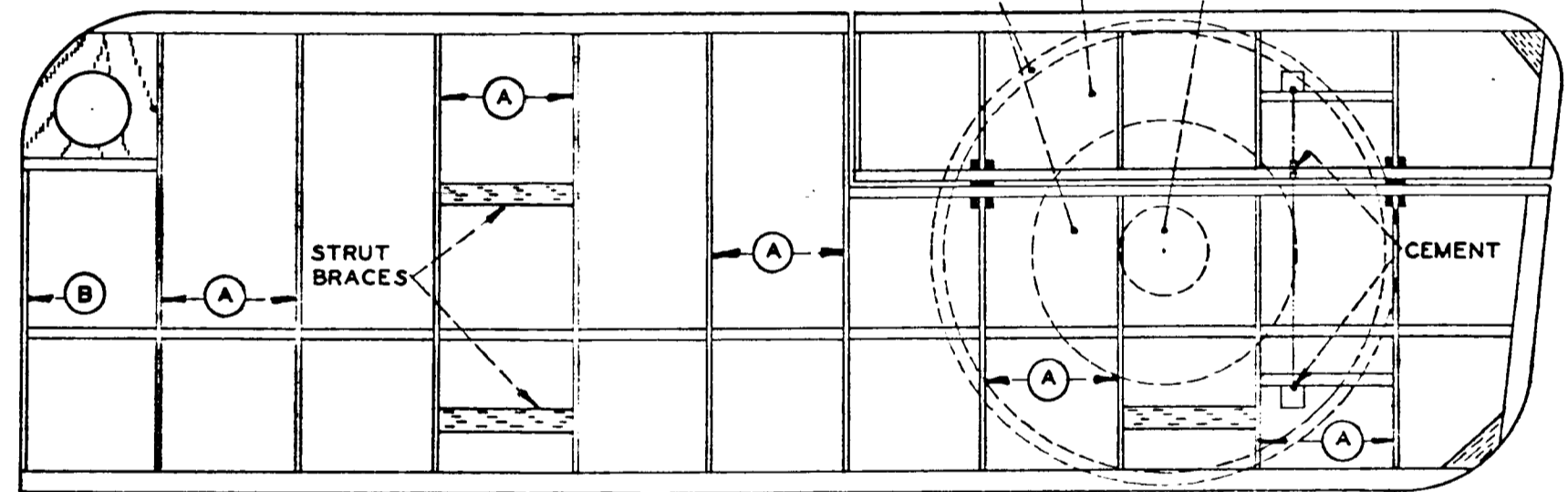
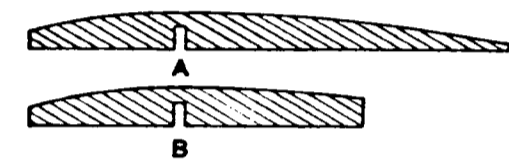
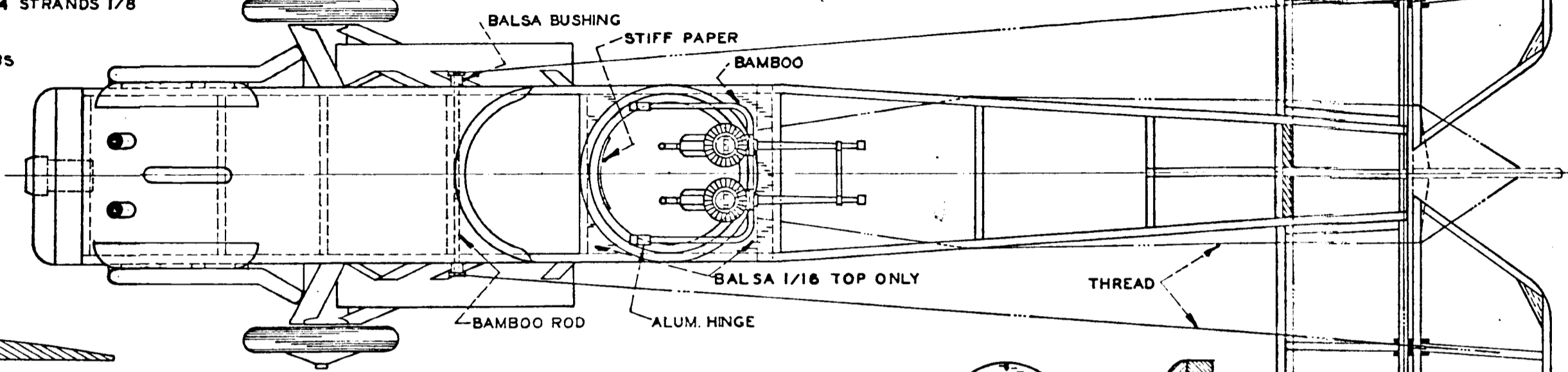
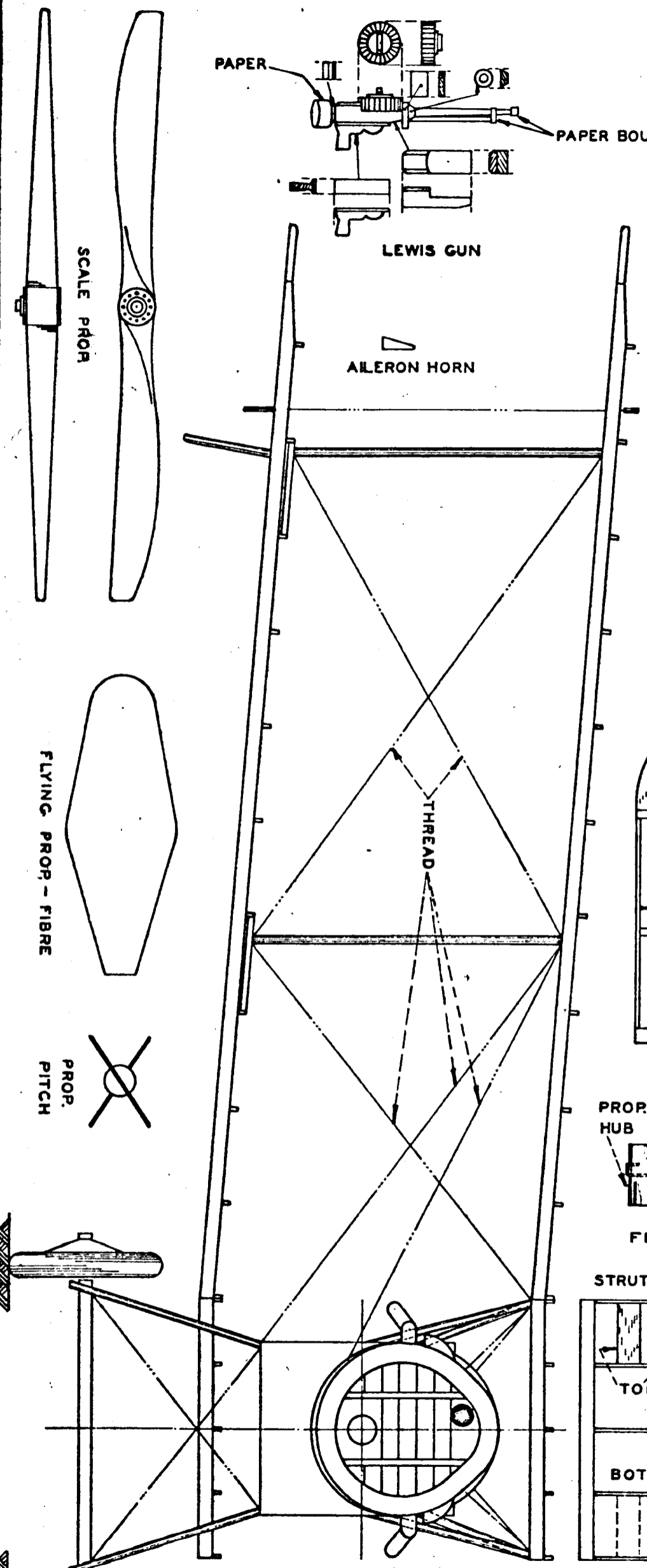
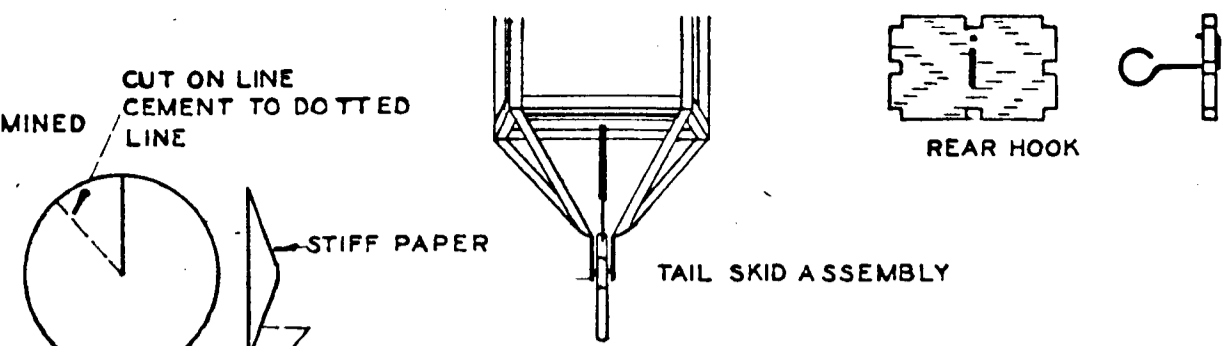


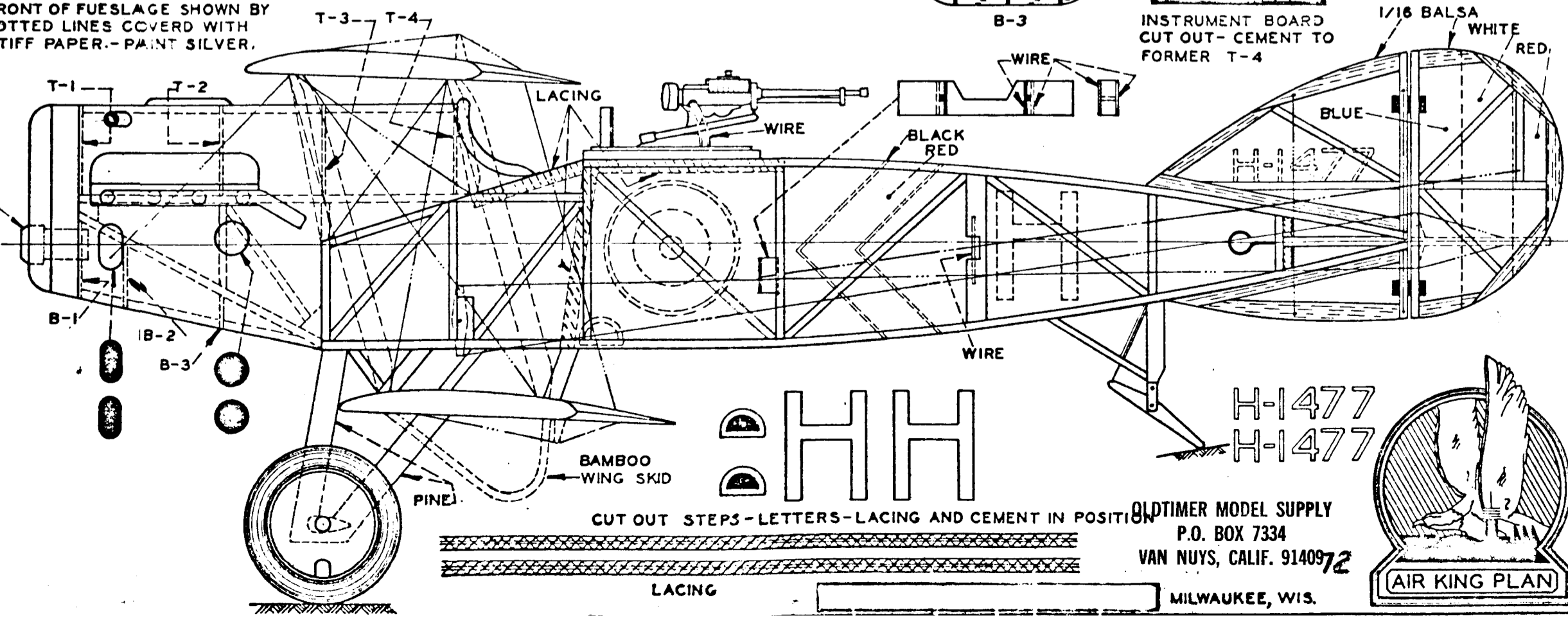
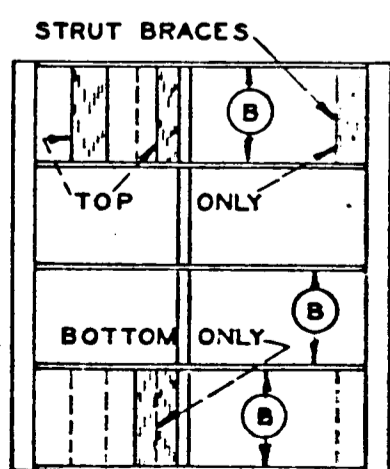
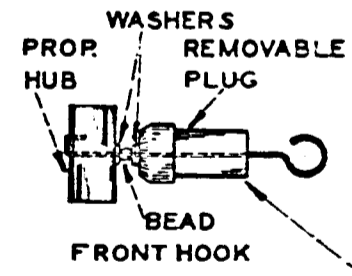
NOTE:-
THIS PLAN IS DRAWN TO SCALE
ALL MEASUREMENTS CAN BE DETERMINED
WITH A RULER.

COLOR SCHEME:-
BOTTOM OF WINGS WHITE
BALANCE KAKI
NOSE BLOCK RED
STRUTS TAN
DETAIL BLACK
MOTOR 3 TO 4 STRANDS 1/8

NOTE:-
ALL FORMERS - RIBS
1/32 Balsa



NOTE:-
FRONT OF FUESLAGE SHOWN BY
DOTTED LINES COVER WITH
STIFF PAPER. - PAINT SILVER.



BRISTOL FIGHTER
1/2" - 1'-0"
DESIGNED BY *A. P. Osell*

CENTER SECTION
STRUT BRACES ON LOWER
WING SECTION ONLY

H-1477
H-1477
OPTIMER MODEL SUPPLY
P.O. BOX 7334
VAN NUYS, CALIF. 9140972
MILWAUKEE, WIS.

