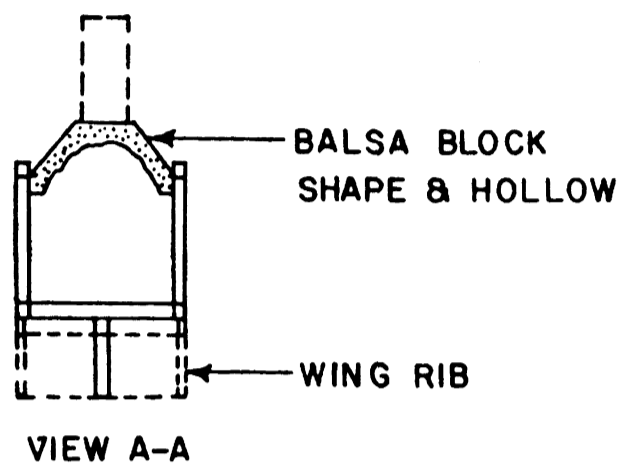
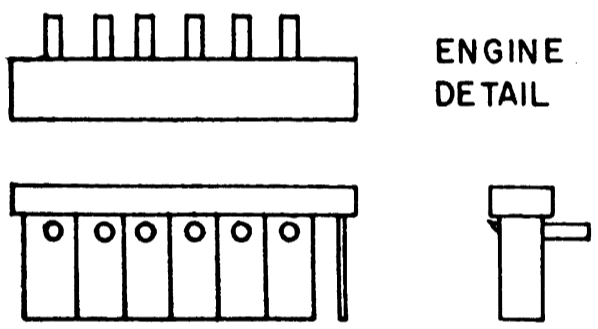


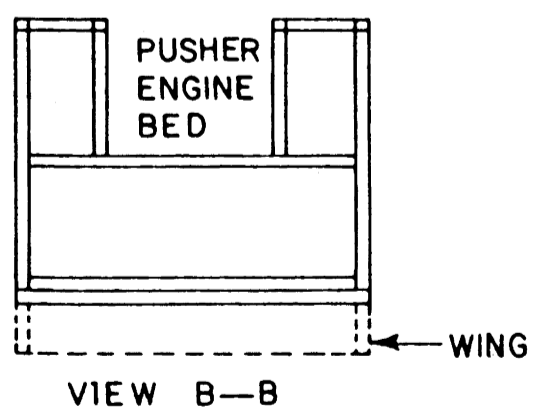
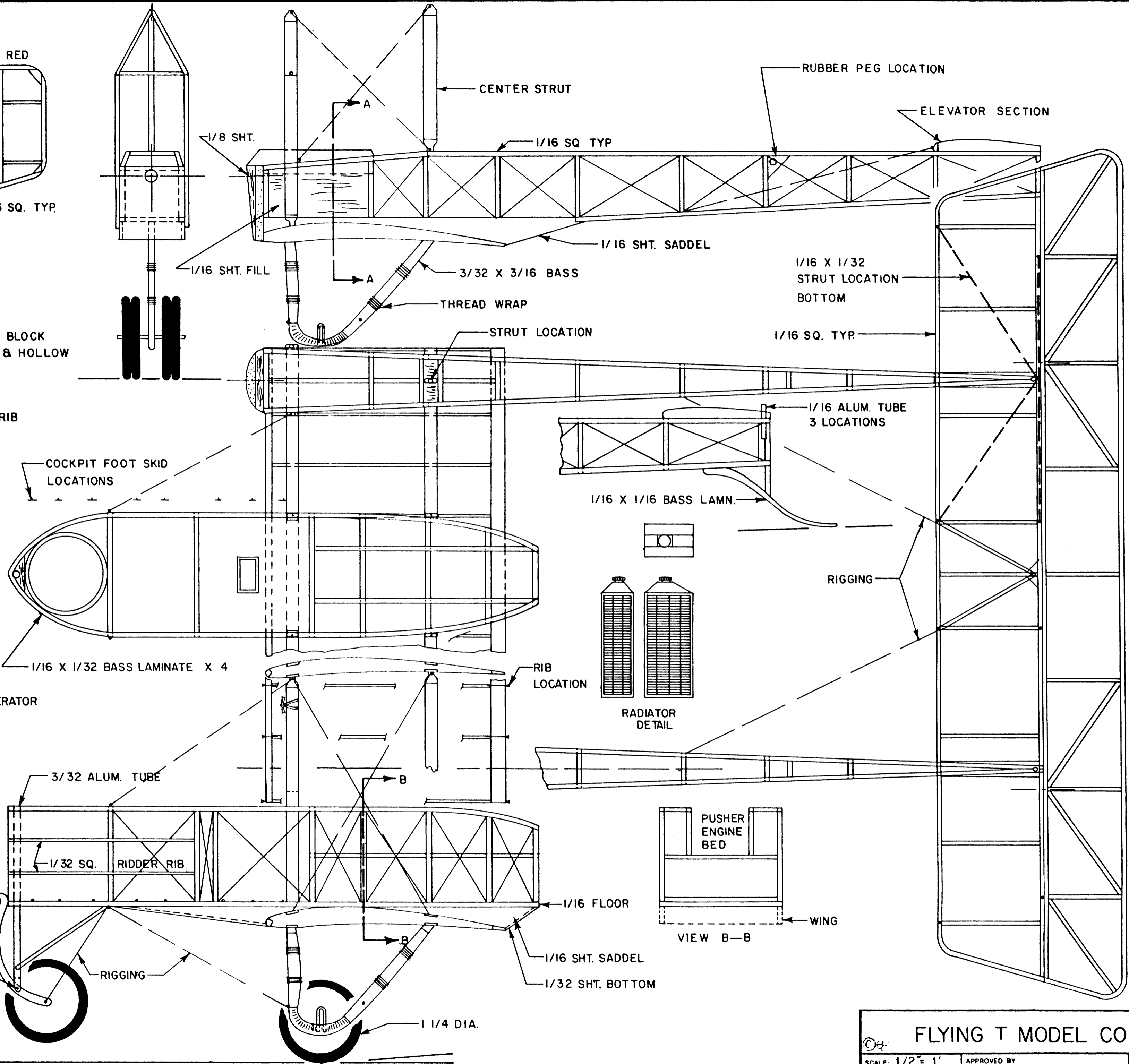
RUDDER DETAIL



VIEW A-A

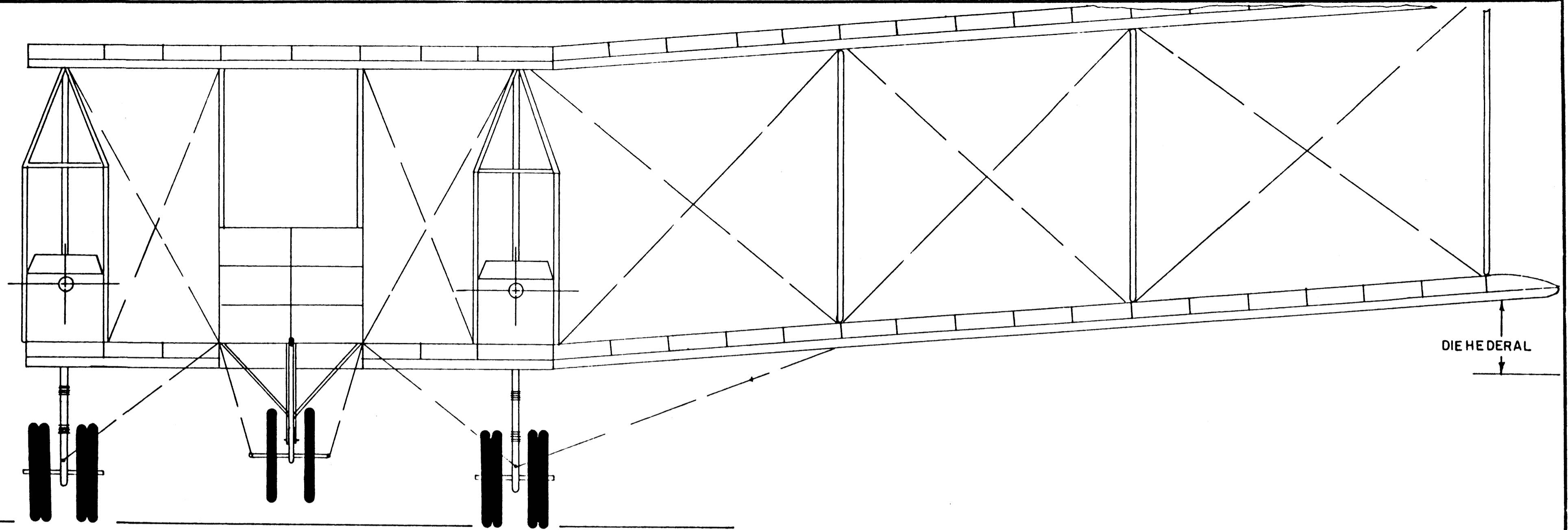


ENGINE DETAIL

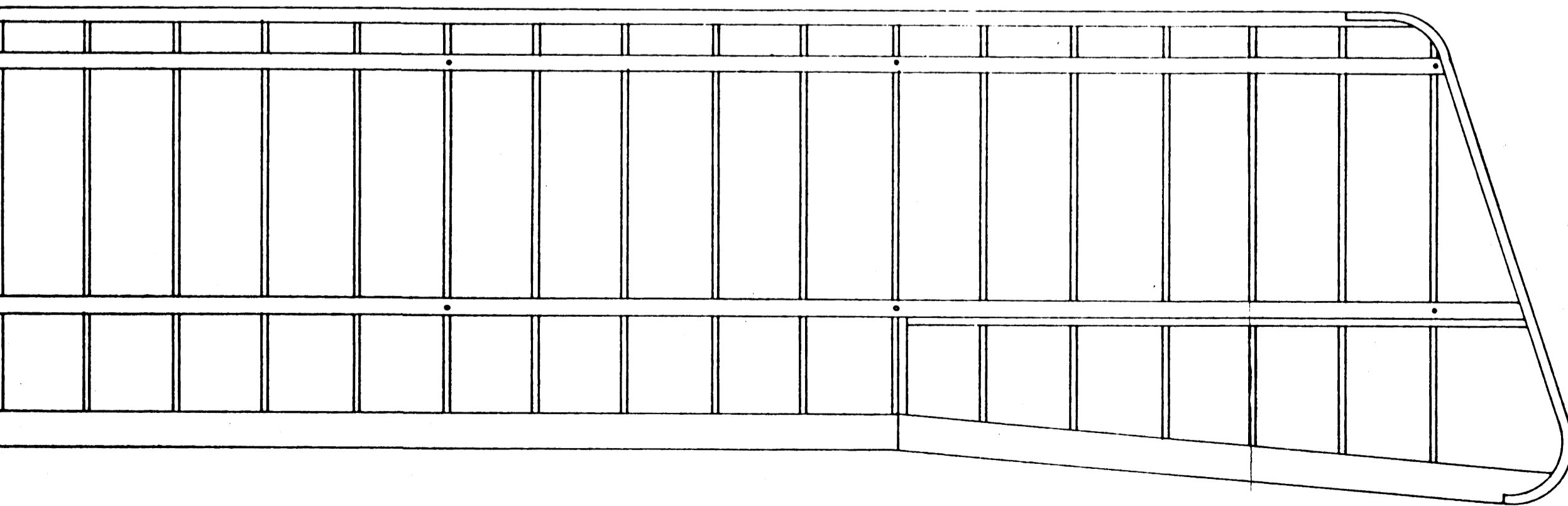
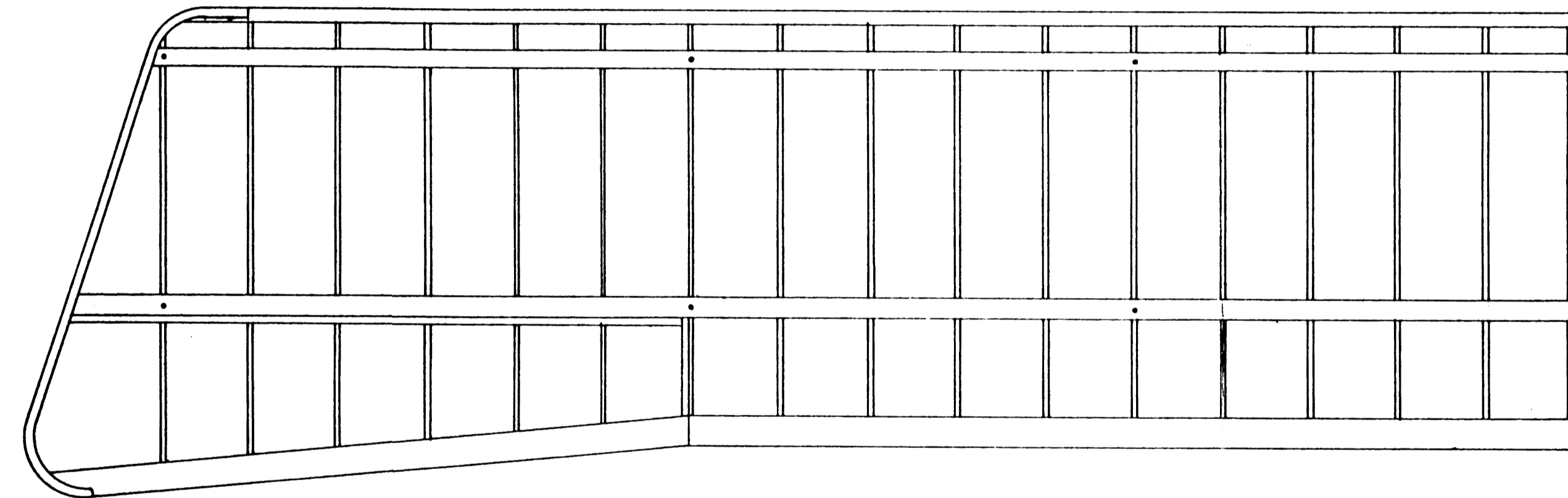


VIEW B-B

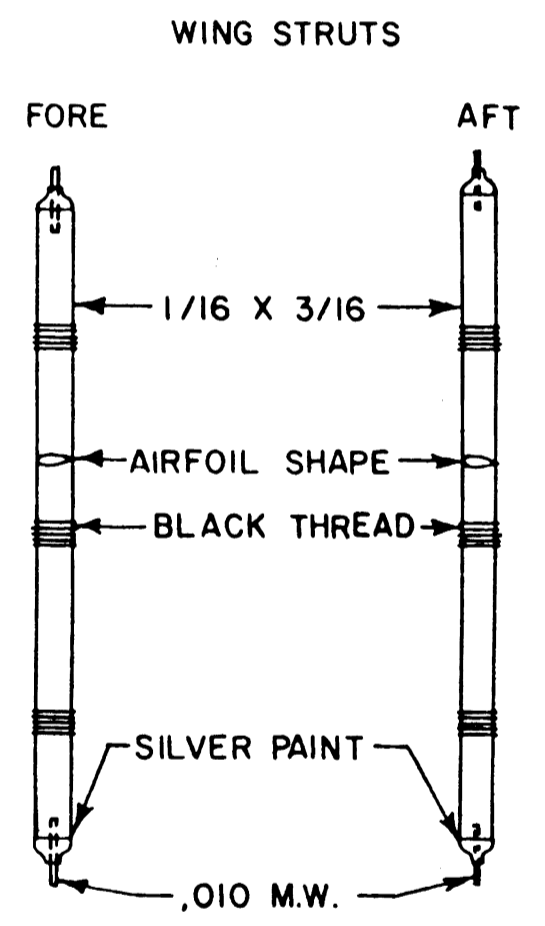
| | | |
|---------------------------|-------------|--------------------------|
| FLYING T MODEL CO. | | |
| SCALE: 1/2" = 1' | APPROVED BY | DRAWN BY |
| DATE: 9/7/88 | | <i>Joseph A. Caproni</i> |
| CAPRONI CA. 3 | | DRAWING NUMBER |
| | | 015-11 |



DIE HEDERAL



- WINGS**
- TRAILING EDGE 1/16 X 1/4
 - SPARS 1/32 X 3/16
 - RIBS 1/32 THICK
 - LEADING EDGE 1/8 SQ.
 - TIP BOWS 1/32 X 1/16 LAMN.



- COLOR SCHEME**
- AIRFRAME ASH
 - STRUTS SPRUCE
 - COVERING LINEN & SILK BLEND

| | | |
|---|-------------|---------------------------|
| FLYING T MODEL CO. | | |
| <small>QEE</small> SCALE: 1/2" = 1" DATE 9/7/88 | APPROVED BY | DRAWN BY <i>Royall</i> |
| CAPPRONI CA. 3 | | |
| | | DRAWING NUMBER 015-12 |