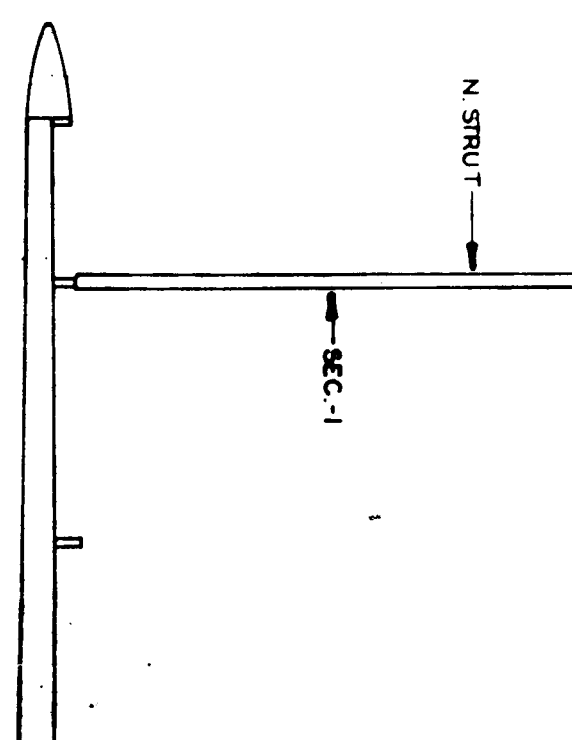
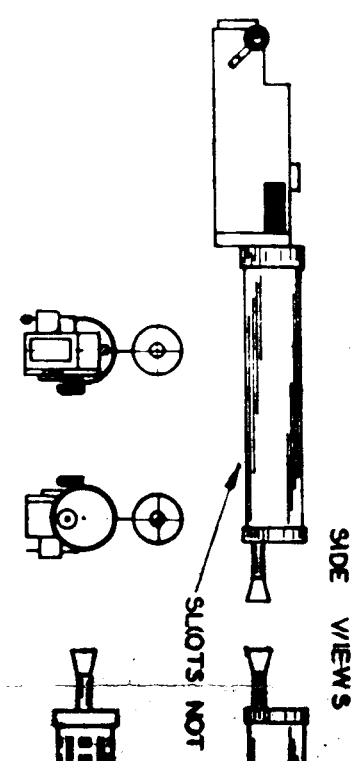
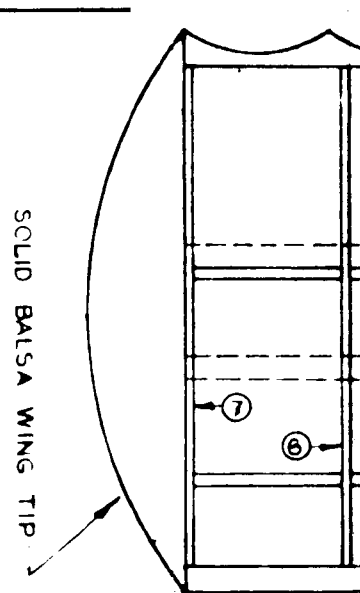
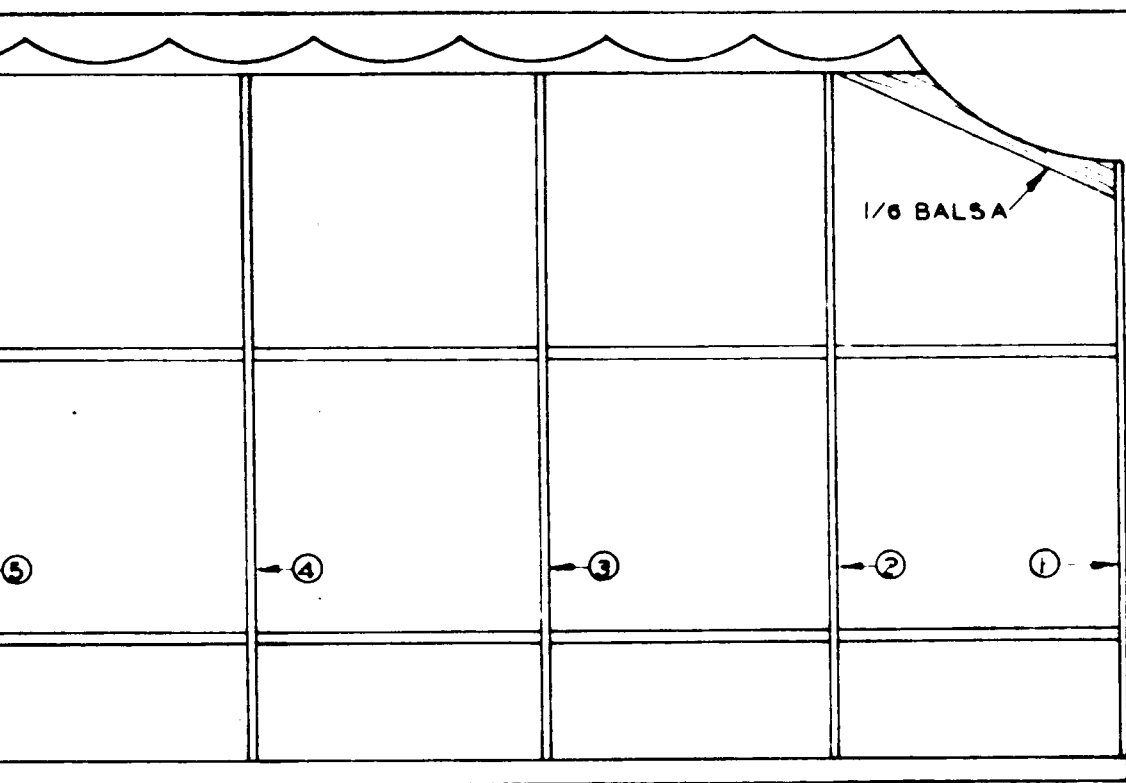
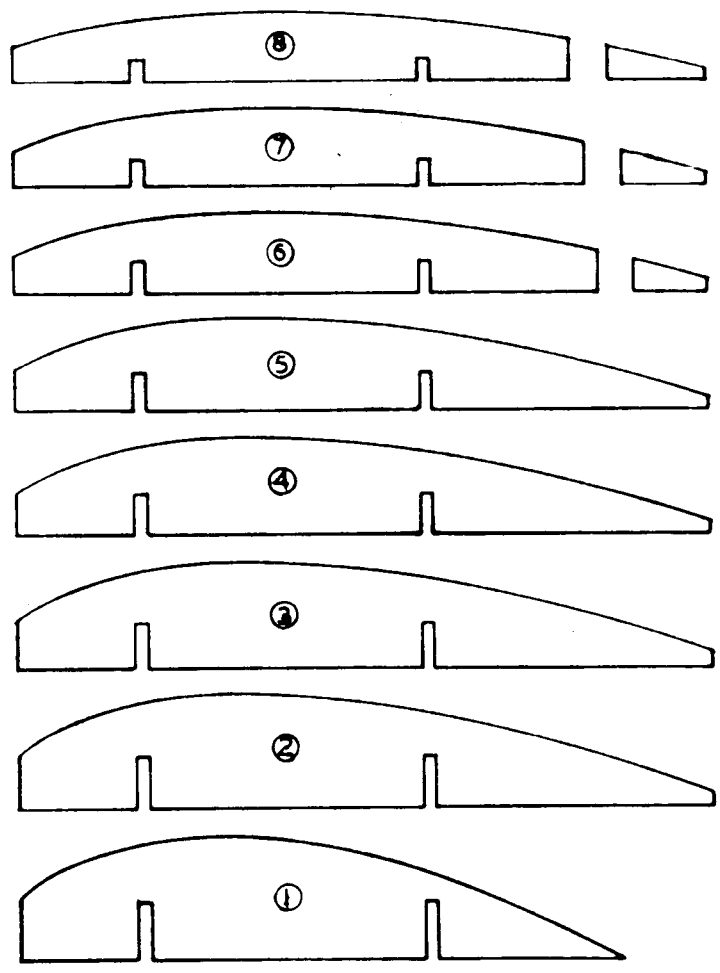
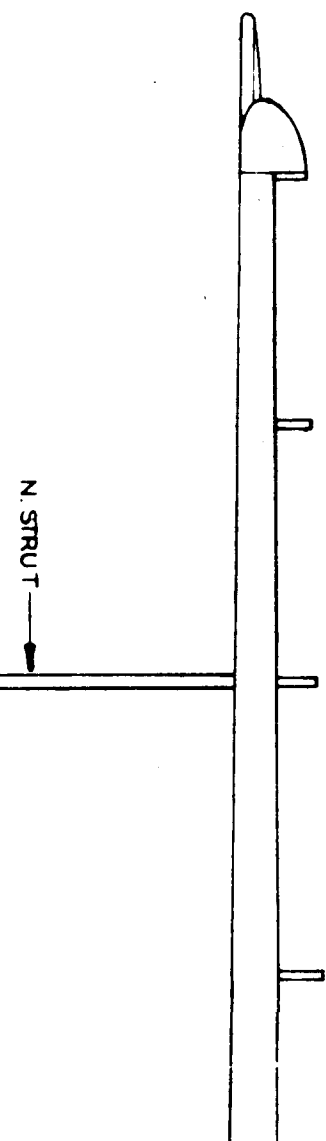
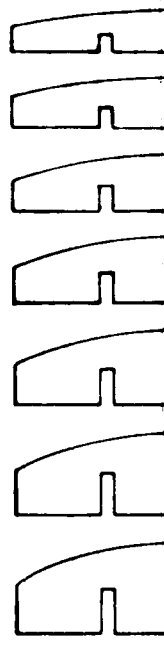


SPANIDAU GUN
 2 RED F.L.
 LEFT GUN SH



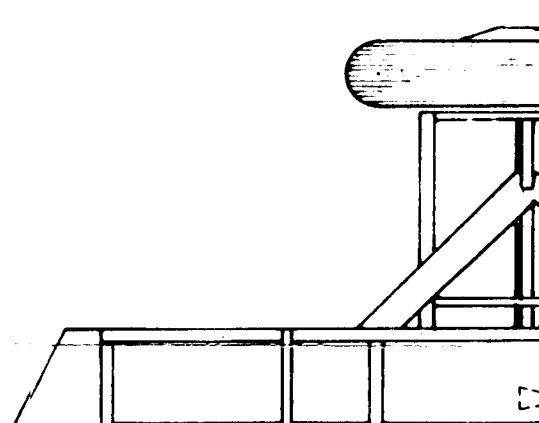


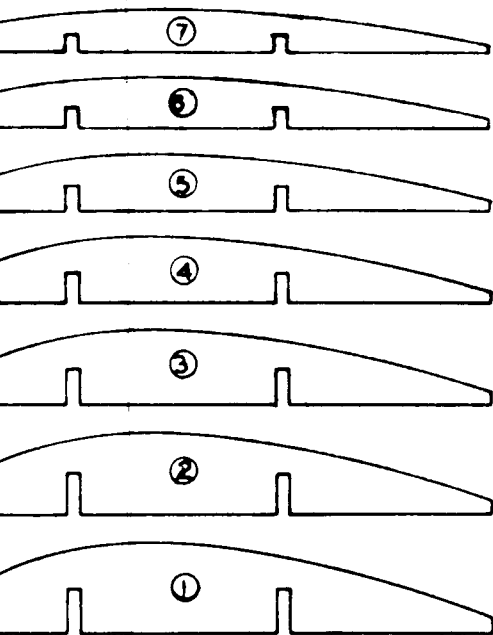
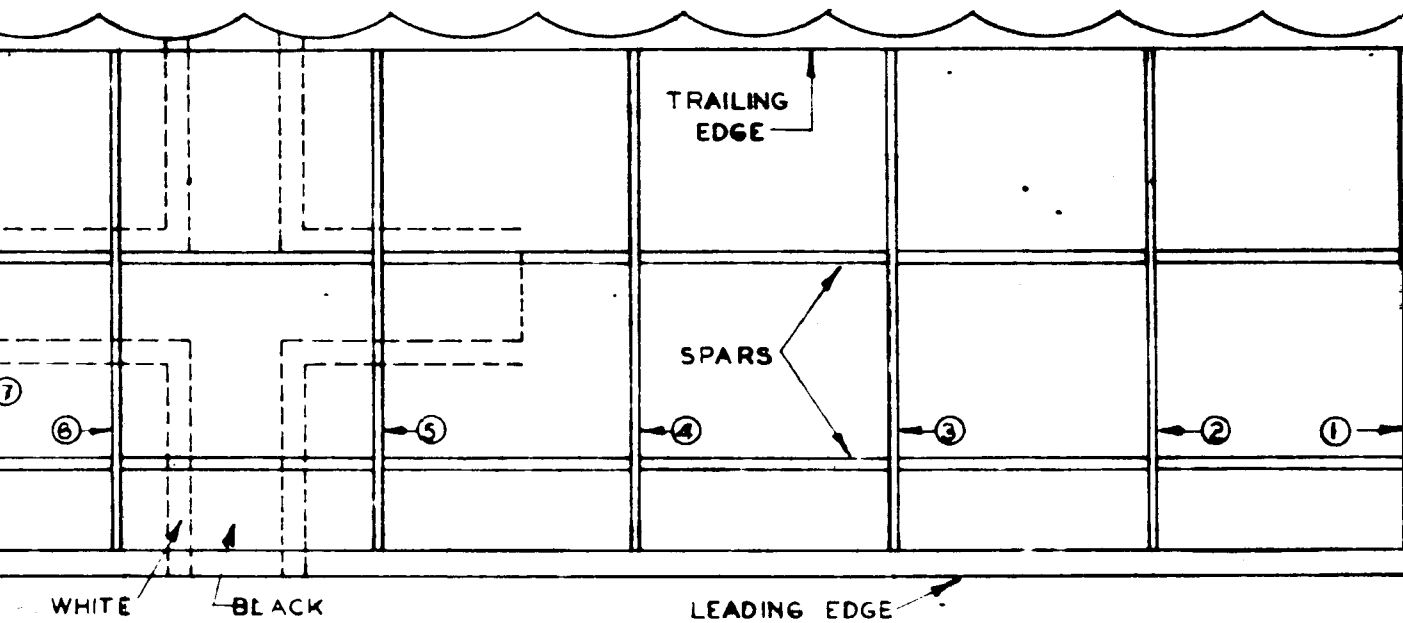
WHITE



RIBS:-
MAKE 2 OF EACH

NOTE:-
FORMERS & RIBS 3/64 Balsa
LEADING EDGE





ENLARGED SECTIONAL VIEW THRU

SEC-1

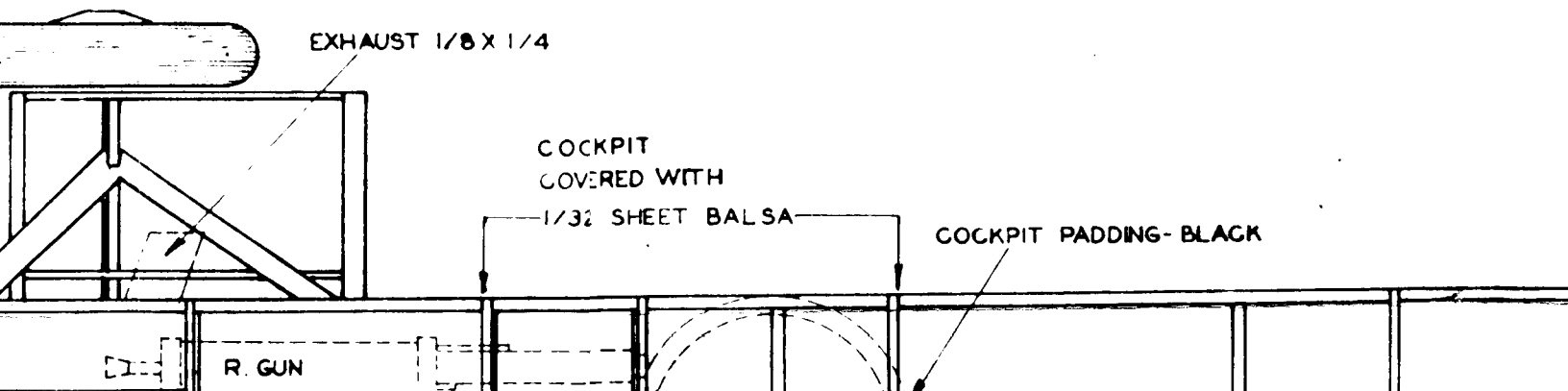
SEC-2

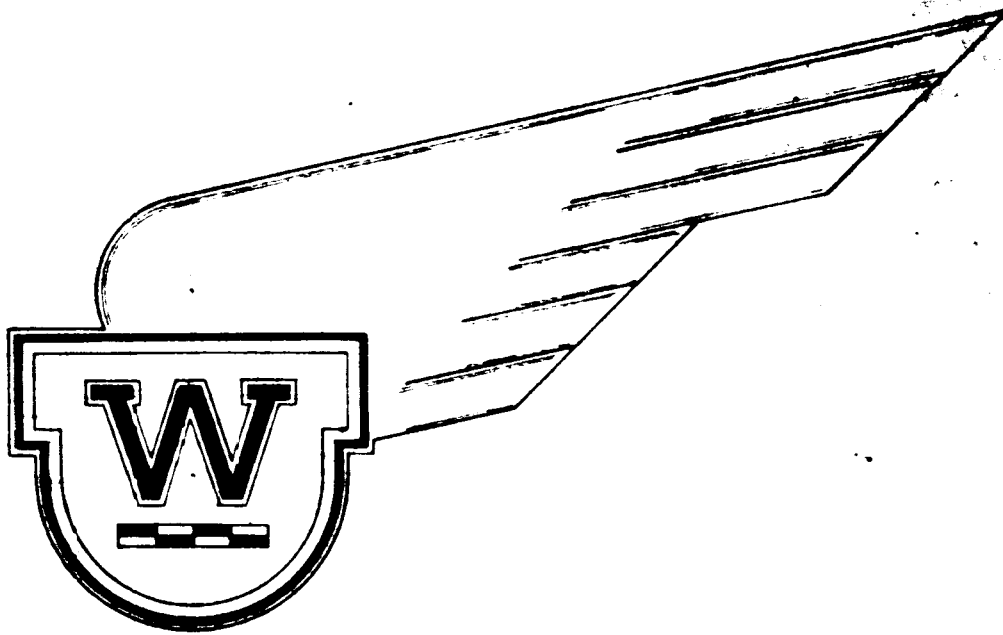
SEC-3



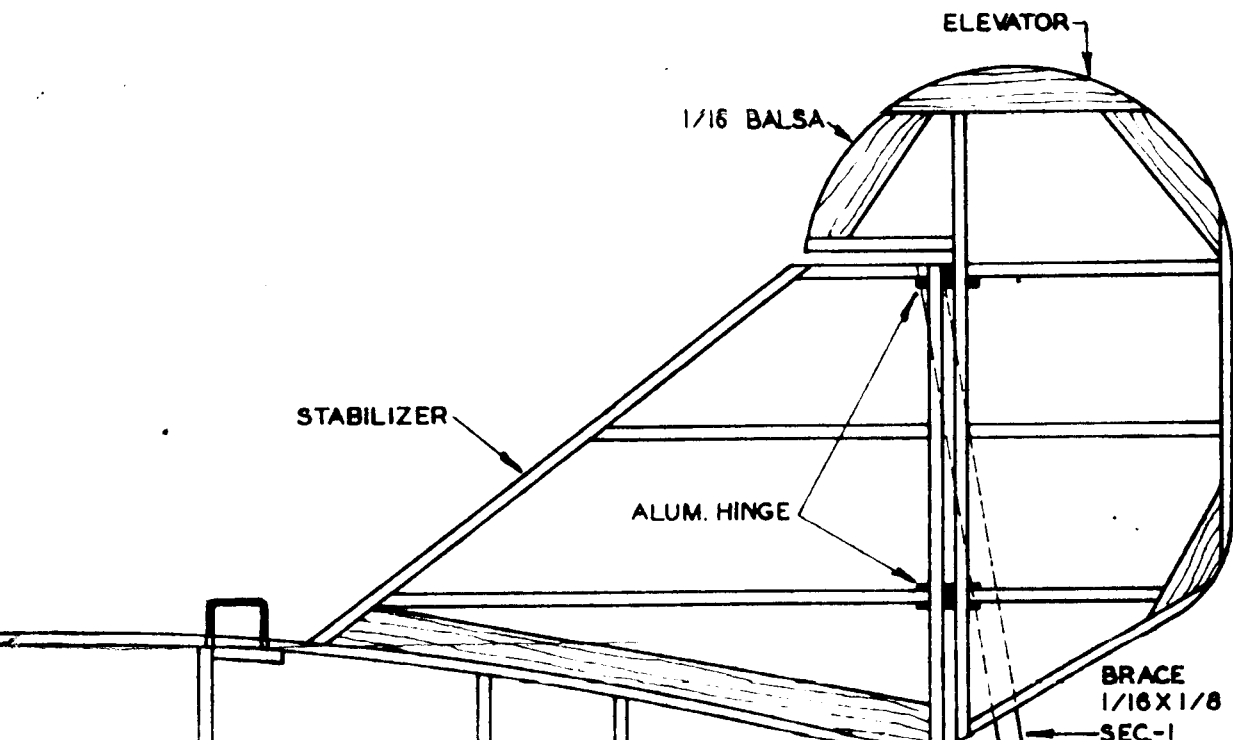
COLOR SCHEME:-
 FUESLAGE - SPREADER BAR
 WINGS - ELEVATOR - STABILIZER
 FIN - RUDDER
 STRUTS - TIRES
 CENTER OF WHEELS
 GUNS - HANDLES

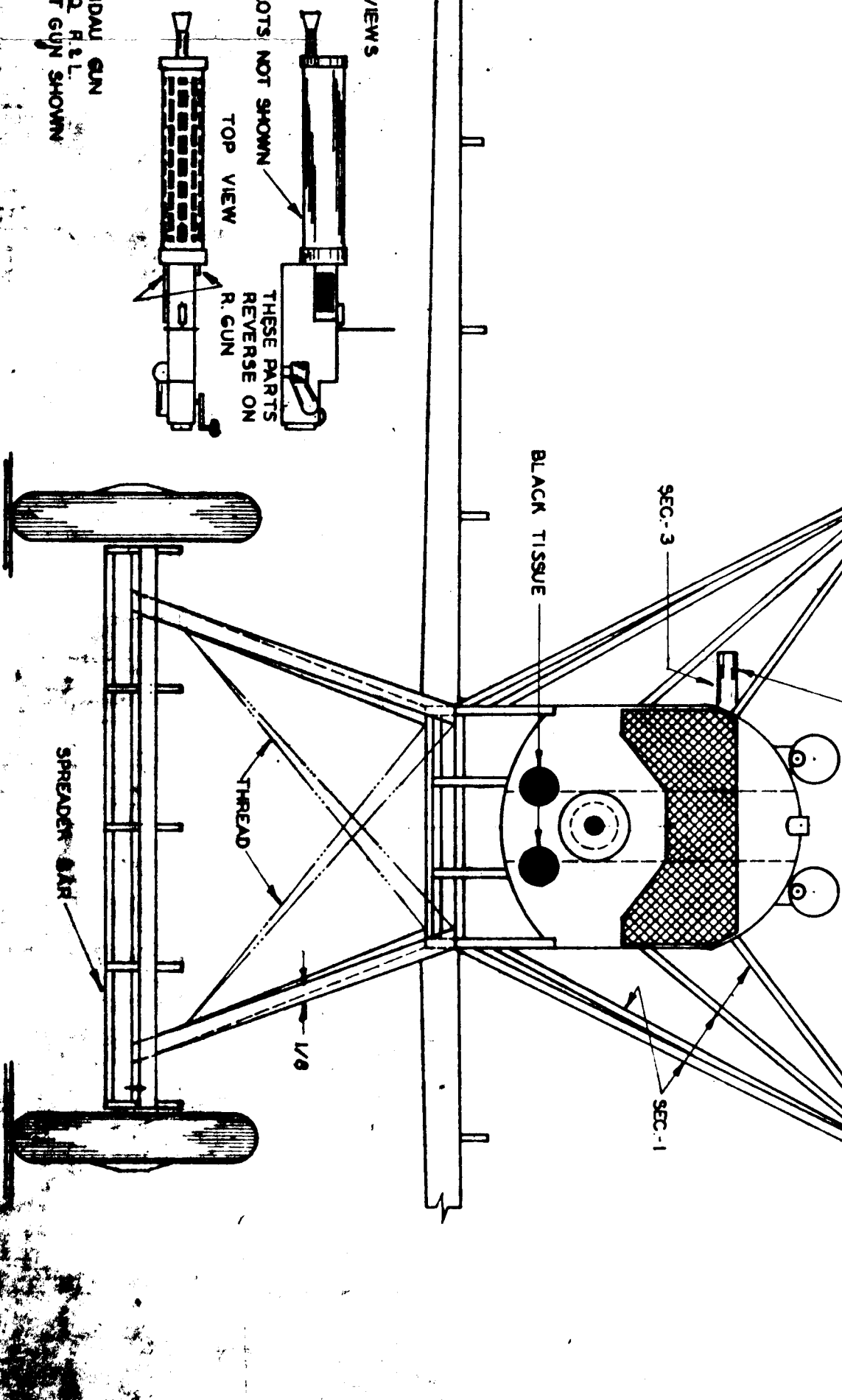
GREEN
 ORANGE
 WHITE
 BLACK
 GREEN
 BLACK





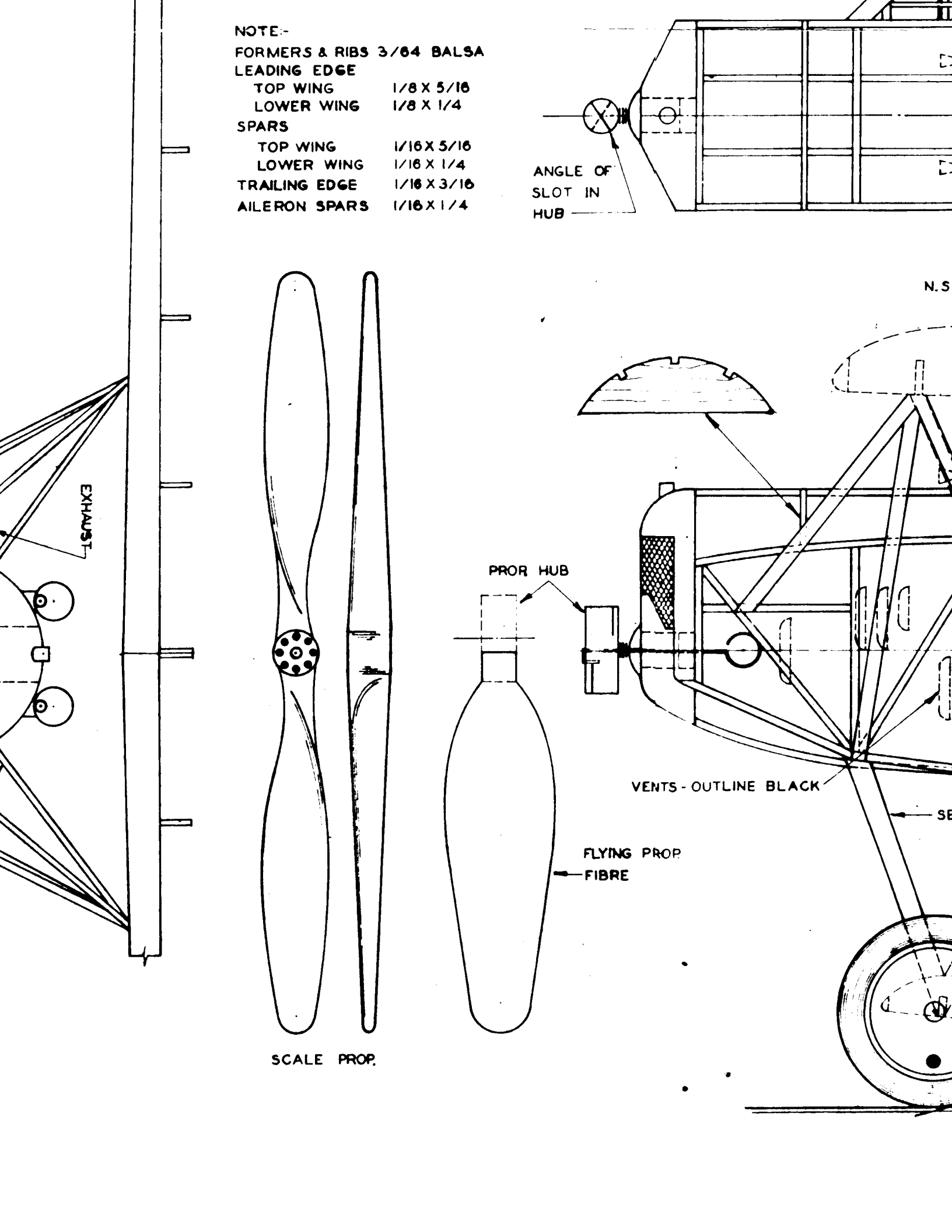
THIS PLAN IS DRAWN ACCURATLEY TO SCALE.
ALL MEASUREMENTS CAN BE DETERMINED WITH A RULER.





NOTE:-
 FORMERS & RIBS 3/64 Balsa
 LEADING EDGE
 TOP WING 1/8 X 5/16
 LOWER WING 1/8 X 1/4
 SPARS
 TOP WING 1/16 X 5/16
 LOWER WING 1/16 X 1/4
 TRAILING EDGE 1/16 X 3/16
 AILERON SPARS 1/16 X 1/4

ANGLE OF
 SLOT IN
 HUB



EXHAUST

SCALE PROP.

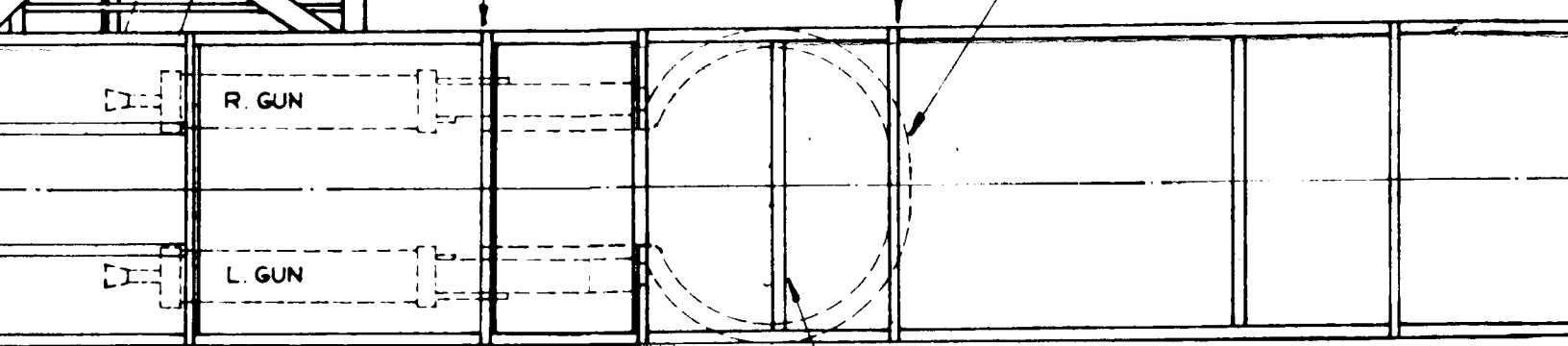
PROR HUB

VENTS - OUTLINE BLACK

FLYING PROP
 FIBRE

N.S

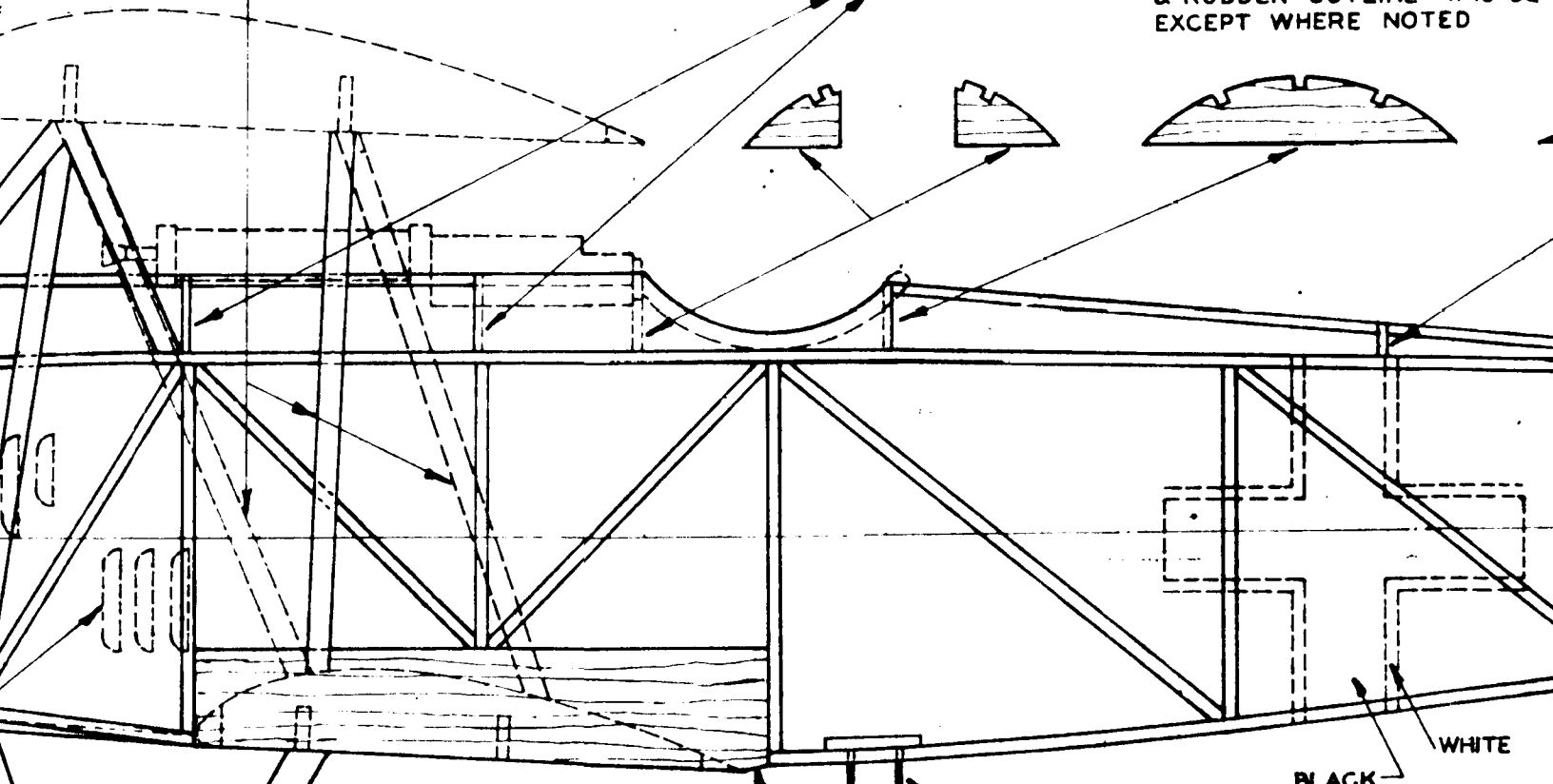
SE



GROSS BRACE AT
BOTTOM ONLY

N. STRUT

LONGERONS-CROSS BRACES
FAIRING STRIPS-ELEVATOR-
& RUDDER OUTLINE 1/16 SQ
EXCEPT WHERE NOTED



SEC-2

1/16 Balsa

WIRE

BLACK

WHITE

1/16 X 1/8

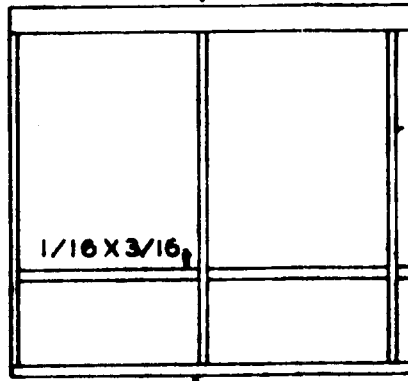
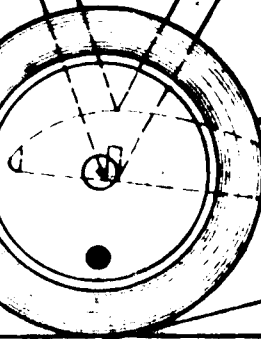
3/16

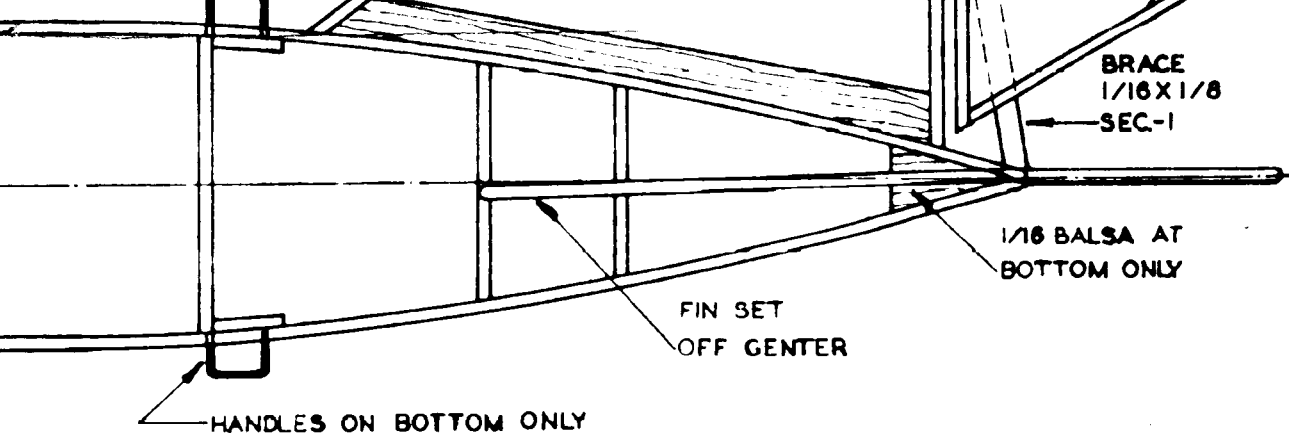
1-7/8 WHEEL

3/64 Balsa

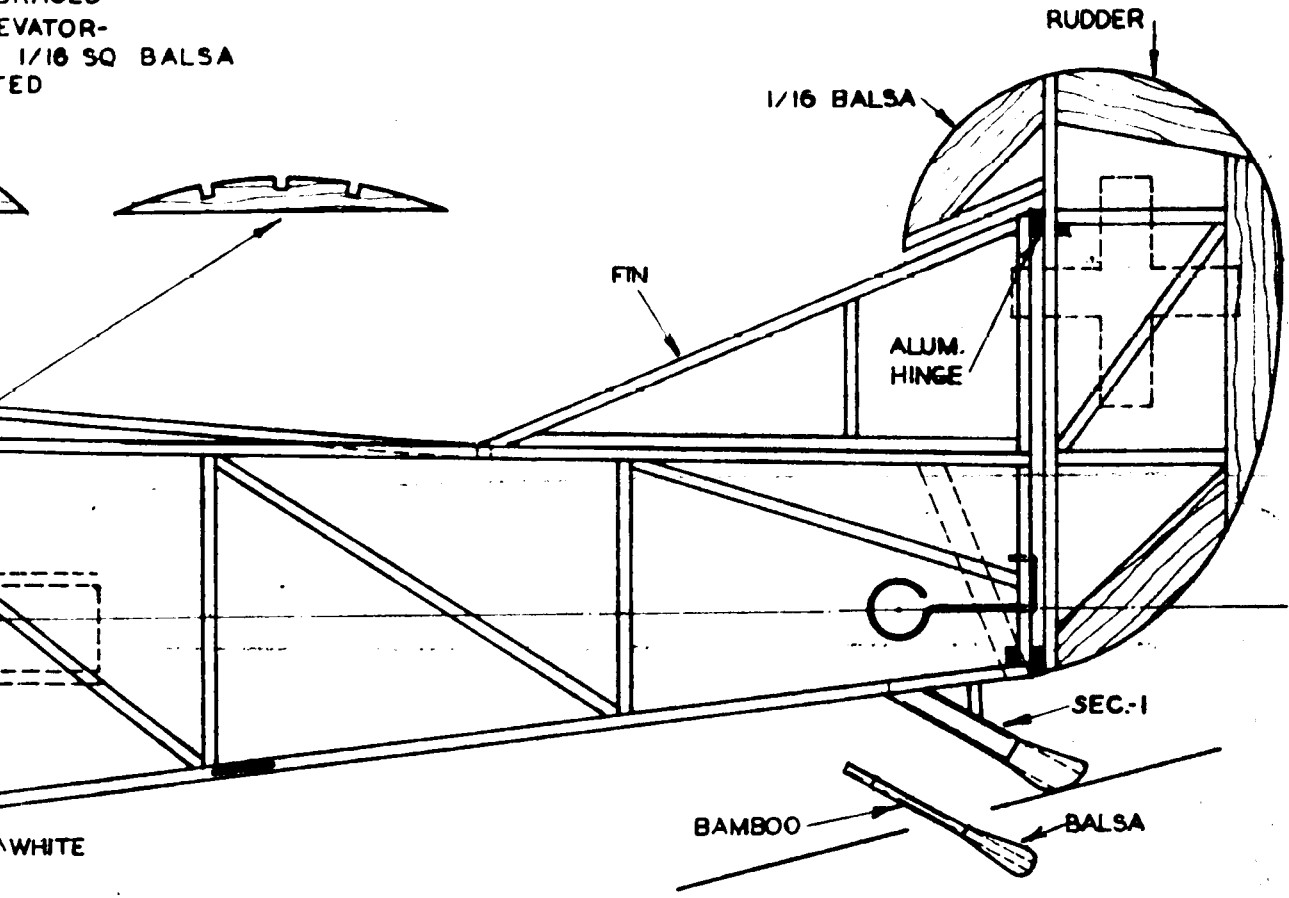
1/16 X 1/8

SPREADER

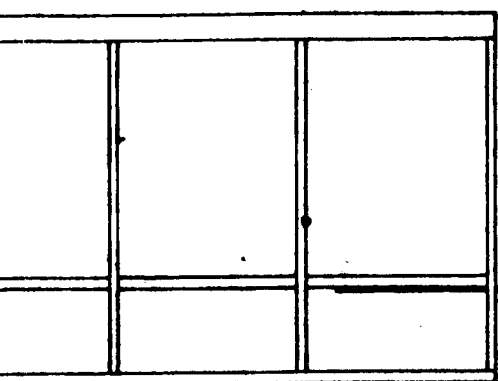




BRACES
ELEVATOR-
1/16 SQ Balsa
ED



WHITE



SPREADER BAR

AXLE-WIRE

OLDTIMER MODEL SUPPLY
P.O. BOX 7334
VAN NUYS, CALIF. 91409

FOKKER - D 7	
WINGS MODEL AIRPLANE- CO. 2444 MONTROSE AVE. CHICAGO ILLINOIS	
DES' NO. BY <i>A.P. Schiel</i>	SCALE - FULL SIZE
DRWG. NO. W-100	DATE 1-18-34