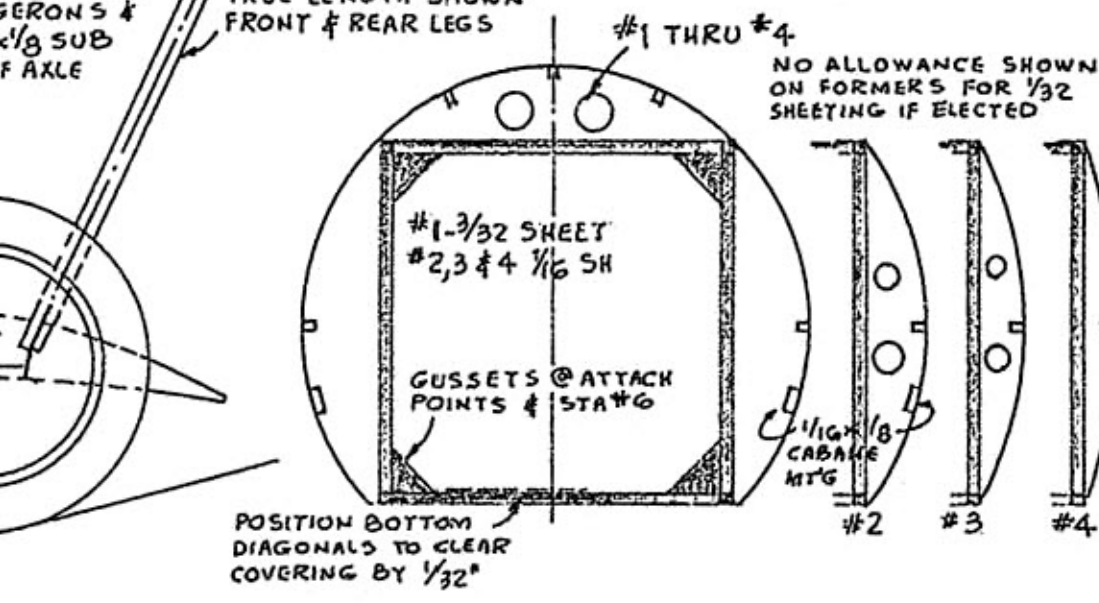
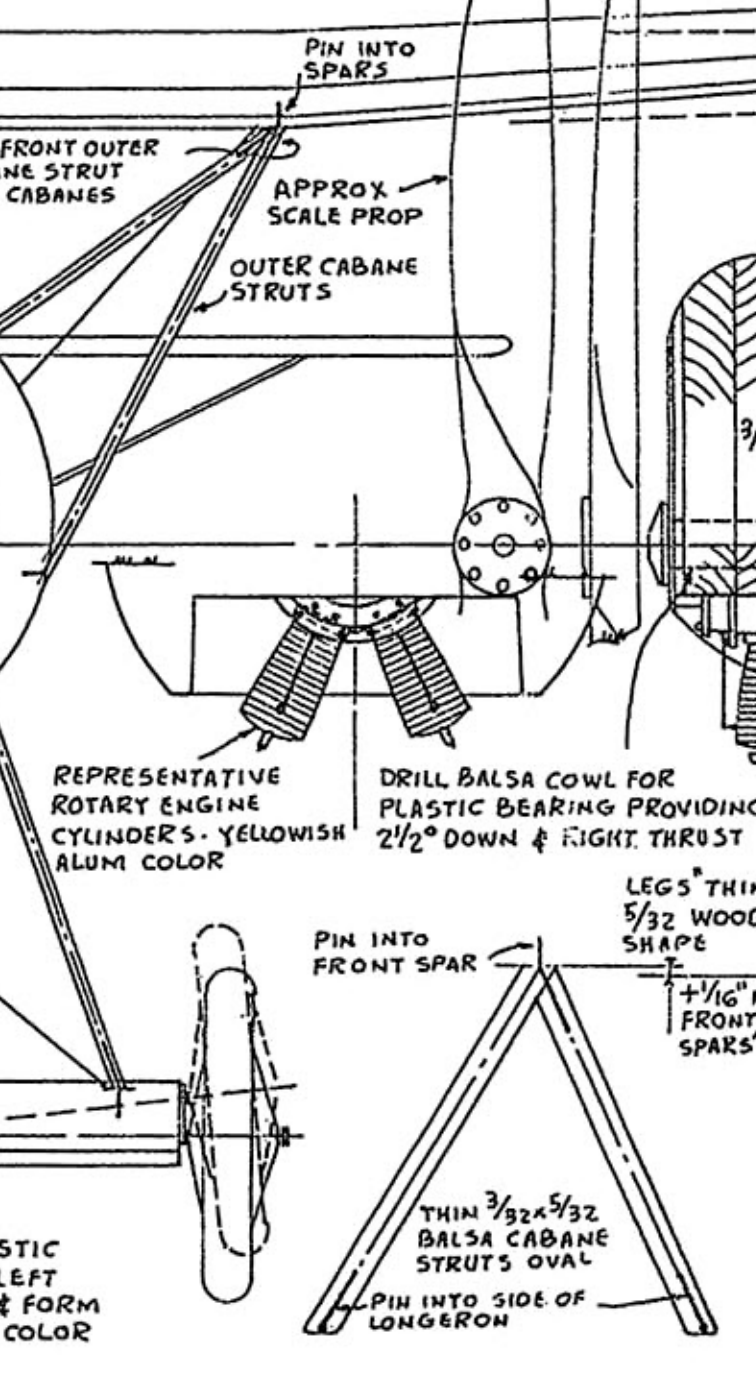
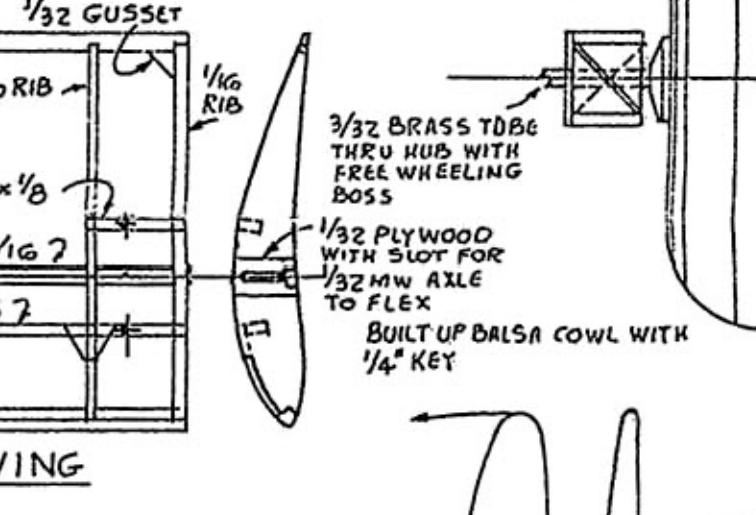
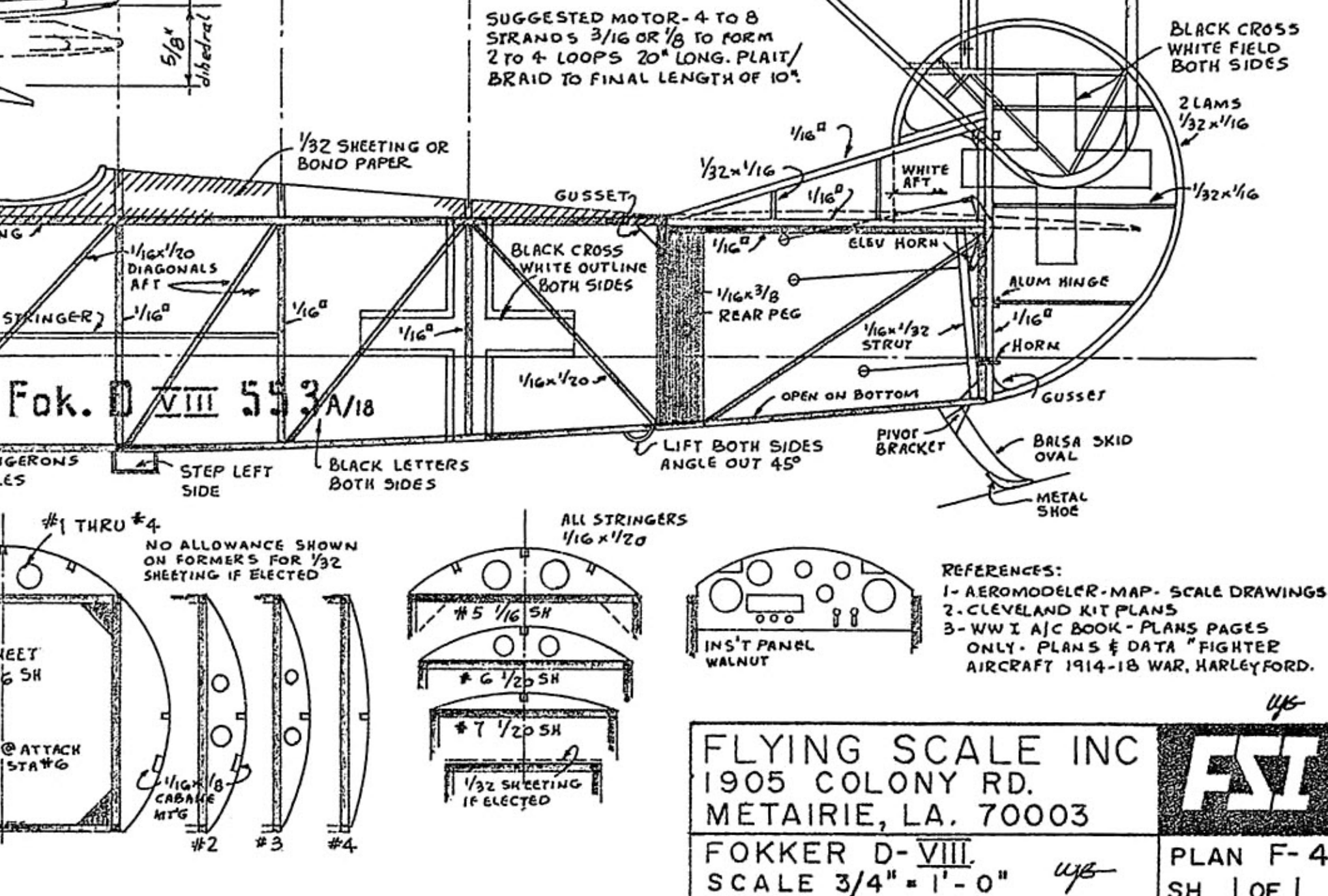
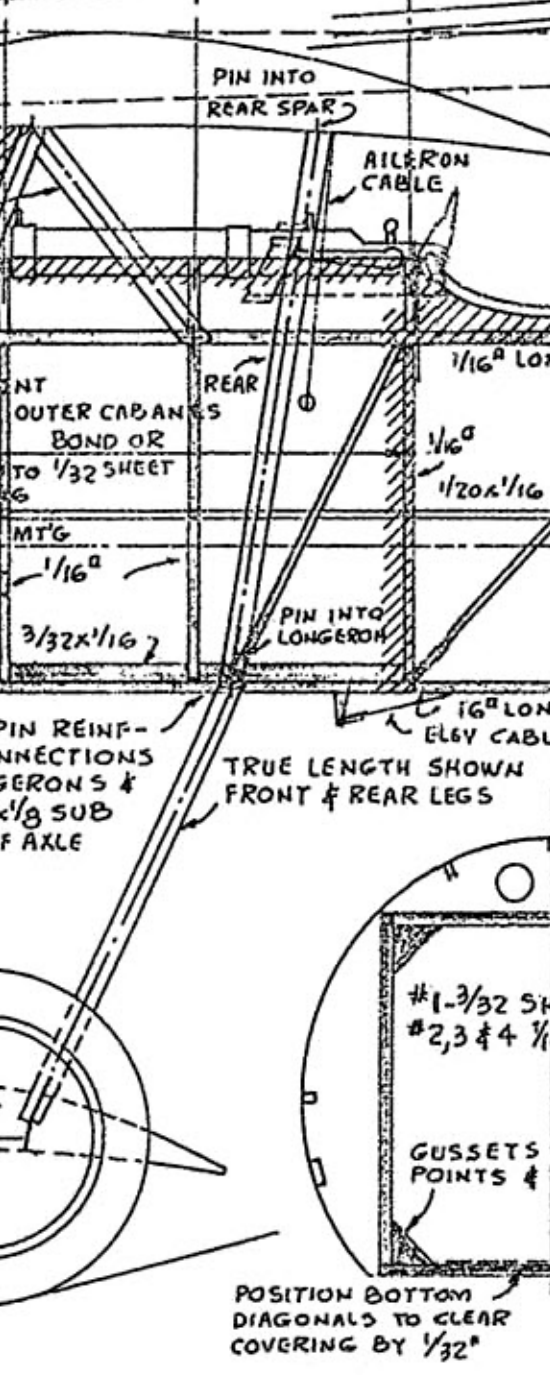
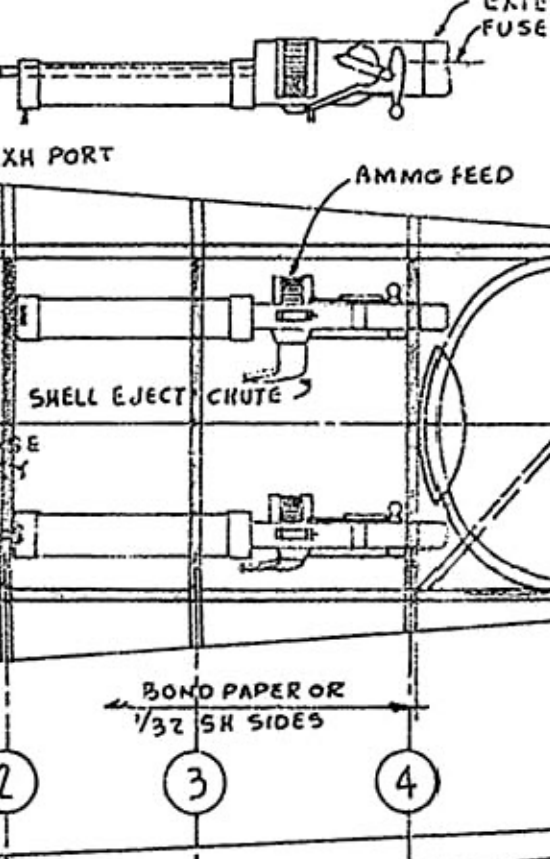
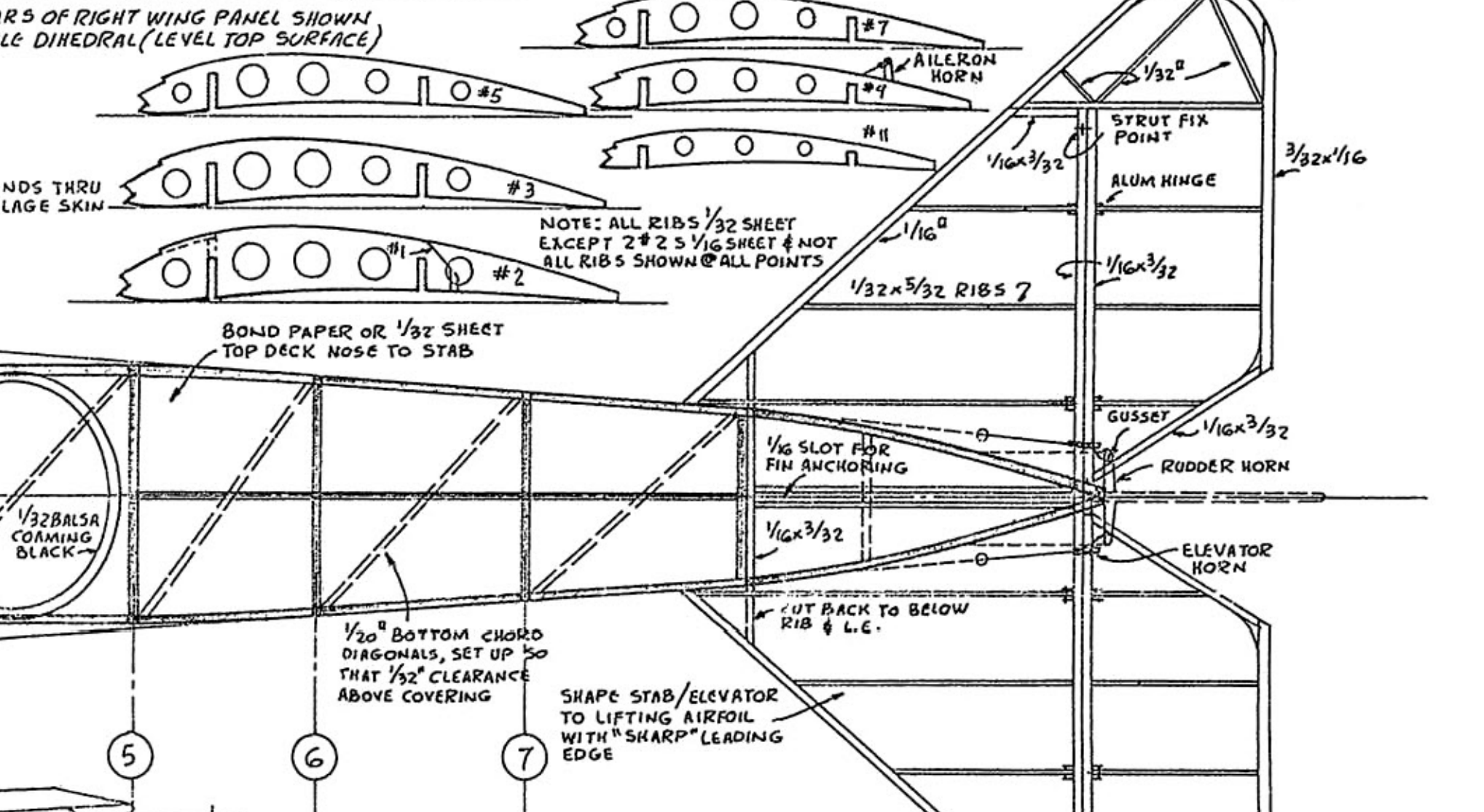
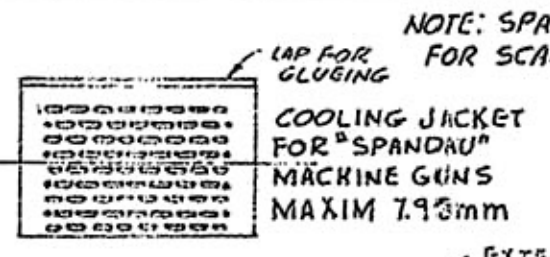
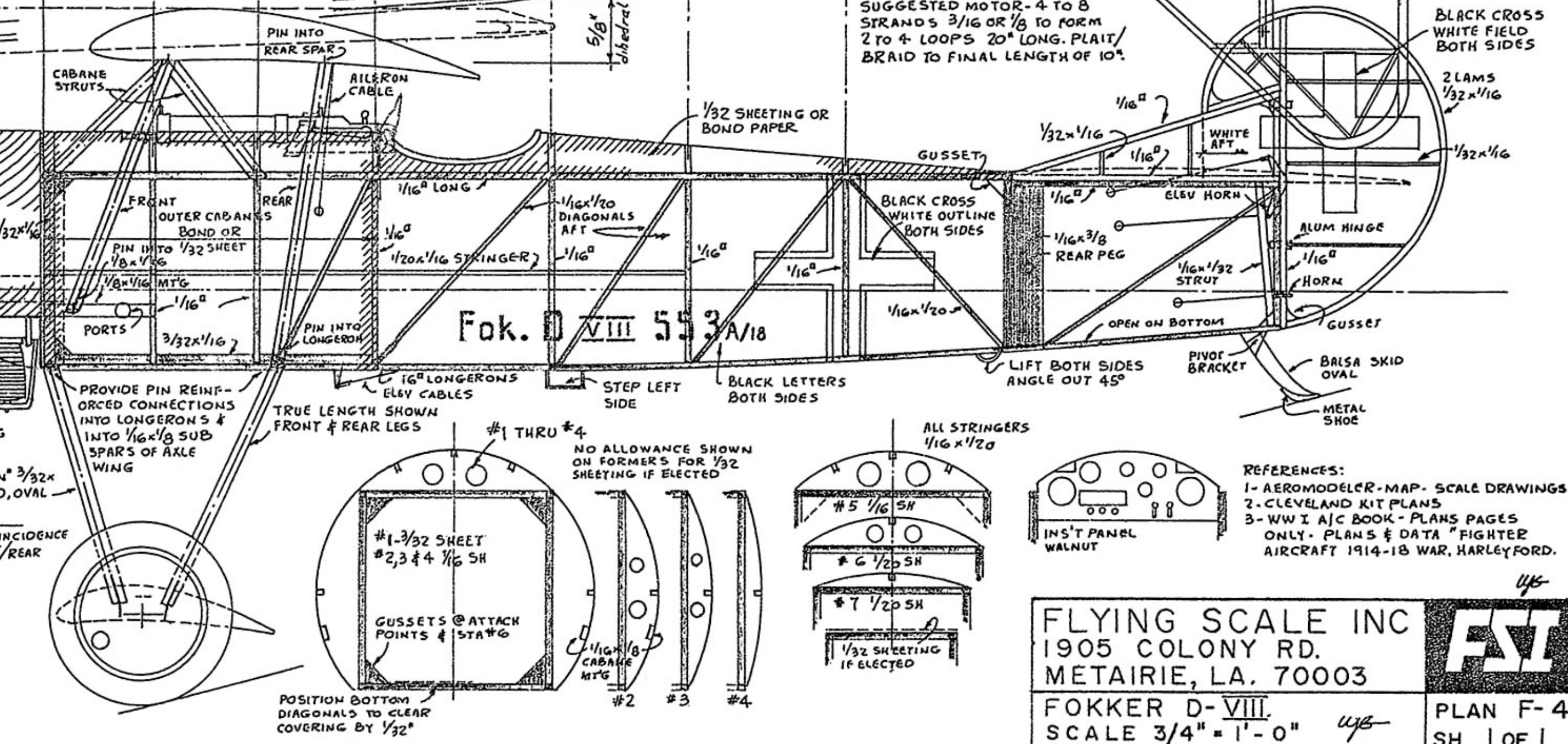
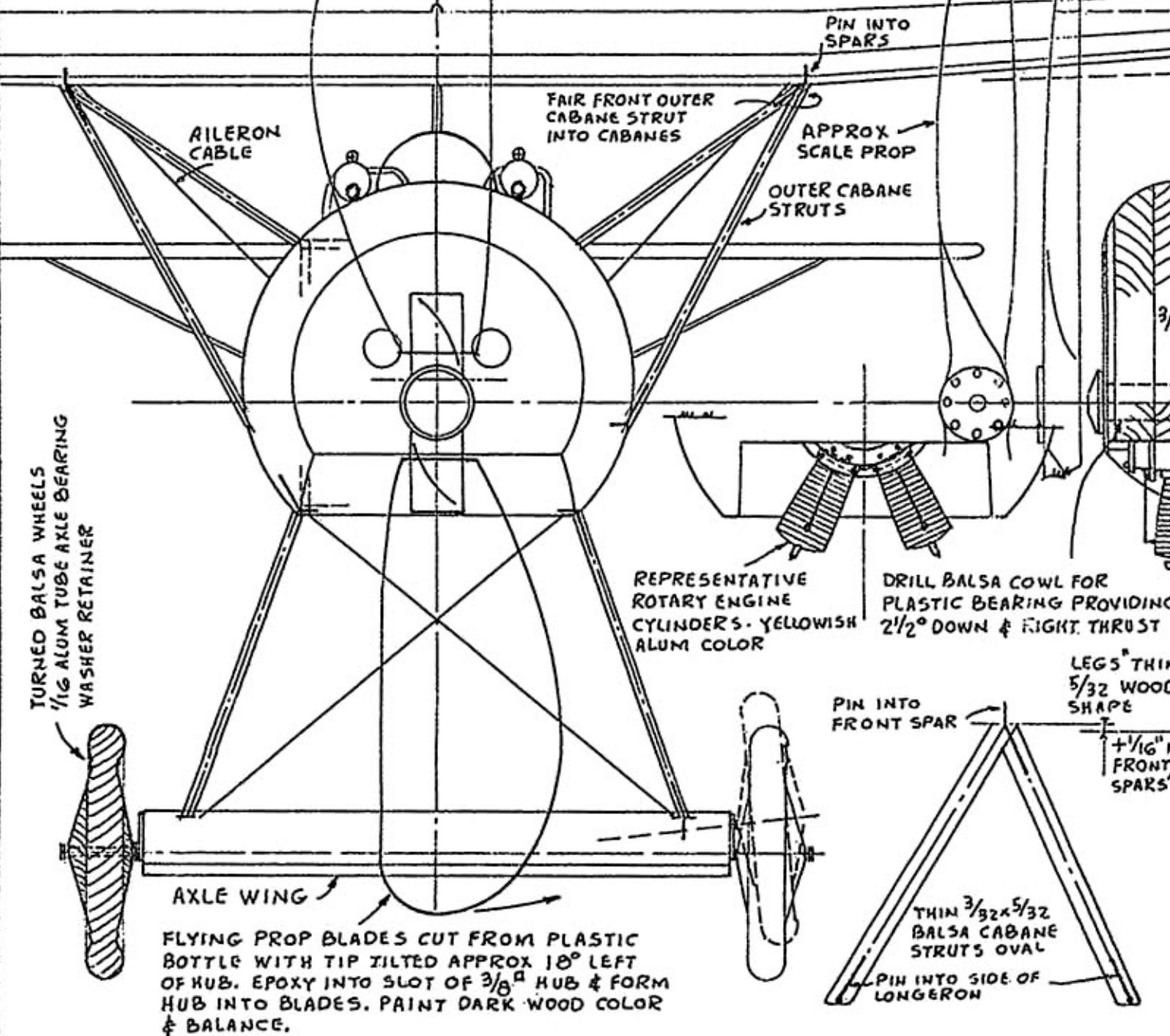
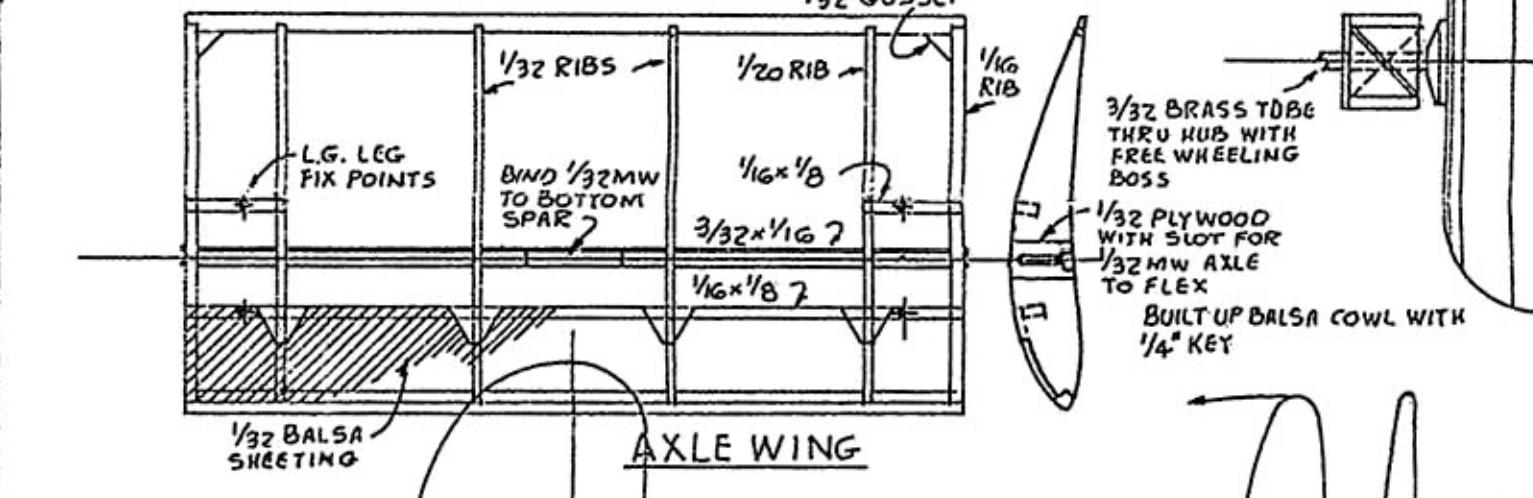
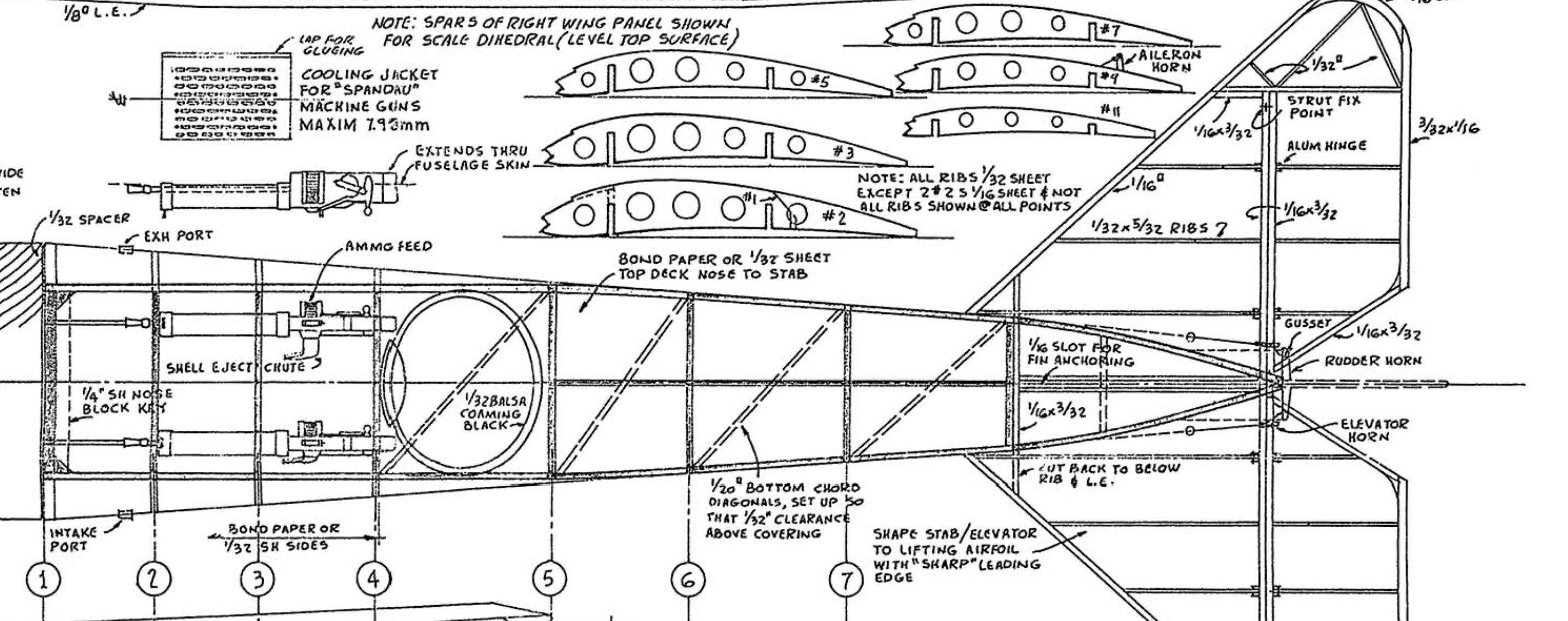


**APPROXIMATE CAMOUFLAGE PATTERN 1917-1918**

SYMBOL	UPPER SURFACES	LOWER SURFACES
1	BLUE 5PB 2/6	BLUE 2.5PB 4/4
2	PURPLE 5PB 3/4	PURPLE 5PB 4/4
3	BLUE-GREEN 7.5BG 3/4	BLUE-GREEN 7.5BG 4/4
4	GREEN 7.5GT 4/4	LILAC 5RP 5/6
5	OCBRE 2.5Y 5/4	YELLOW 10YR 6/6

**GENERAL NOTES:**  
 1- FABRIC SEWED TOGETHER ALONG LENGTH TO PROVIDE PROPER WITHS NEEDED, SAY WING CHORD, & PATTEN DID NOT MATE WITH ADJOINING PIECE.  
 2-AILERONS, ELEVATORS COVERED SEPARATELY  
 3- LOWER SURFACES LIGHTER  
 4- TRANSPARENT QUALITY MAINTAINED  
 ADAPTED FROM WORLD WAR AEROPLANES, NO 84, 19181



**REFERENCES:**  
 1- AEROMODELER-MAP- SCALE DRAWINGS  
 2- CLEVELAND KIT PLANS  
 3- WW I A/C BOOK- PLANS PAGES ONLY- PLANS & DATA "FIGHTER AIRCRAFT 1914-18 WAR, HARLEY FORD."

**FLYING SCALE INC**  
 1905 COLONY RD.  
 METAIRIE, LA. 70003  
**FOKKER D-VIII**  
 SCALE 3/4" = 1'-0"

**PLAN F-4**  
 SH 1 OF 1