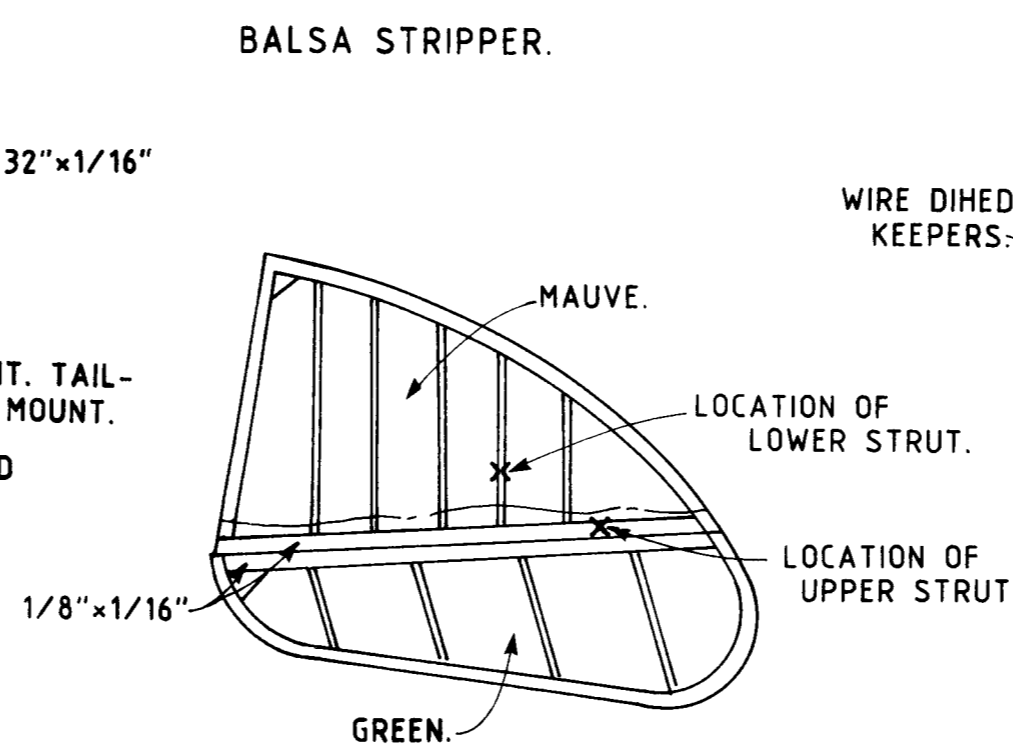
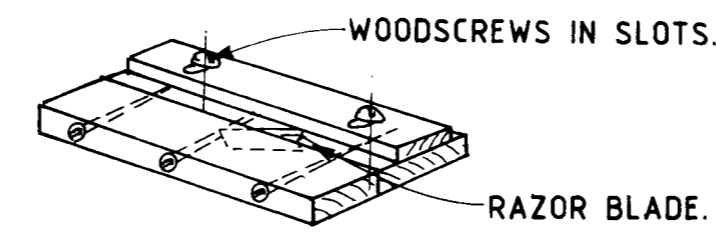
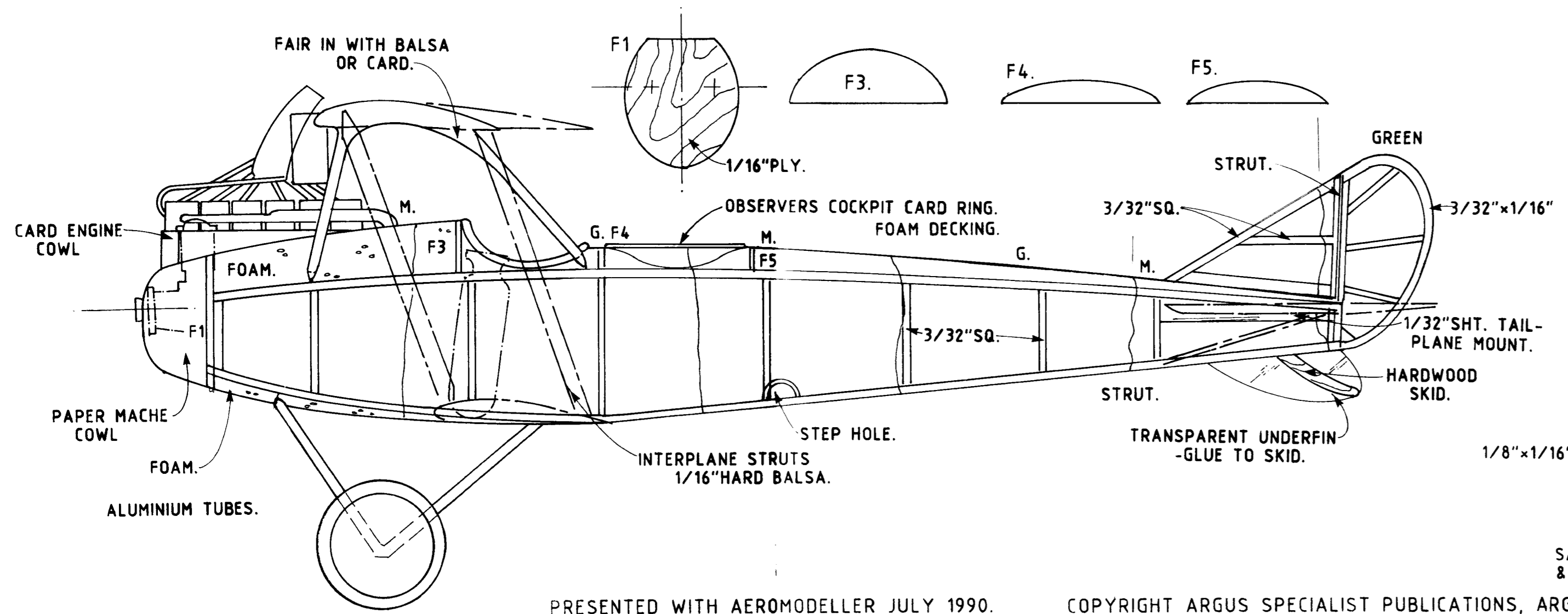
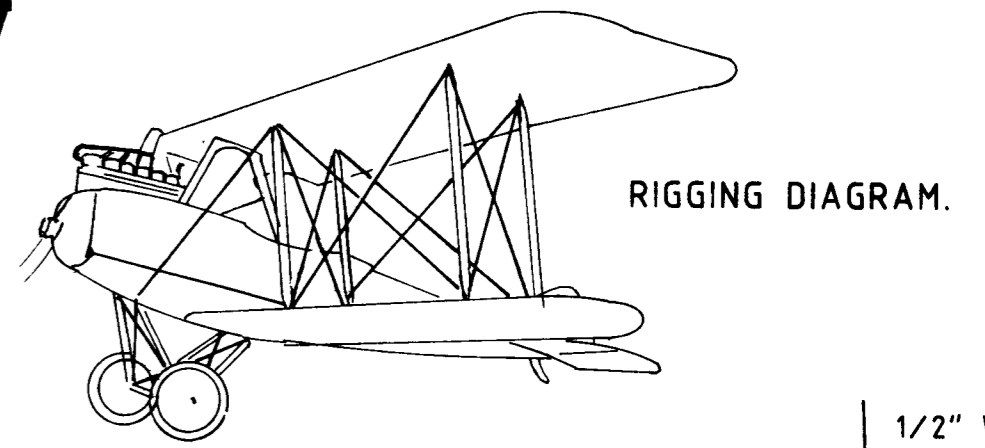


# Rumpler CV

JIM LATHAM'S 17" WINGSPAN WW.1. GERMAN TWO-SEATER FOR CO<sub>2</sub> POWER.



SAND TAILPLANE TO AIRFOIL SECTION & FIT WITH FLAT SIDE UPPERMOST

