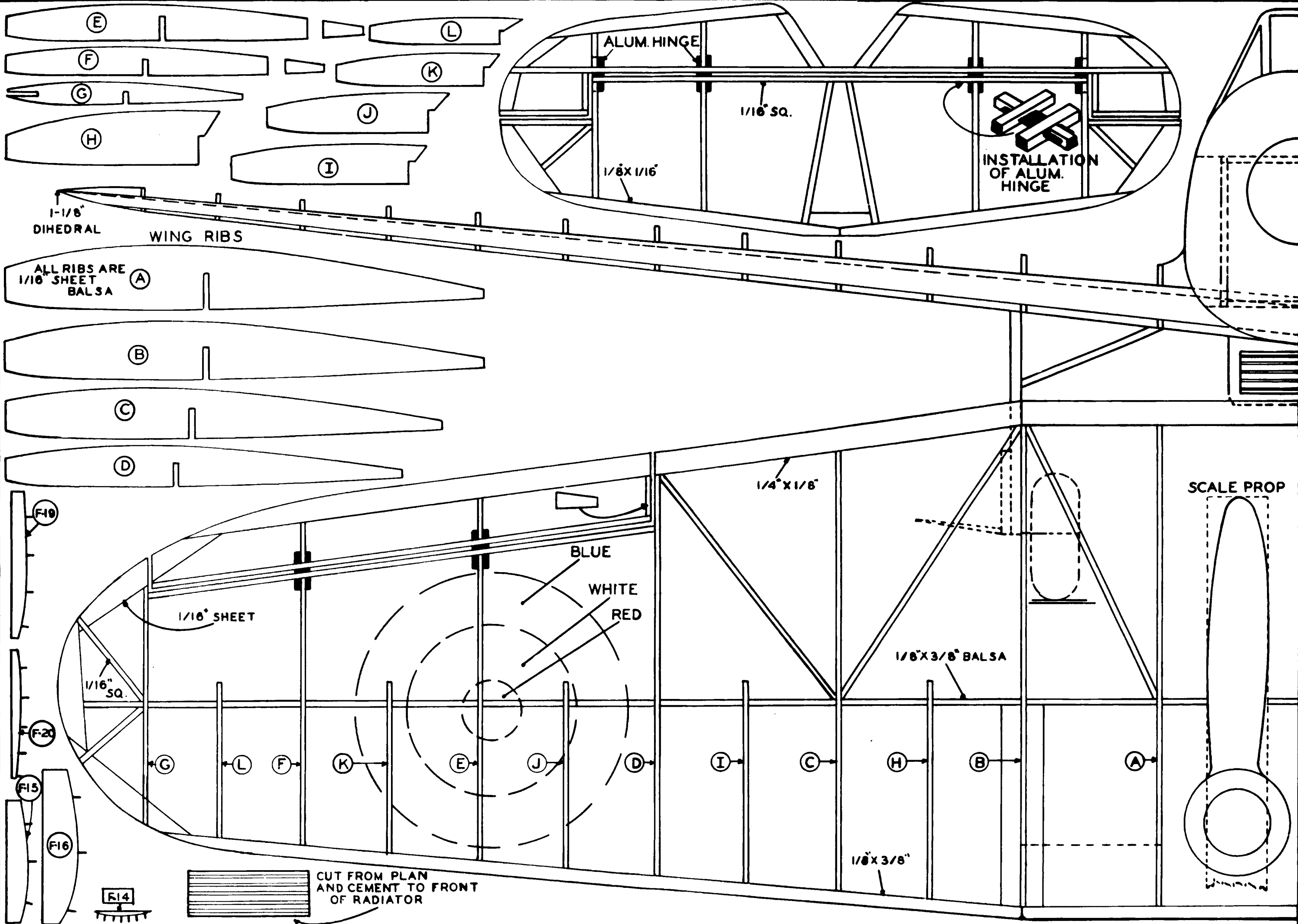


FULL SIZE PLAN
 SCALE 3/4"=1'-0"
 HAWKER MERLIN





ALUM. HINGE

1/16" SQ.

1/8" X 1/16"

INSTALLATION OF ALUM. HINGE

1-1/8" DIHEDRAL WING RIBS

ALL RIBS ARE 1/16" SHEET Balsa (A)

1/4" X 1/8"

SCALE PROP

BLUE

WHITE

RED

1/16" SHEET

1/8" X 3/8" Balsa

1/8" X 3/8"

CUT FROM PLAN AND CEMENT TO FRONT OF RADIATOR

F14

F10

F20

F15

F16

(E)

(F)

(G)

(H)

(I)

(J)

(K)

(L)

(A)

(B)

(C)

(D)

(G)

(L)

(F)

(K)

(E)

(J)

(D)

(I)

(C)

(H)

(B)

(A)