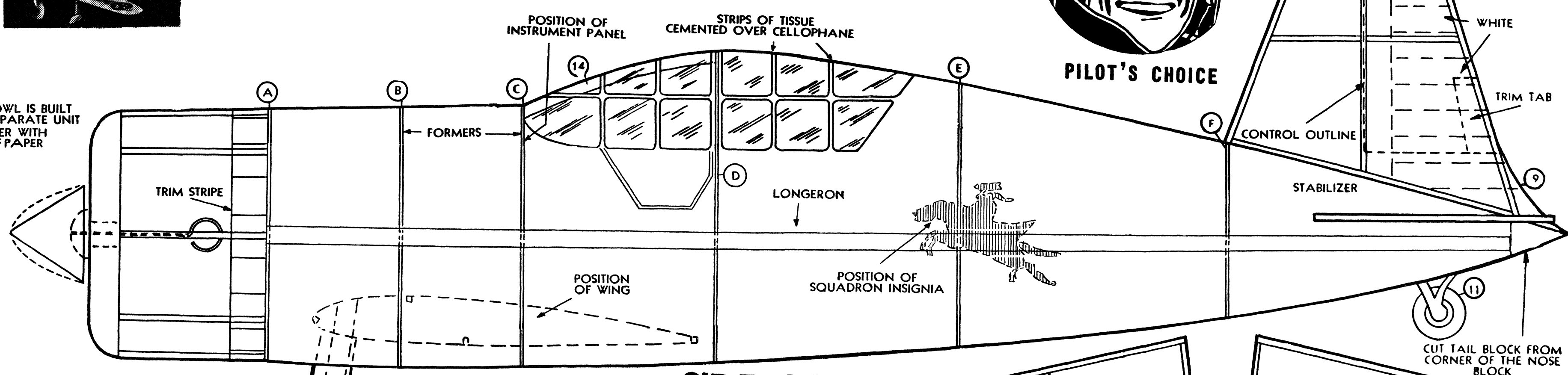


THE COWL IS BUILT AS A SEPARATE UNIT COVER WITH STIFF PAPER



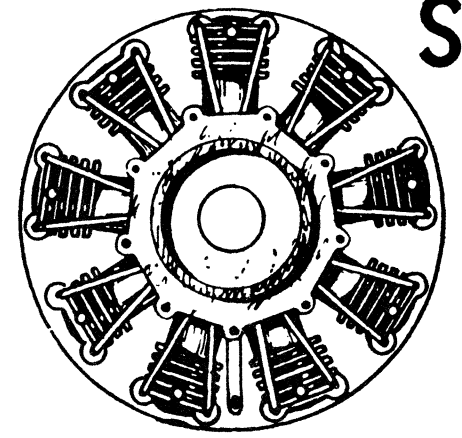
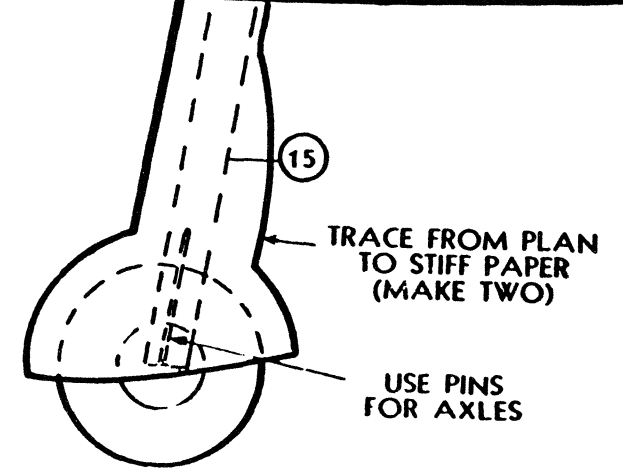
NO. H23 -24" WINGSPAN

# VULTEE

## VANGUARD 48

PAUL K. GUILLOW, WAKEFIELD, MASS.

U. S. PATENT  
NO. 2165075



## SIDE VIEW

MOTOR CUT FROM PLAN AND CEMENT TO FRONT OF NOSE BLOCK

THE STABILIZER IS BUILT IN TWO PIECES AND IS CEMENTED TO THE SIDES OF FUSELAGE

