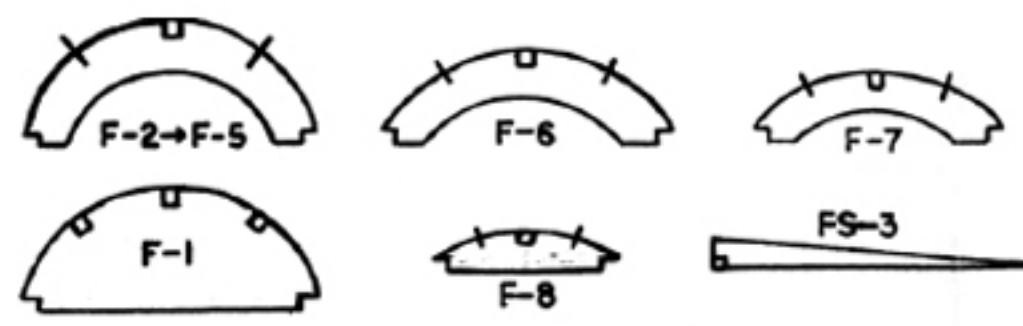


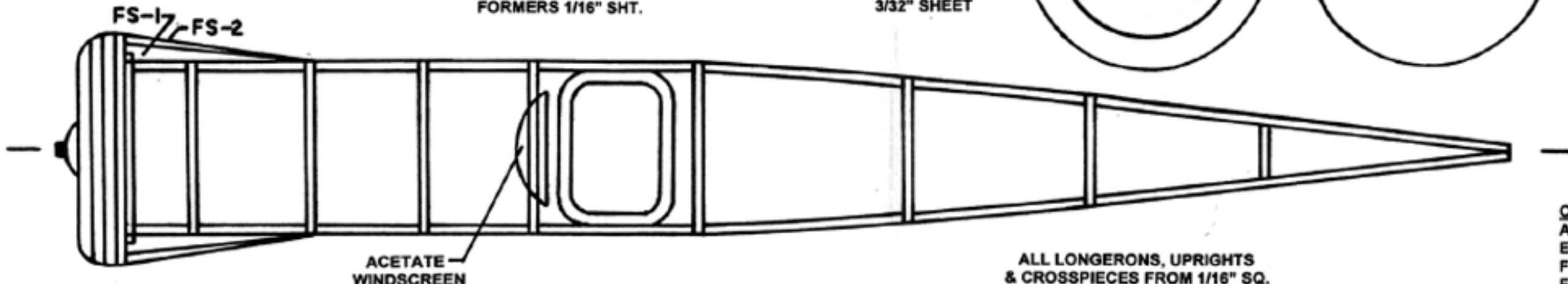
A BAY STATE SQUADRON PLAN
SHEET #1 OF 3

ALL WOOD Balsa UNLESS SPECIFIED OTHERWISE



N-3 & ALL FUSELAGE FORMERS 1/16" SHT.

N-1 & N-2 FROM 3/32" SHEET

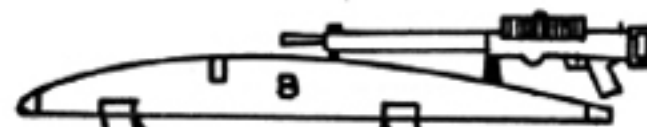


ACETATE WINDSCREEN

ALL LONGERONS, UPRIGHTS & CROSSPIECES FROM 1/16" SQ.

COLOR SCHEME
ALUMINUM OR LT. GRAY
ENGINE COWL, FUSELAGE
FRONT & LG. STRUTS. ALL
FABRIC COVERED SURFACES
& WHEEL DISCS ARE LT. CREAM
YELLOW. WING STRUTS DK.
BROWN. NUMBERS BLACK.

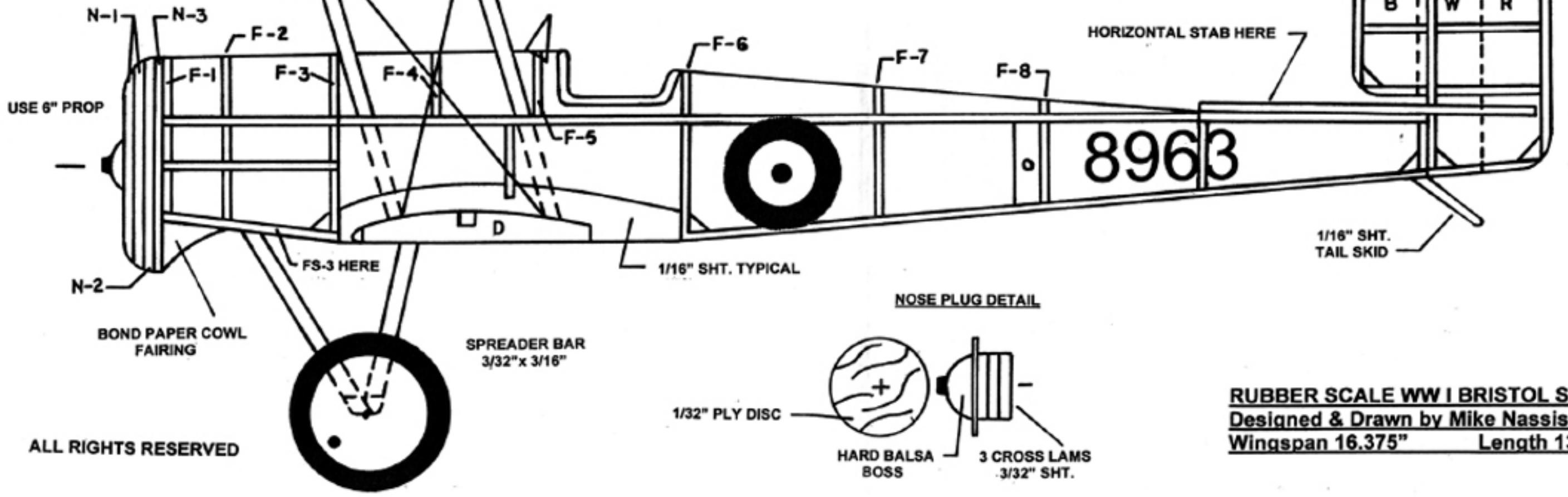
COVER TOP OF FUSELAGE TO FORMER F-8 WITH BOND PAPER. SAME WITH FUSE SIDES TO 3RD UPRIGHT FROM FRONT.



INTERPLANE, CABANE & LG. STRUTS FROM HARD 1/16"x1/8" STRIPS

VERTICAL STAB FROM 1/16" SQ. & 1/16" SHT.

FACN #278



USE 6" PROP

HORIZONTAL STAB HERE

8963

1/16" SHT. TAIL SKID

BOND PAPER COWL FAIRING

FS-3 HERE

1/16" SHT. TYPICAL

SPREADER BAR 3/32"x 3/16"

NOSE PLUG DETAIL

1/32" PLY DISC

HARD Balsa BOSS

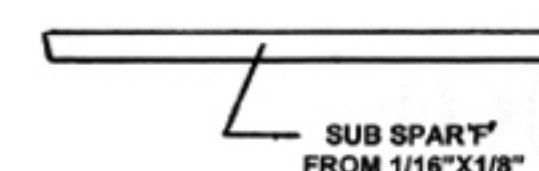
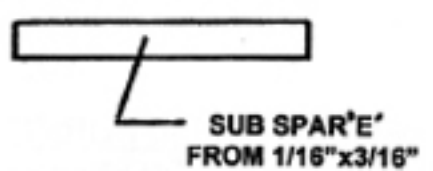
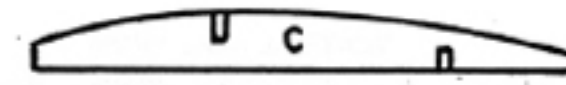
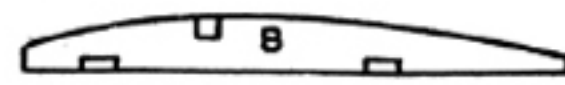
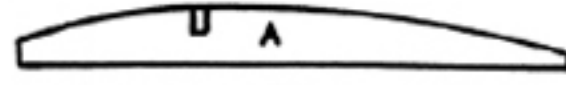
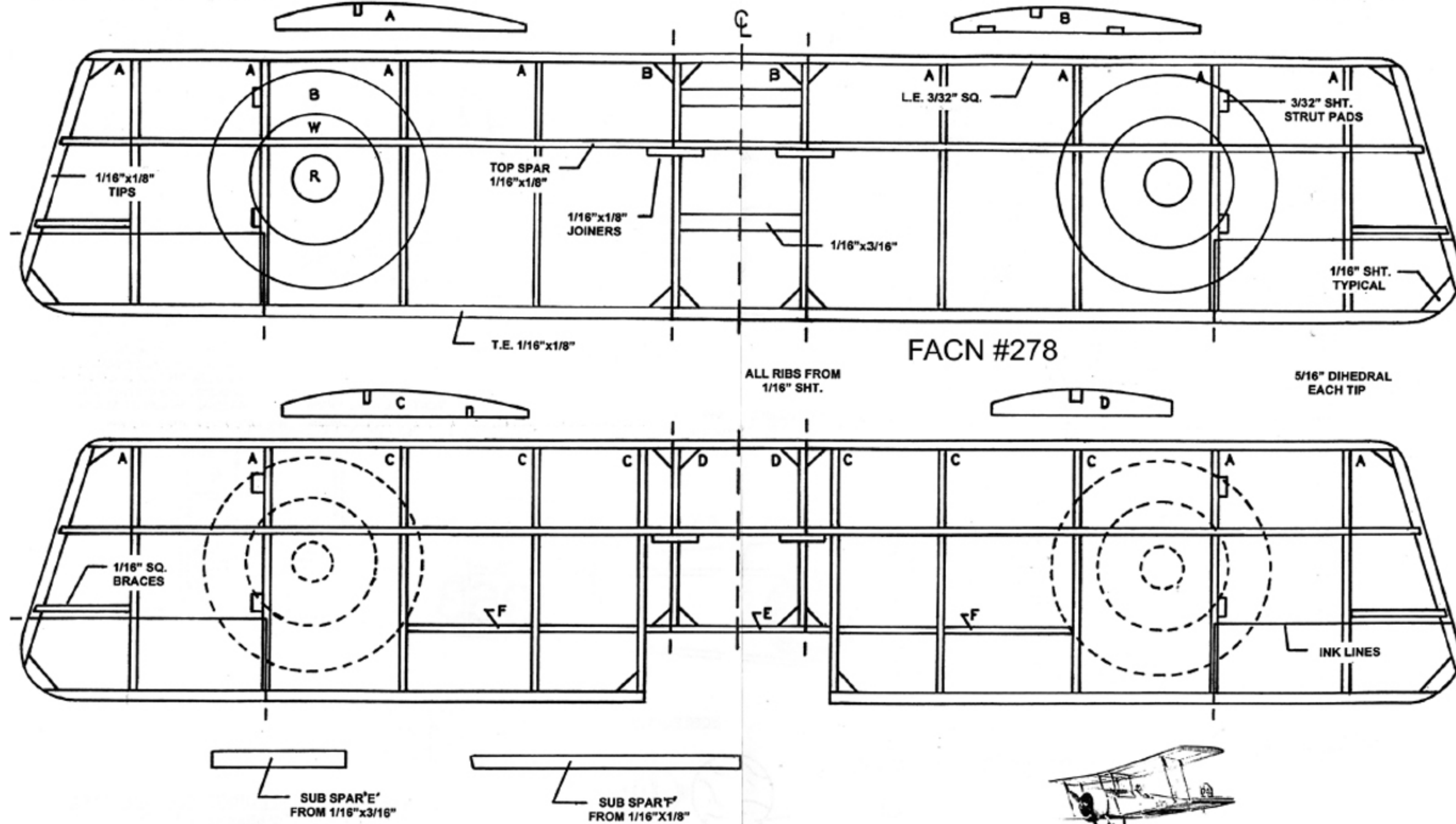
3 CROSS LAMS 3/32" SHT.

RUBBER SCALE WW I BRISTOL SCOUT TYPE D
Designed & Drawn by Mike Nassise, 12/13
Wingspan 16.375" Length 13.5"

ALL RIGHTS RESERVED

A BAY STATE SQUADRON PLAN

SHEET #2 OF 3



ALL RIBS FROM 1/16" SHT.

5/16" DIHEDRAL EACH TIP

FACN #278

1/16"x1/8" TIPS

TOP SPAR 1/16"x1/8"

1/16"x1/8" JOINERS

1/16"x3/16"

1/16" SHT. TYPICAL

FACN #278

1/16" SQ. BRACES

SUB SPAR E FROM 1/16"x3/16"

SUB SPAR F FROM 1/16"x1/8"



BRISTOL SCOUT TYPE D

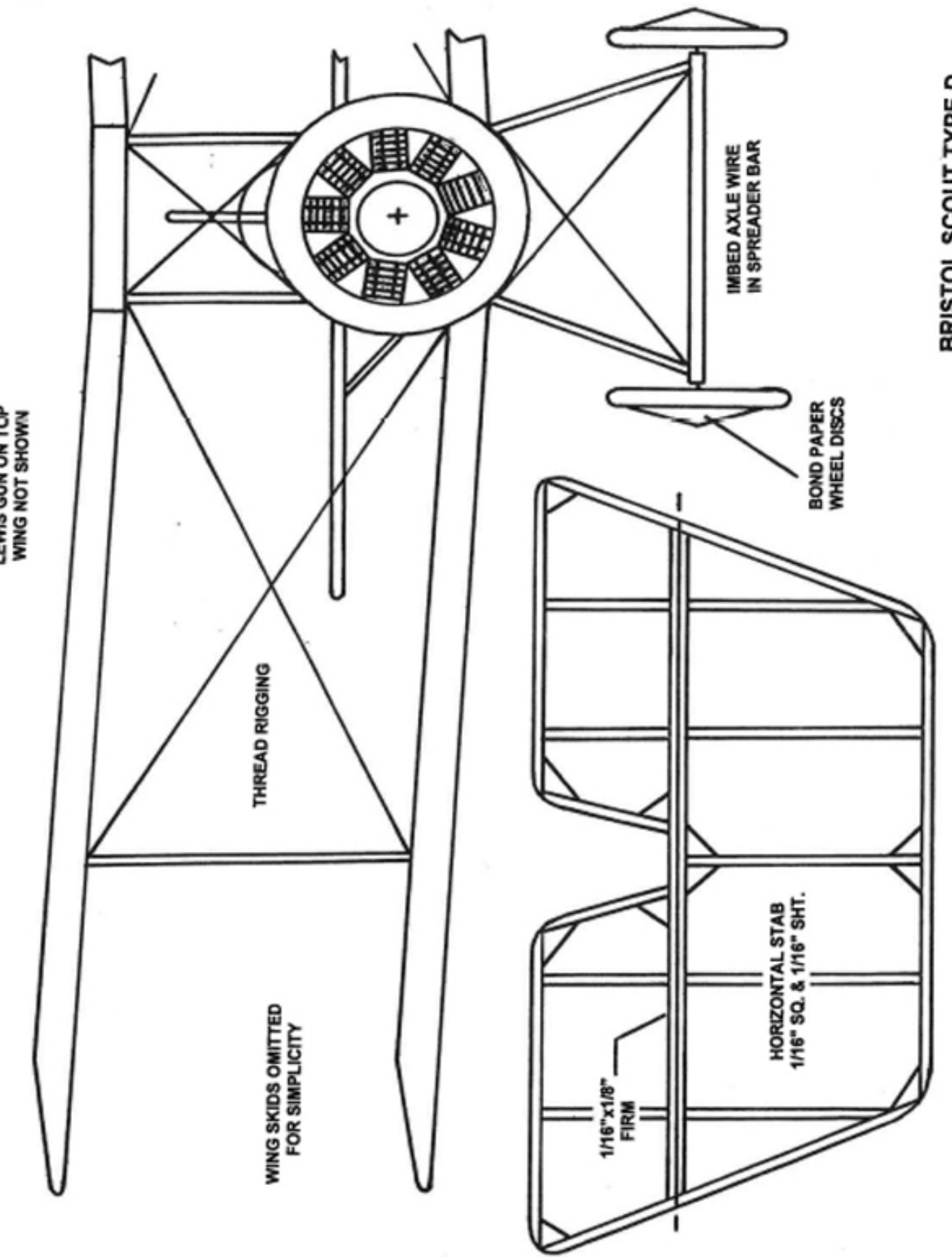
BUILD, FLY, WIN... FAC!!!

The missing bit!

SHEET #3 OF 3

LEWIS GUN ON TOP WING NOT SHOWN

A BAY STATE SQUADRON PLAN



IMBED AXLE WIRE IN SPREADER BAR

BOND PAPER WHEEL DISCS

THREAD RIGGING

WING SKIDS OMITTED FOR SIMPLICITY

1/16"x1/8" FIRM

HORIZONTAL STAB 1/16" SQ. & 1/16" SHT.

BRISTOL SCOUT TYPE D