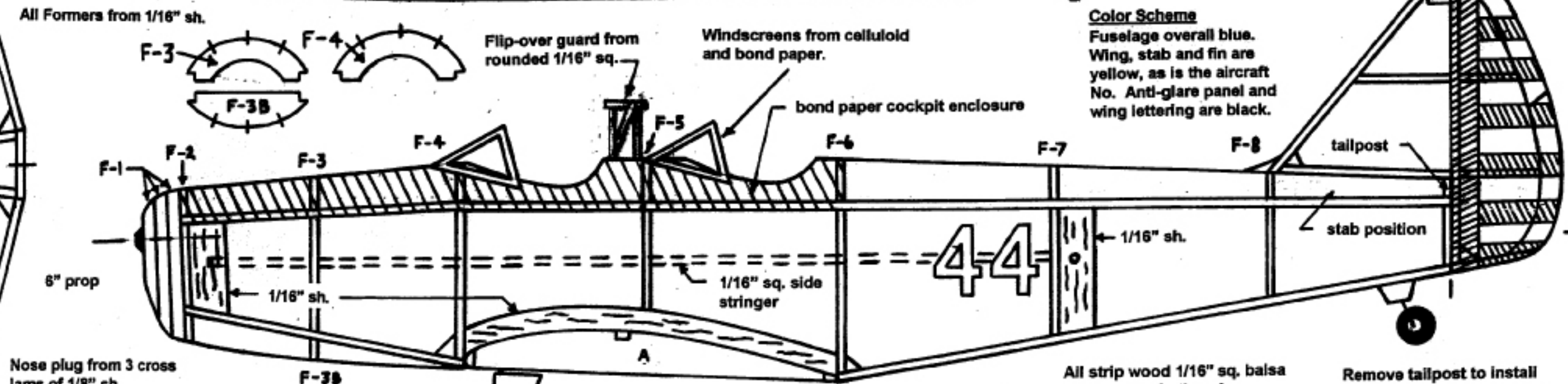
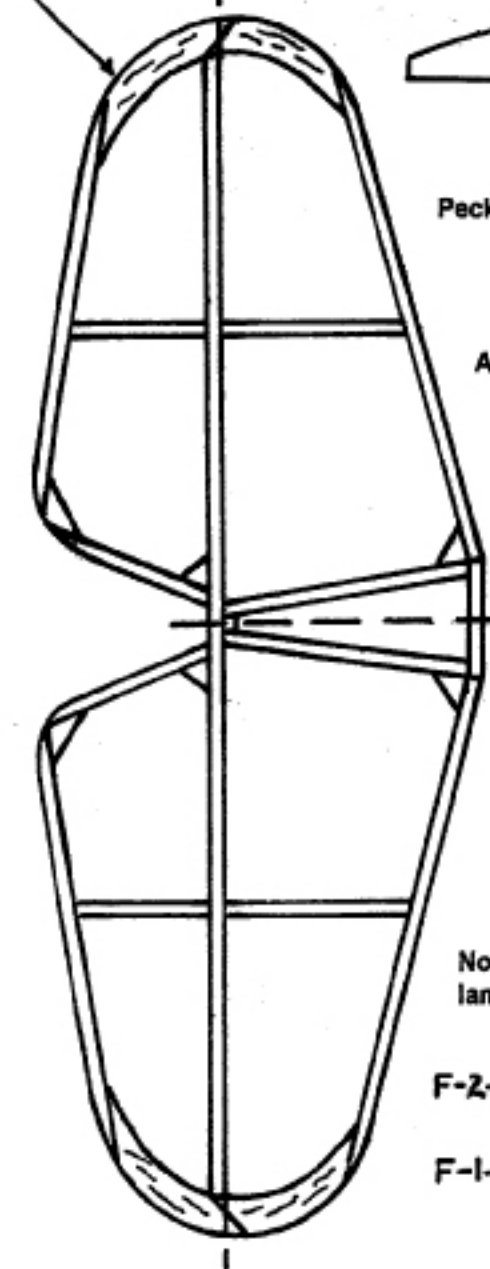
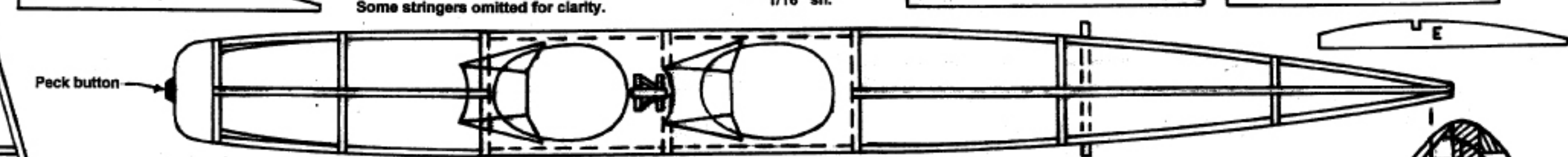
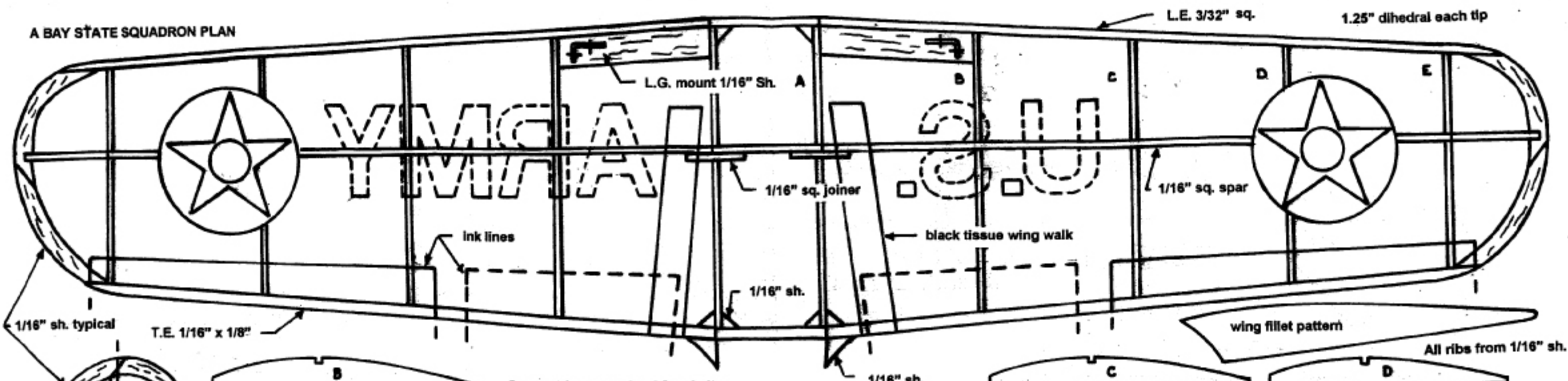
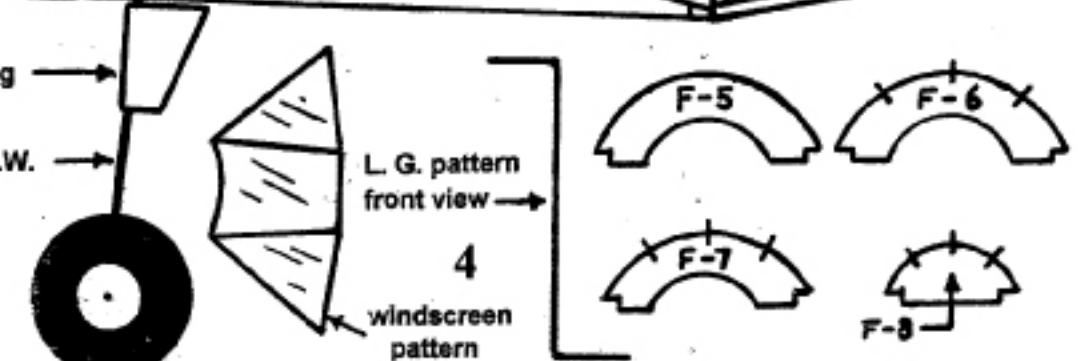
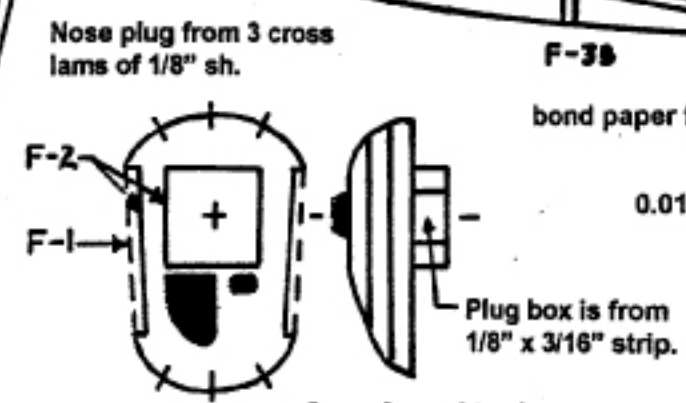


A BAY STATE SQUADRON PLAN



**Color Scheme**  
 Fuselage overall blue.  
 Wing, stab and fin are yellow, as is the aircraft No. Anti-glare panel and wing lettering are black.



All strip wood 1/16" sq. balsa unless noted otherwise.

Remove tailpost to install stab then reglue in place.

**BAY STATE MODEL CO.**  
**FAIRCHILD PT-19 CORNELL 10-CENTER**  
 Wingspan 16" Length 12 5/8"  
 Designed & Drawn by Mike Nassise 9/05