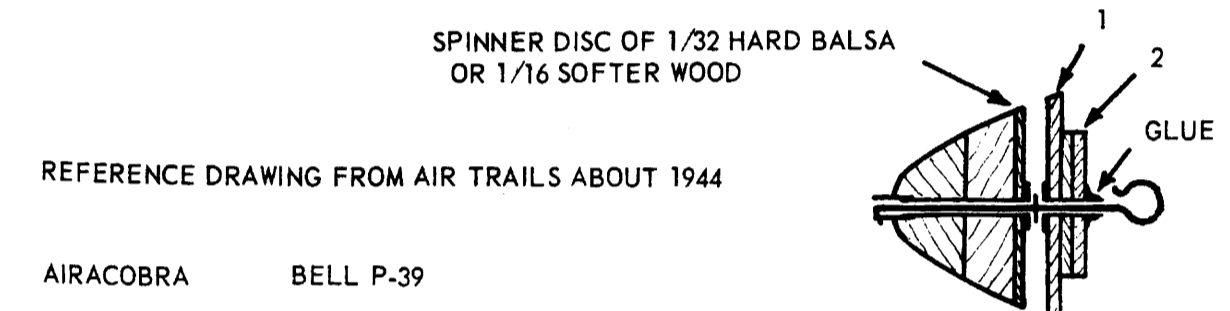
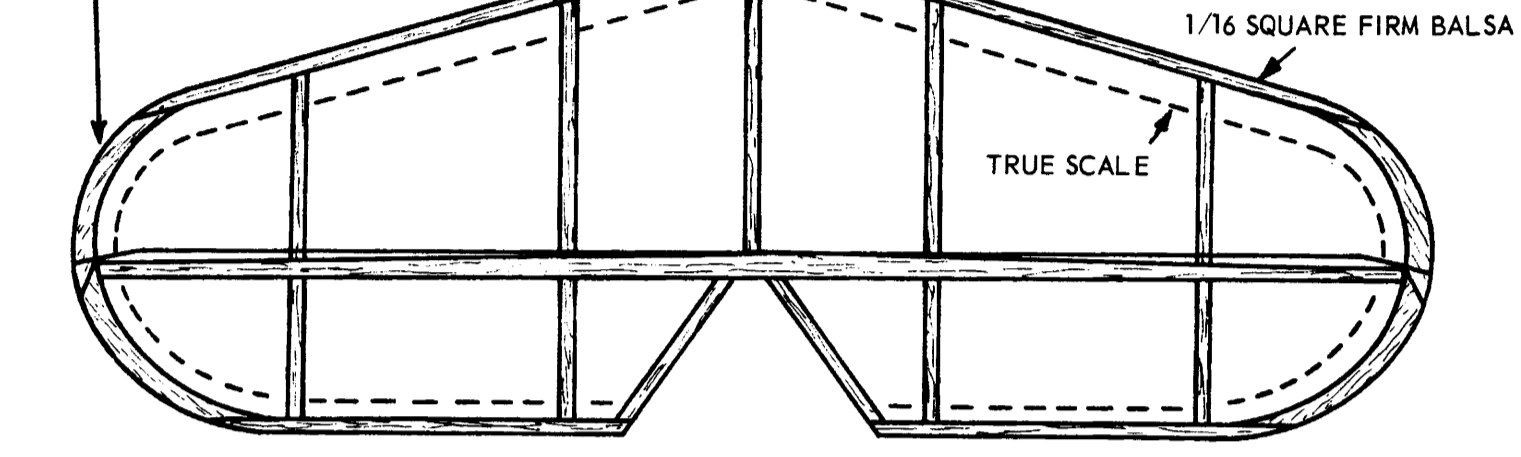
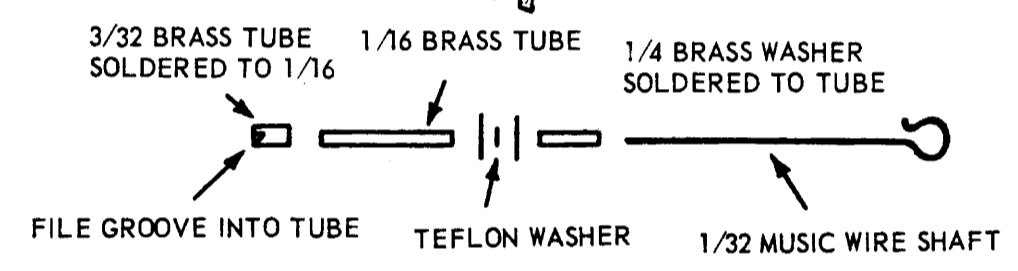


PROP UP 1/32 TO 1/16 WHEN BUILDING FOR STABILIZING WASHIN



REFERENCE DRAWING FROM AIR TRAILS ABOUT 1944

AIRACOBRA BELL P-39  
SCALE 1/2" = 1"  
C. Mather

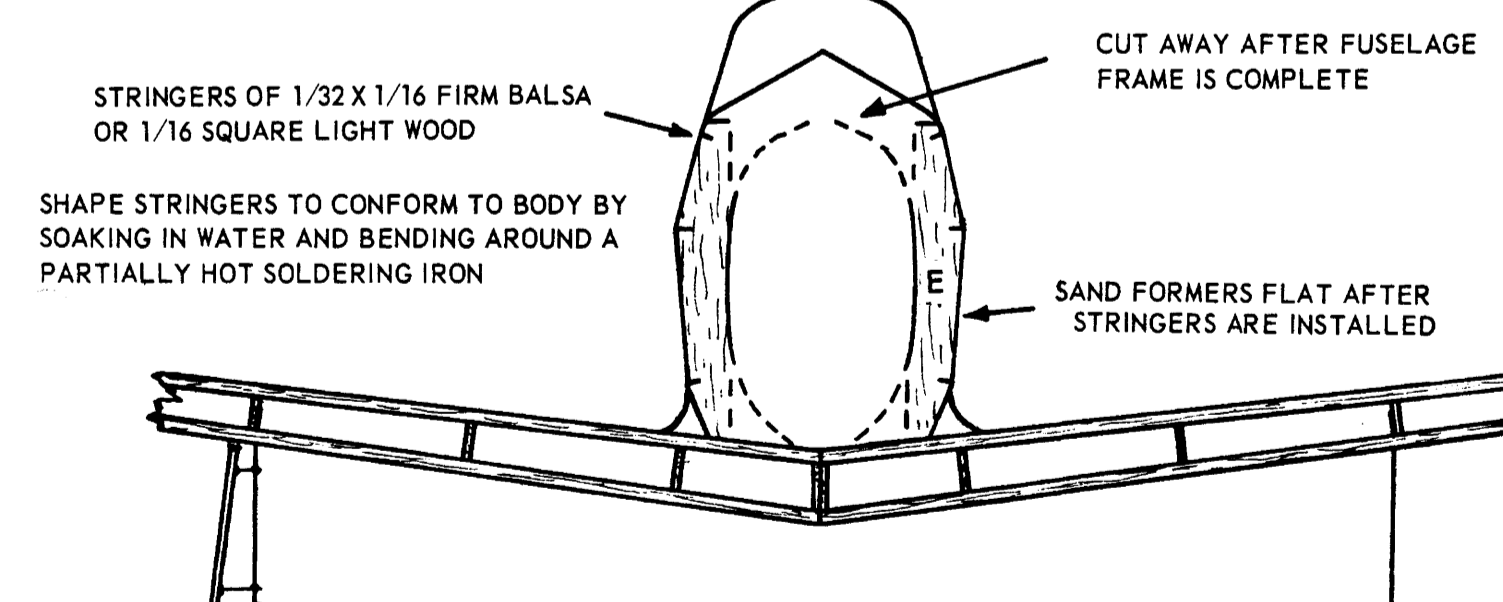
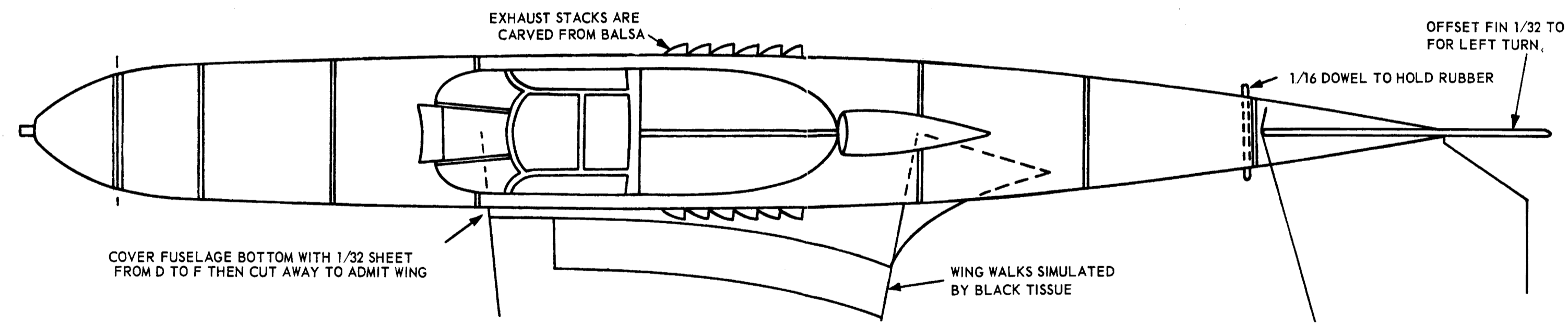
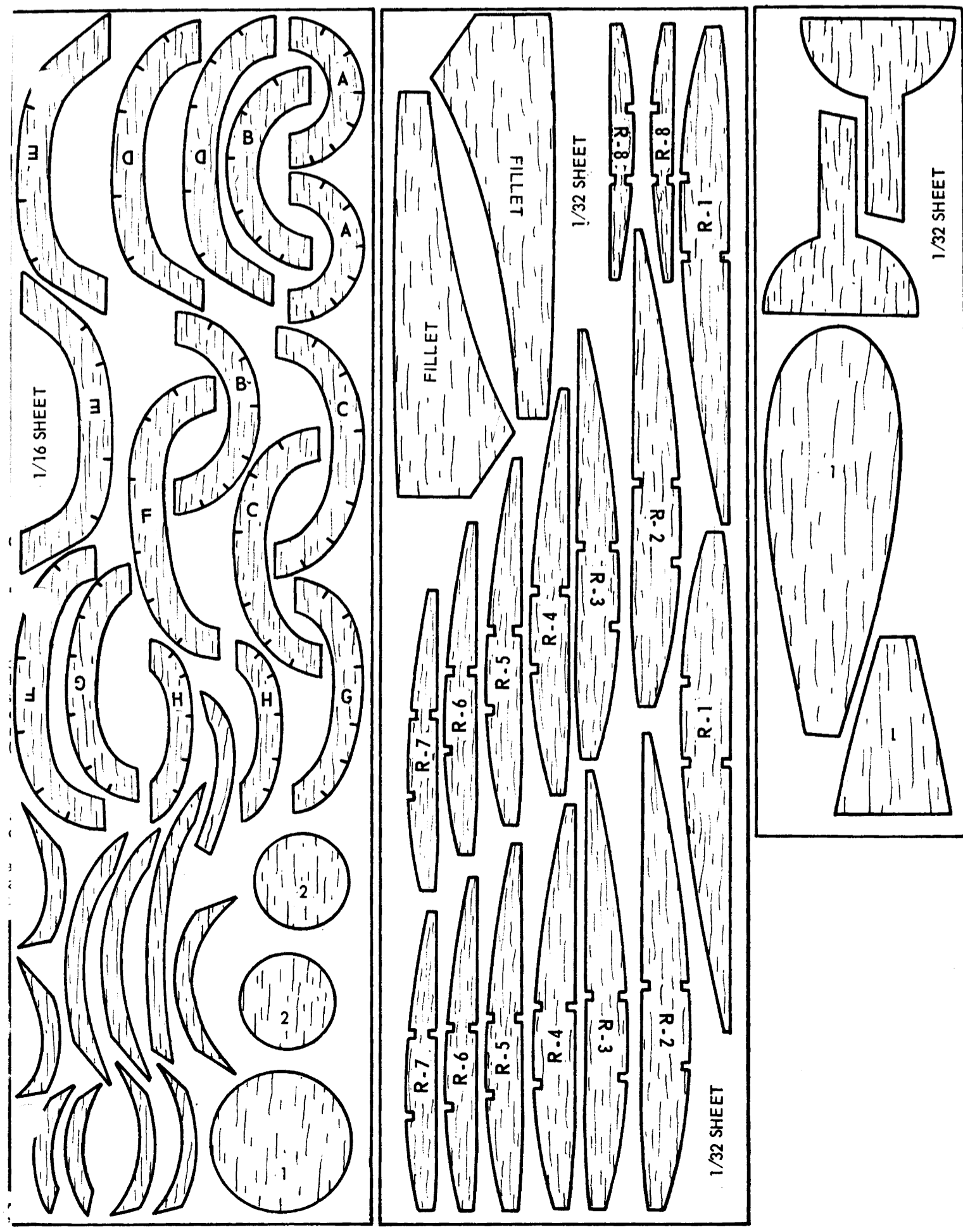
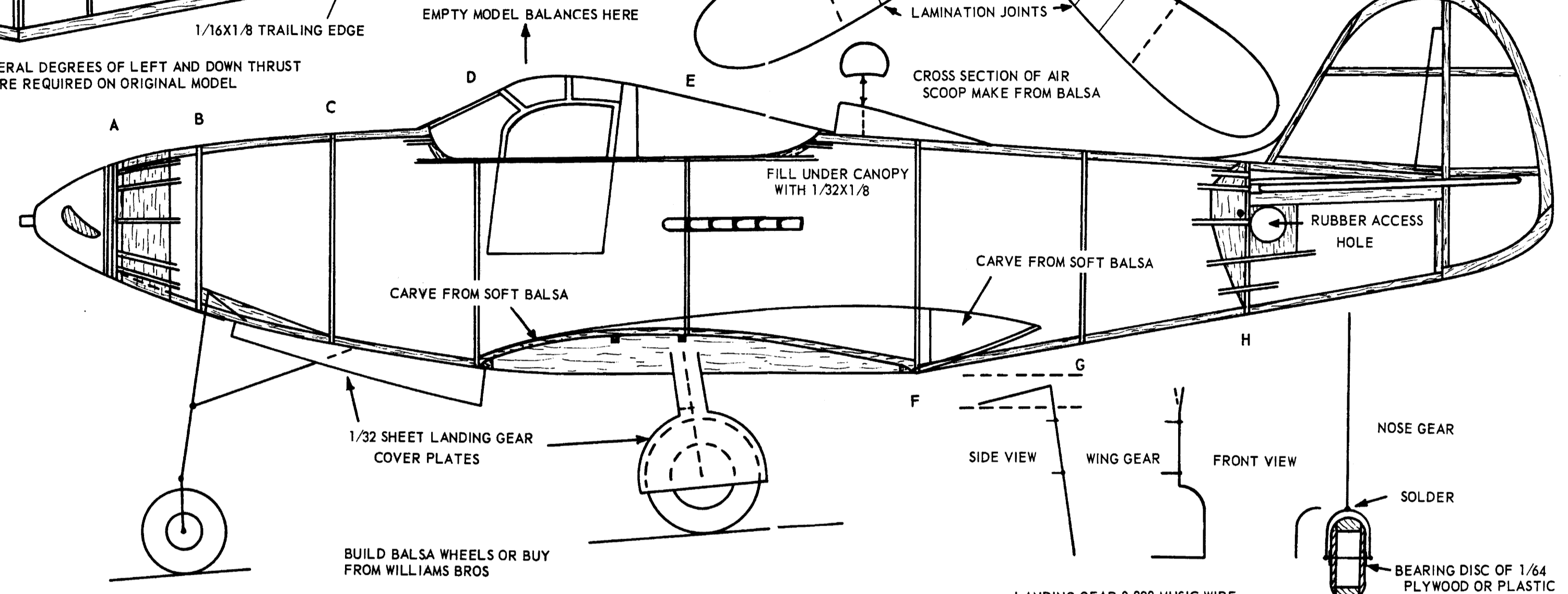


A SEVEN INCH SQUARE BLADE PLASTIC PROP WILL FLY THE MODEL WELL. A BUILT UP THREE-BLADER IS MORE REALISTIC. LAMINATE THE FOUR PARTS OF EACH BLADE WITH THIN WHITE GLUE. LASH TO AN EIGHT INCH DIAMETER CAN WITH THE TIPS SKEWED TWENTY DEGREES TO THE LEFT FOR TWIST. BAKE AT 200 DEGREES FOR AN HOUR. SHAPE BLADES TO A SMOOTH AIRFOIL. CARVE GROOVES IN THE SPINNER DISC TO ADMIT THE BLADES AT THE ANGLE SHOWN. GLUE BLADES SECURELY IN PLACE AND ADD SOFT BALS A TO COMPLETE SPINNER.

TYPICAL BLADE AIRFOIL

BLADES 45 DEGREES HERE FOR 12" PITCH

SEVERAL DEGREES OF LEFT AND DOWN THRUST WERE REQUIRED ON ORIGINAL MODEL



MODEL FLIES ON 1/8 TO 1/4 PIRELLI DEPENDING UPON THE PROPELLOR AND MODEL WEIGHT  
CAMOUFLAGE COLORS WERE OLIVE GREEN ON TOP AND GRAY BLUE UNDERNEATH

