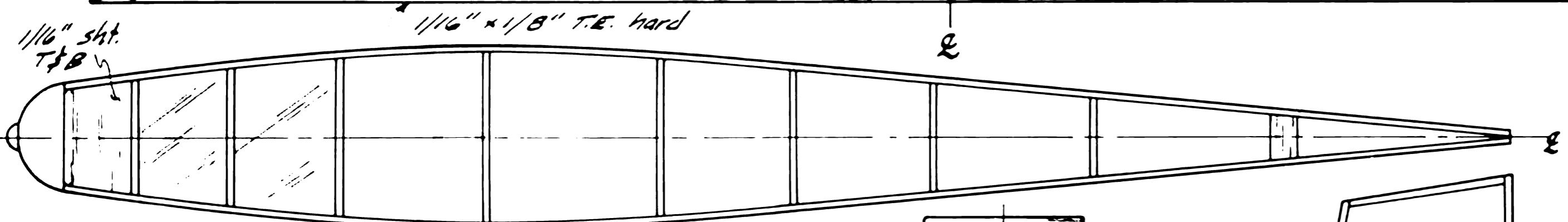
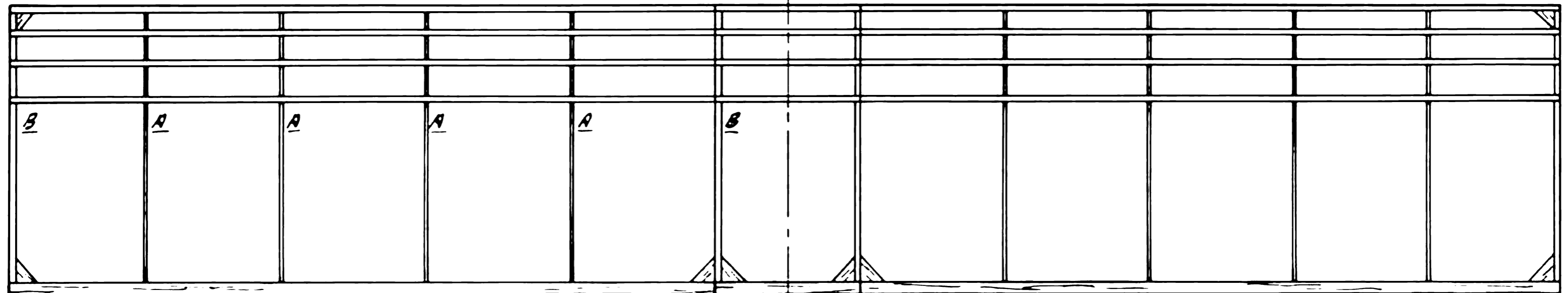
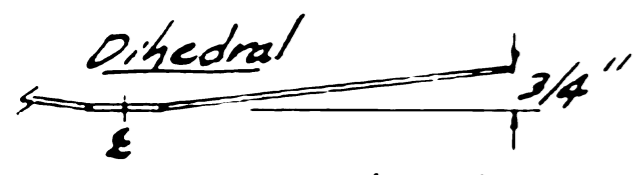


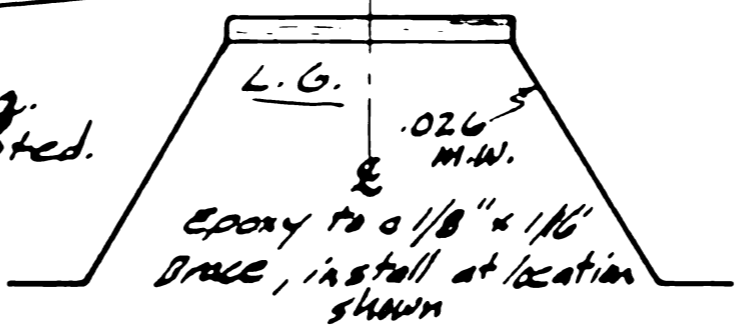
* 1/16" sq. L.E. & spars



* Note: 1/8" washout each tip



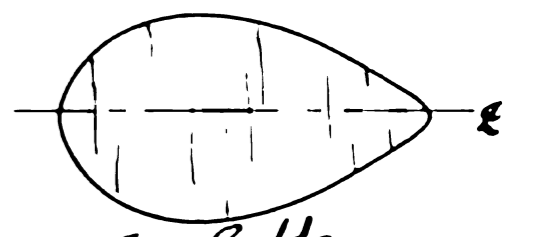
* Fuselage = 1/16" sq. except where noted.



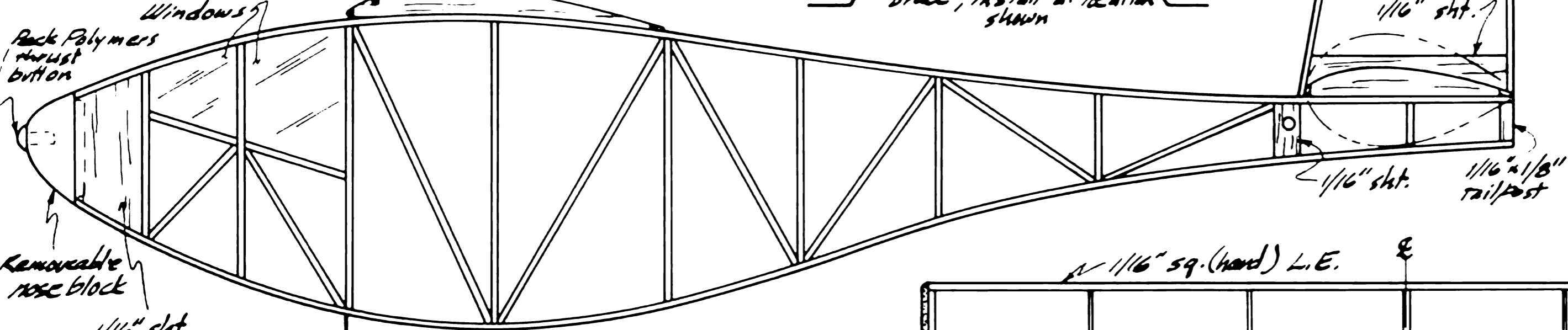
4" B Ribs 1/16" sht.
8" A Ribs 1/32" sht.



3" SA Ribs 1/16" sht.
4" SB Ribs 1/32" sht.



Tip Rudder
1/32" soft sht.
(2 Req.)



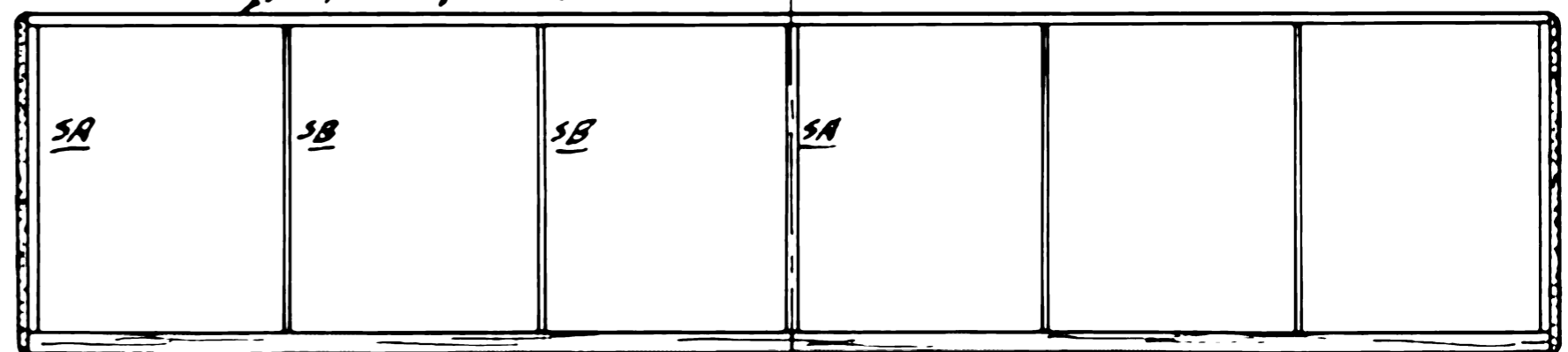
* Use 6" dia Plastic prop.

3/4" plastic wheels

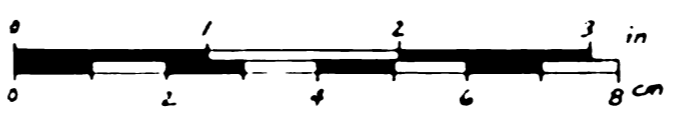
* Power:
1 Loop 1/8" Rubber outdoors.
1 Loop 3/32" Rubber indoors.
1/2 x models length for max. duration.

GREAT EXPECTATIONS III

A "Mooney" Bostonian
Designed & Drawn by: Ernie Wisley
Traced in Ink by: Al Pittman



1/16" x 1/8" T.E.



MODEL BUILDER
magazine
621 West 19th St., Costa Mesa, CA 92627

Plan No: 7813