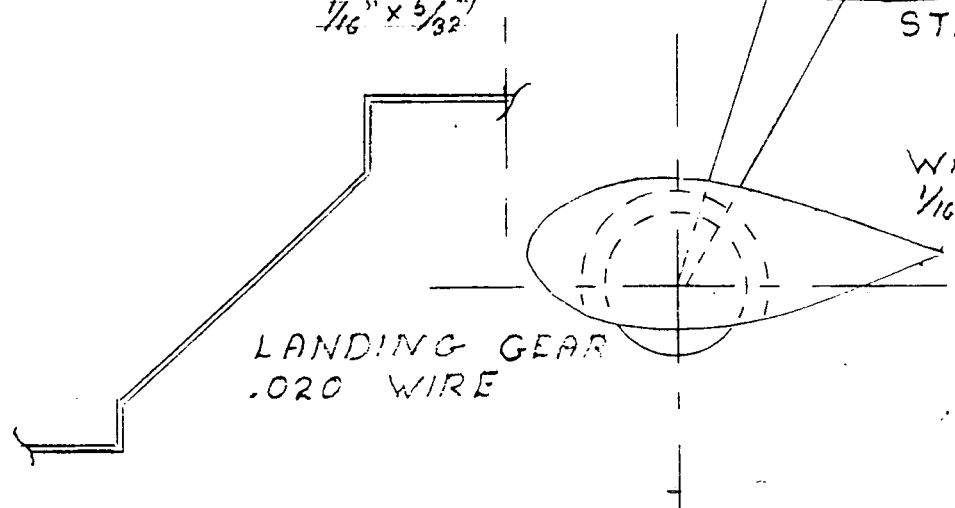
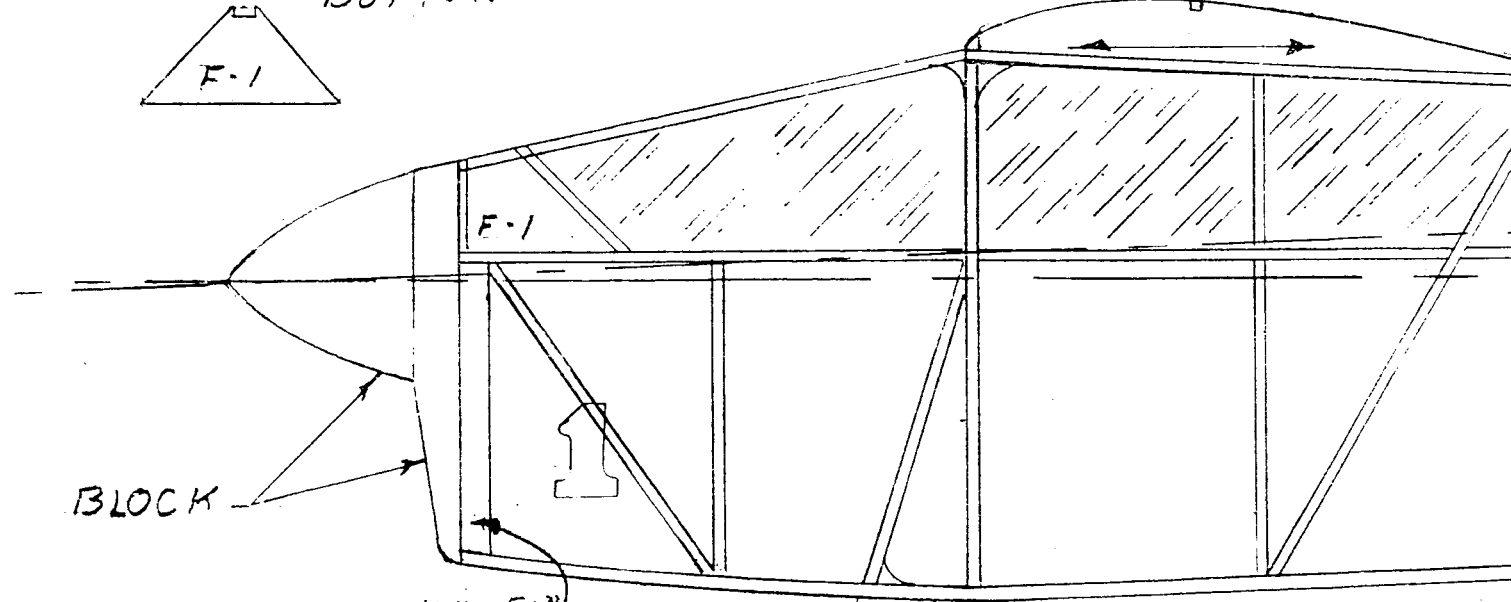
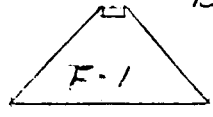
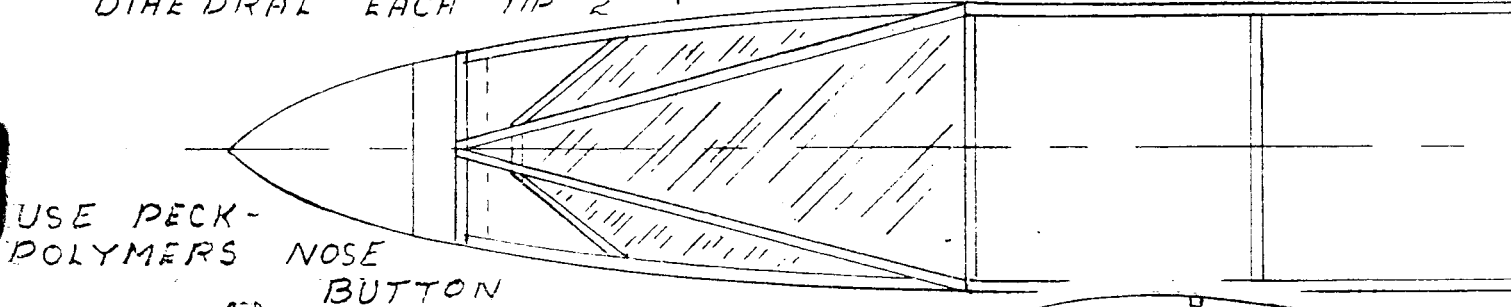


DIHEDRAL EACH TIP 2"



WHEEL PANTS ARE  $\frac{1}{16}$ " SHEET LAMINATE

ART'S  
 BOSTONIA  
 CANUCK

By ART. SO  
 July 1988

$\frac{1}{16}$ " RIB  
4 REQ.

$\frac{1}{32}$ " RIB  
8 REQ.

ALL GUSSETS  
ARE  $\frac{1}{32}$ " SHEET.

NOTE SHIFT WING FOR PROPER  
BALANCE 50% WING CORD

RU  
 $\frac{1}{16}$ "

$\frac{1}{16}$ " x  $\frac{1}{4}$ "

D UPRIGHTS  $\frac{1}{16}$ " SQ

OFFSET RUDDERS  $\frac{1}{16}$ "

ARE 3  
INATED

S  
ONIAN  
UCK #1

T. SONGAL

$\frac{1}{16}$ " x  $\frac{1}{8}$ "

STAB.  
 $\frac{1}{16}$ " SQ.

