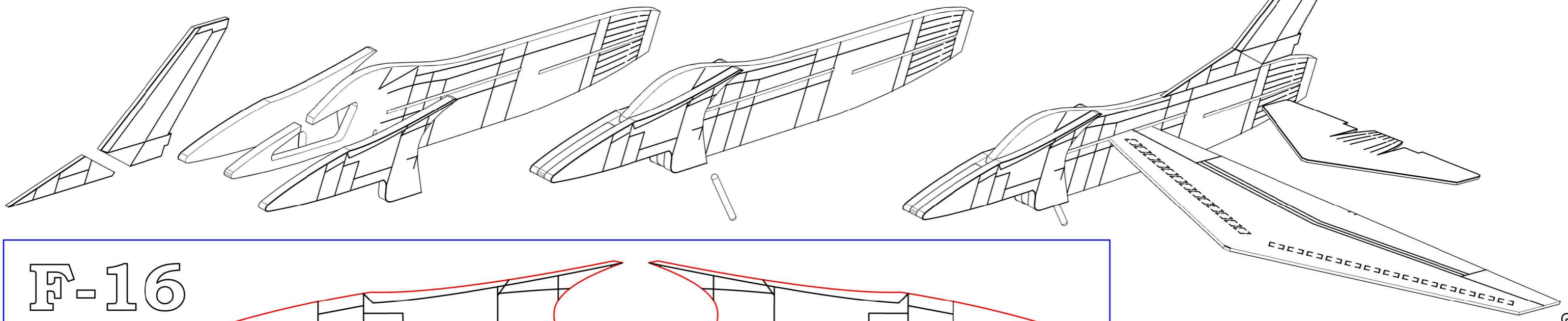


Step 1

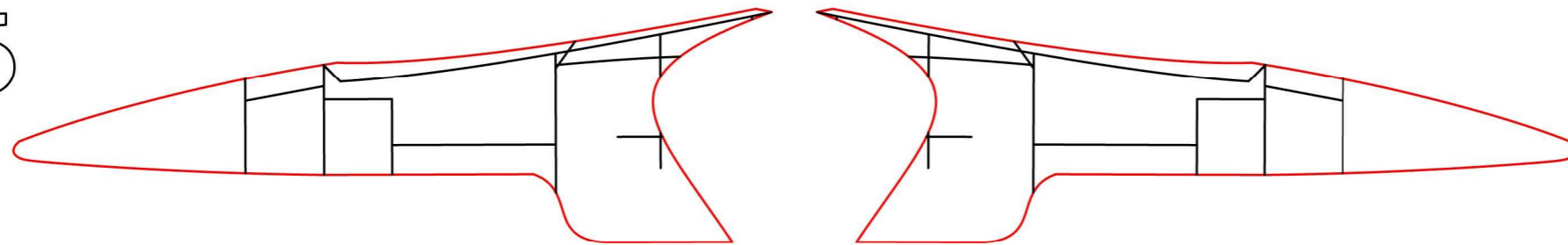
Step 2

Step 3

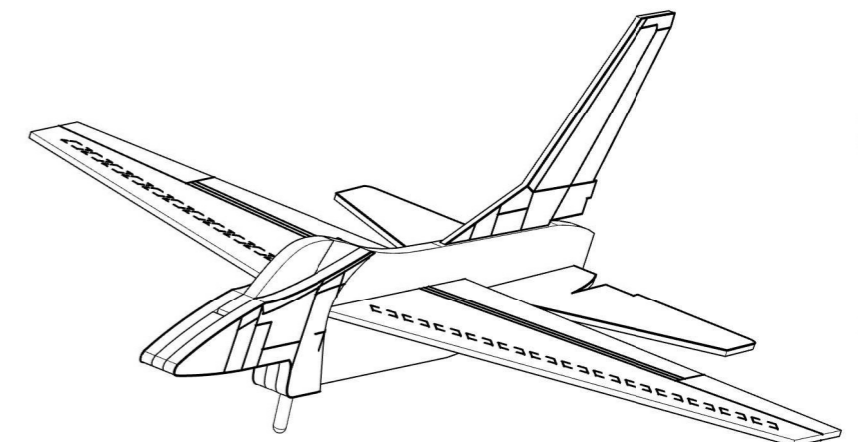
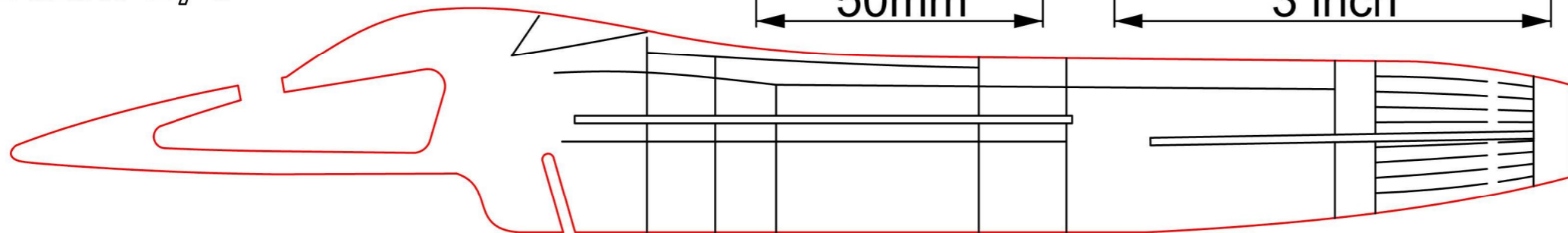
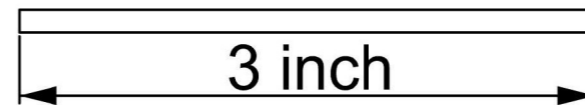
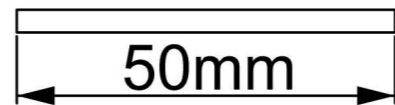
Step 4



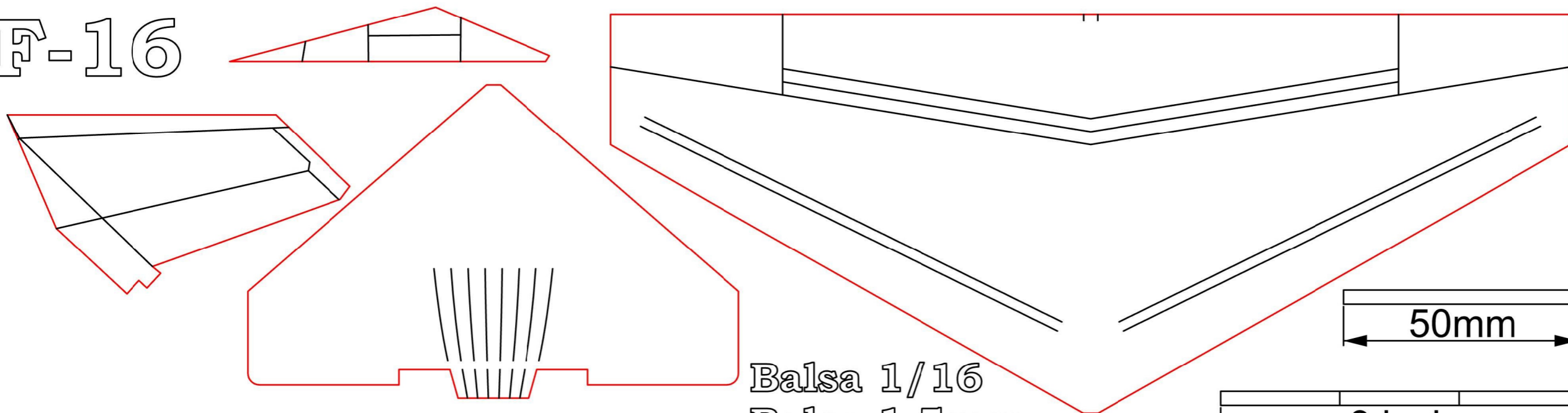
F-16



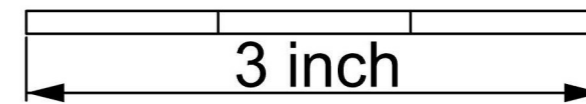
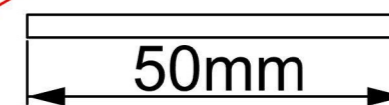
Balsa 3mm
Balsa 1/8



F-16



Balsa 1/16
Balsa 1,5mm



White glue recommended
A3 plan size

Construction: airplanesdesign@gmail.com