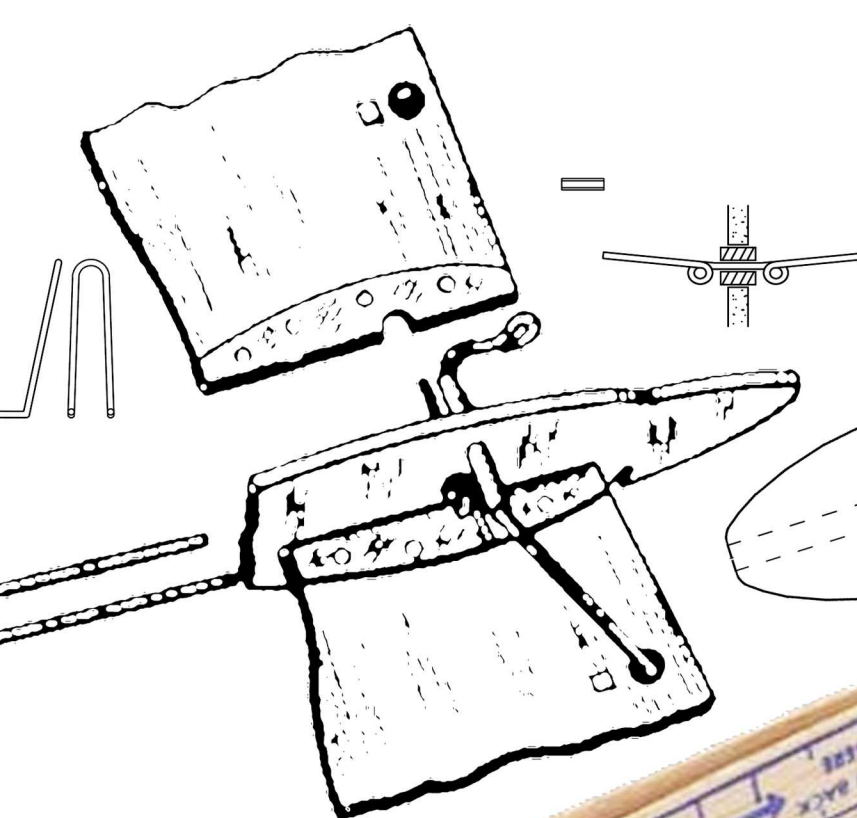


Jim Walker's  
**404**  
*Interceptor*



Note: The outer line is the edge of the balsa. Print design on tissue using your computer printer then apply tissue to balsa with clear dope. Cut out using outer line as cutting guide then sand edge to a half-round, sanding off cutting guide line. Wing, rudder, and elevator are 1/16" balsa, fuselage is 1/4" balsa. Wing should have camber steamed in. Bore hole in front of nose and insert piece of nail for balance. Follow sketches to make folding mechanism from thin aluminum sheet, music wire, and aluminum tubing.

