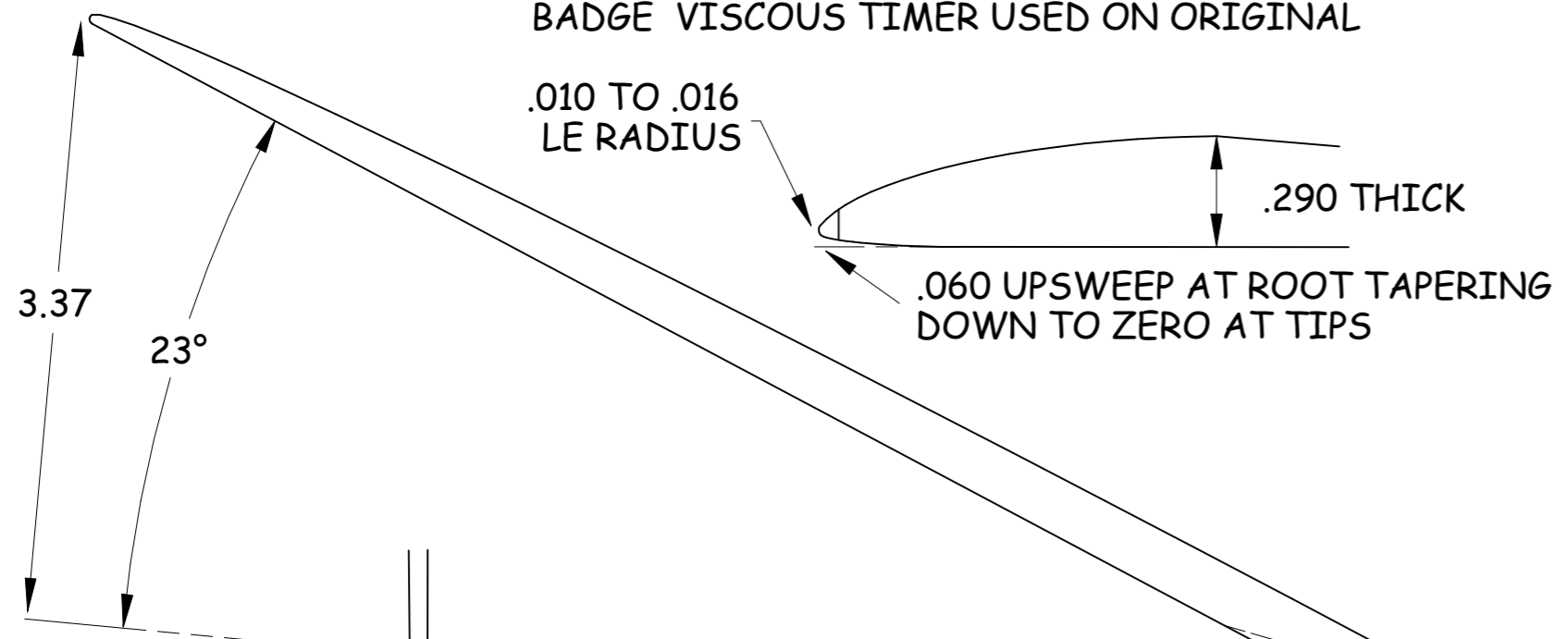
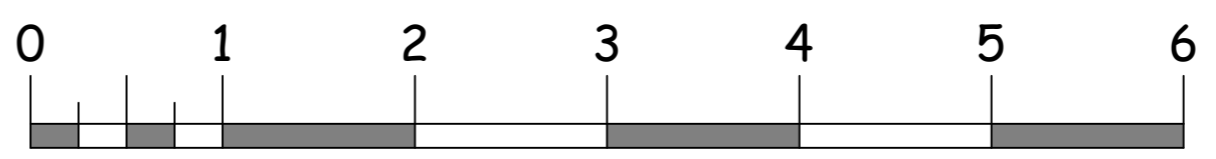


BUDDENBOHM TIMER FUSELAGE WITH 1.5 DEGREES INCIDENCE  
 BADGE VISCOUS TIMER USED ON ORIGINAL

1/32 BASSWOOD LE

# Lee Hines's SWEEPETTE 360

36" SPAN TLG CONCEPT INSPIRED BY RANDY REYNOLDS  
 TARGET WEIGHT 85 to 90 GRAMS FLIES LEFT-RIGHT  
 DRAWN FULL SIZE BY BRUCE KIMBALL

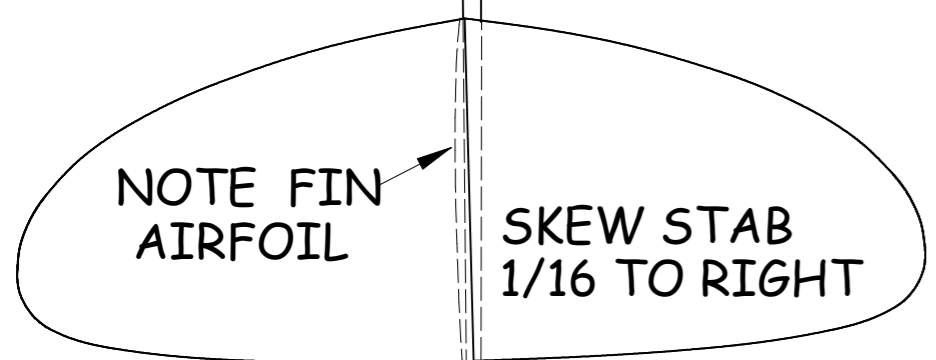


.010 TO .016  
LE RADIUS

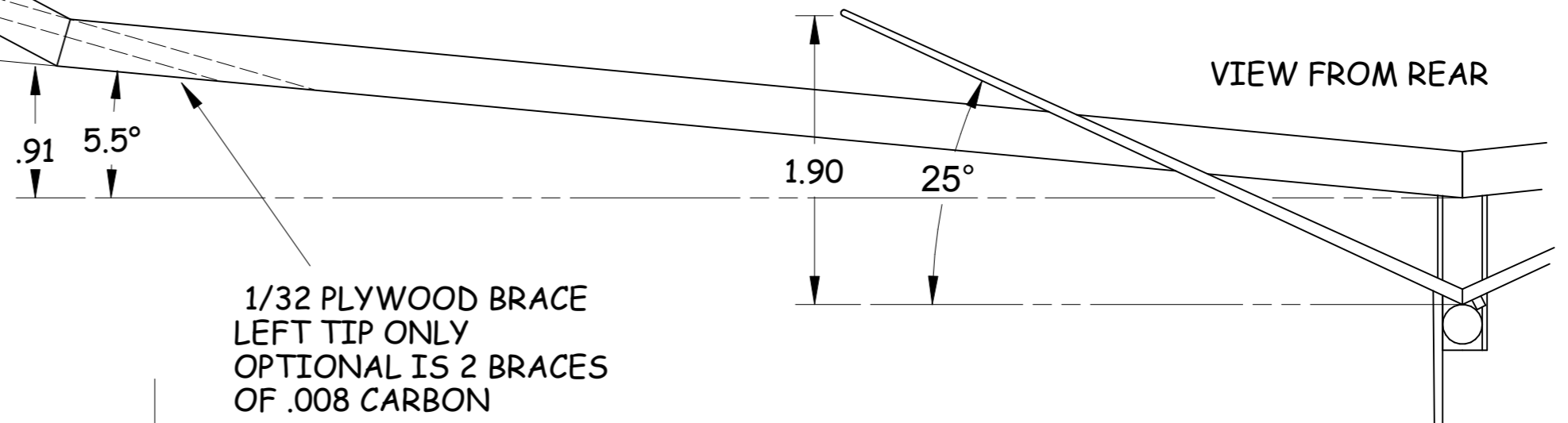
.290 THICK

.060 UPSWEEP AT ROOT TAPERING  
DOWN TO ZERO AT TIPS

3.37  
23°

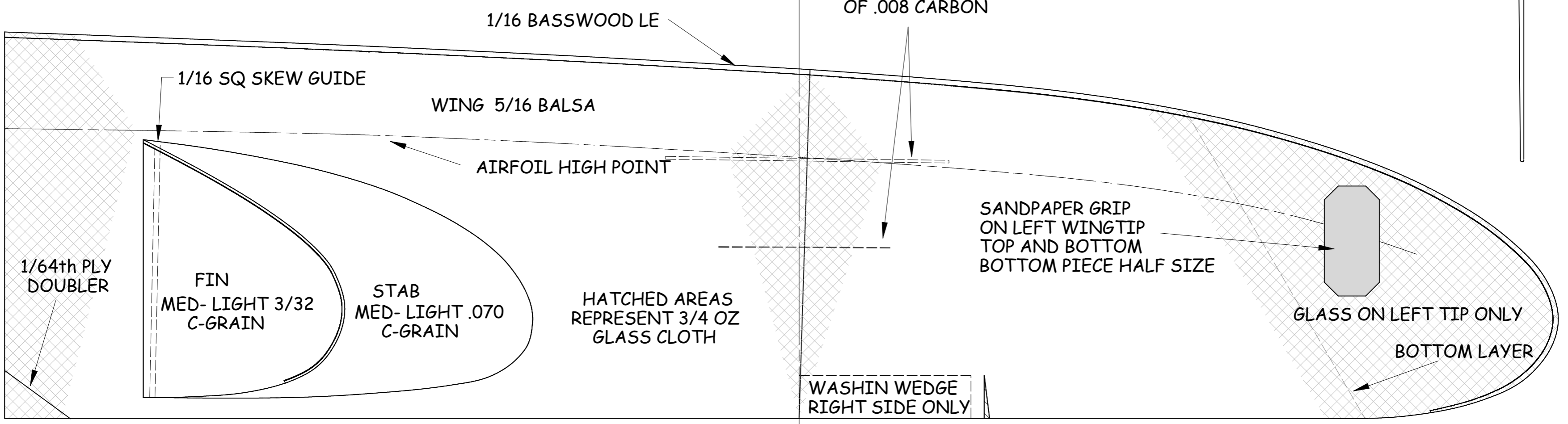


NOTE FIN AIRFOIL  
 SKEW STAB 1/16 TO RIGHT



VIEW FROM REAR

1/32 PLYWOOD BRACE  
 LEFT TIP ONLY  
 OPTIONAL IS 2 BRACES  
 OF .008 CARBON



1/16 BASSWOOD LE

1/16 SQ SKEW GUIDE

WING 5/16 BALSA

AIRFOIL HIGH POINT

1/64th PLY DOUBLER

FIN  
 MED- LIGHT 3/32  
 C-GRAIN

STAB  
 MED- LIGHT .070  
 C-GRAIN

HATCHED AREAS  
 REPRESENT 3/4 OZ  
 GLASS CLOTH

SANDPAPER GRIP  
 ON LEFT WINGTIP  
 TOP AND BOTTOM  
 BOTTOM PIECE HALF SIZE

GLASS ON LEFT TIP ONLY

BOTTOM LAYER

WASHIN WEDGE  
 RIGHT SIDE ONLY