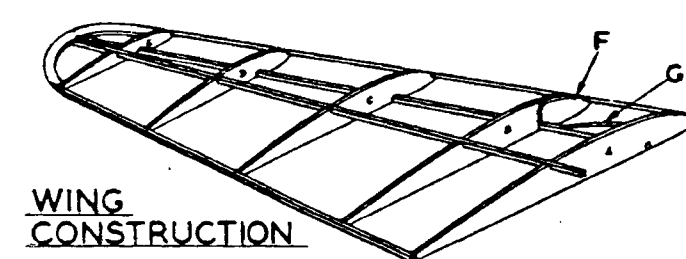
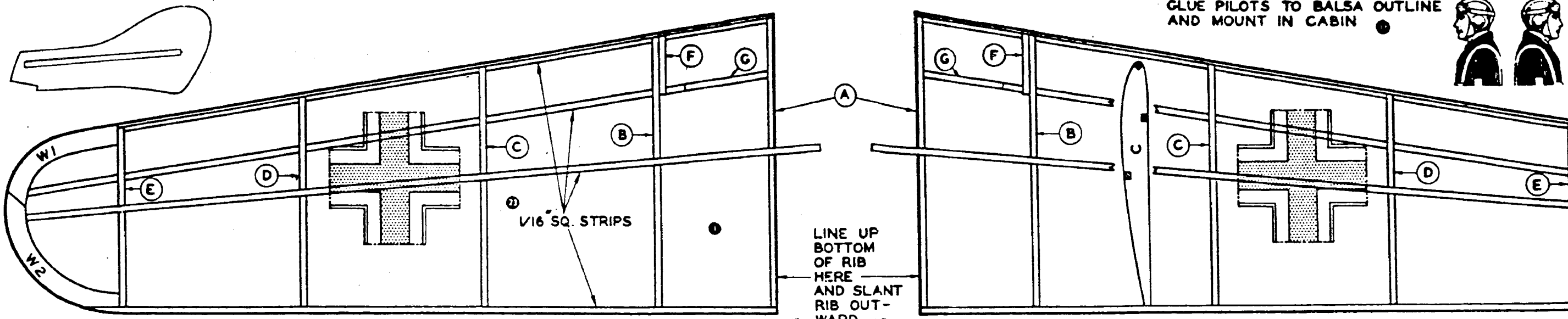
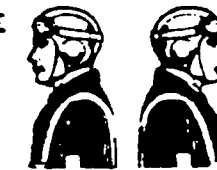
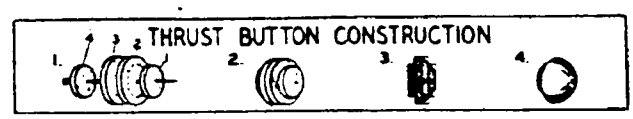
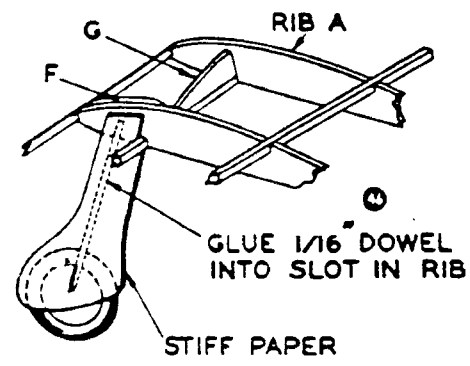


GLUE PILOTS TO BALSA OUTLINE AND MOUNT IN CABIN

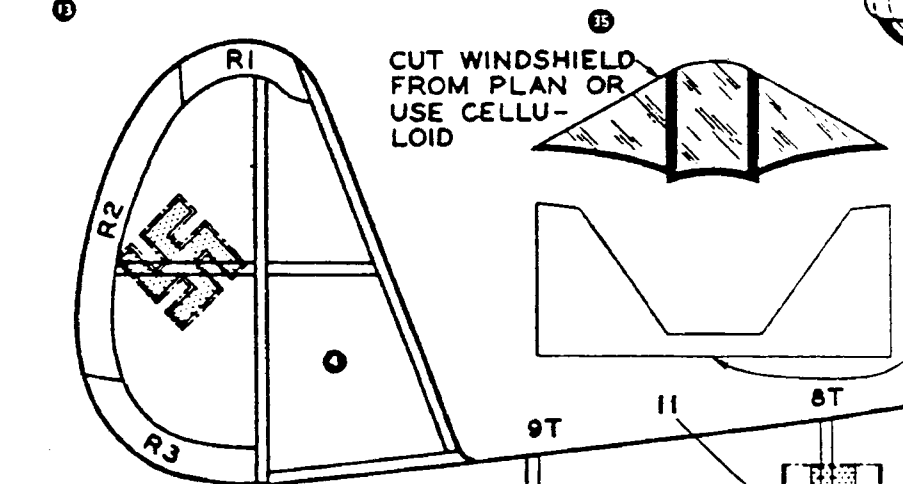
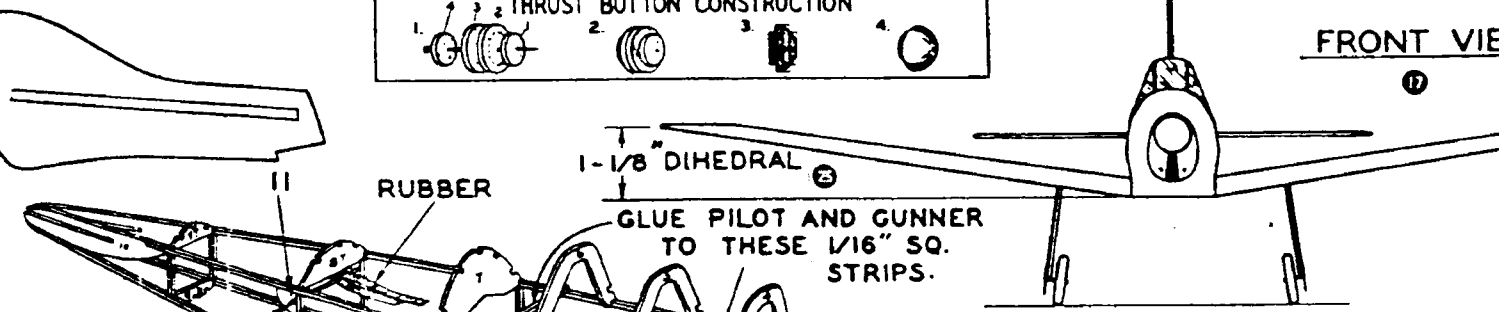


WING CONSTRUCTION



THRUST BUTTON CONSTRUCTION

FRONT VIEW



CUT WINDSHIELD FROM PLAN OR USE CELLULOID

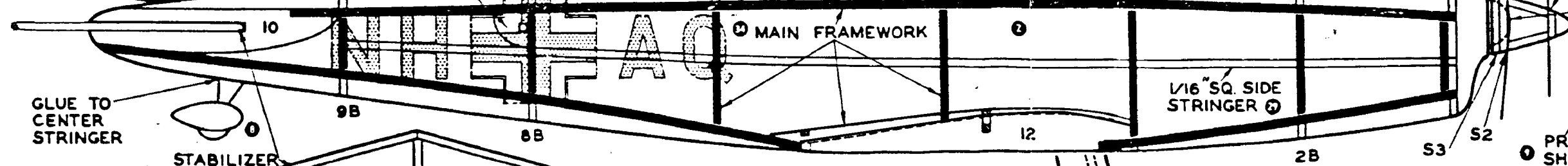
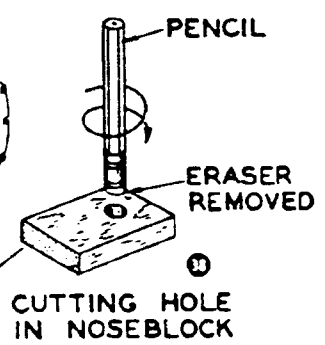
GLUE THIS END OF COCKPIT COAMING AROUND 3



DOWEL HOLDS RUBBER MOTOR

GLUE TO 3

NOTCHES FOR 1/16\"/>



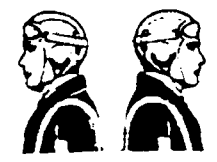
MAIN FRAMEWORK

1/16\"/>

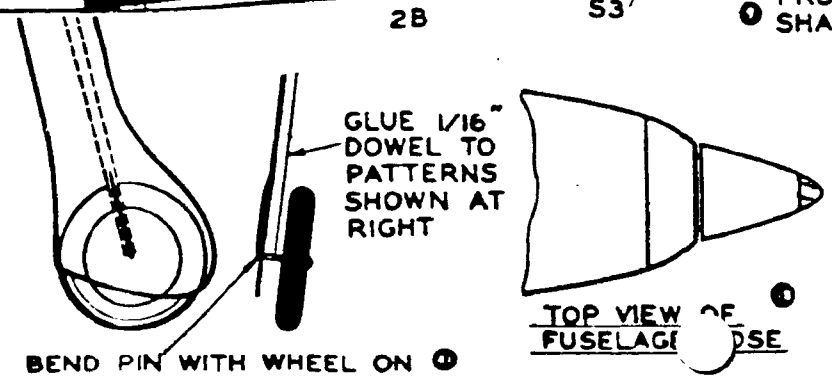
GLUE TO CENTER STRINGER

STABILIZER

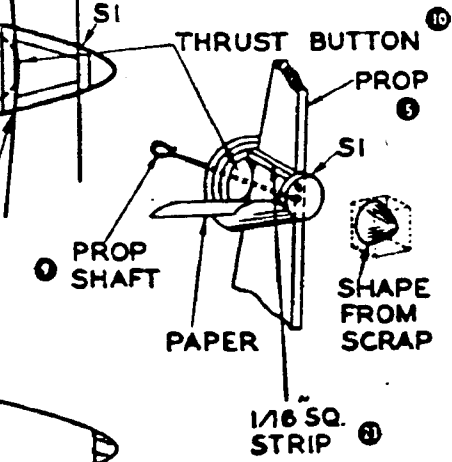
1/16\"/>



GLUE TO BALSA OUTLINE AND MOUNT ON 1/16\"/>



TOP VIEW OF FUSELAGE



THRUST BUTTON

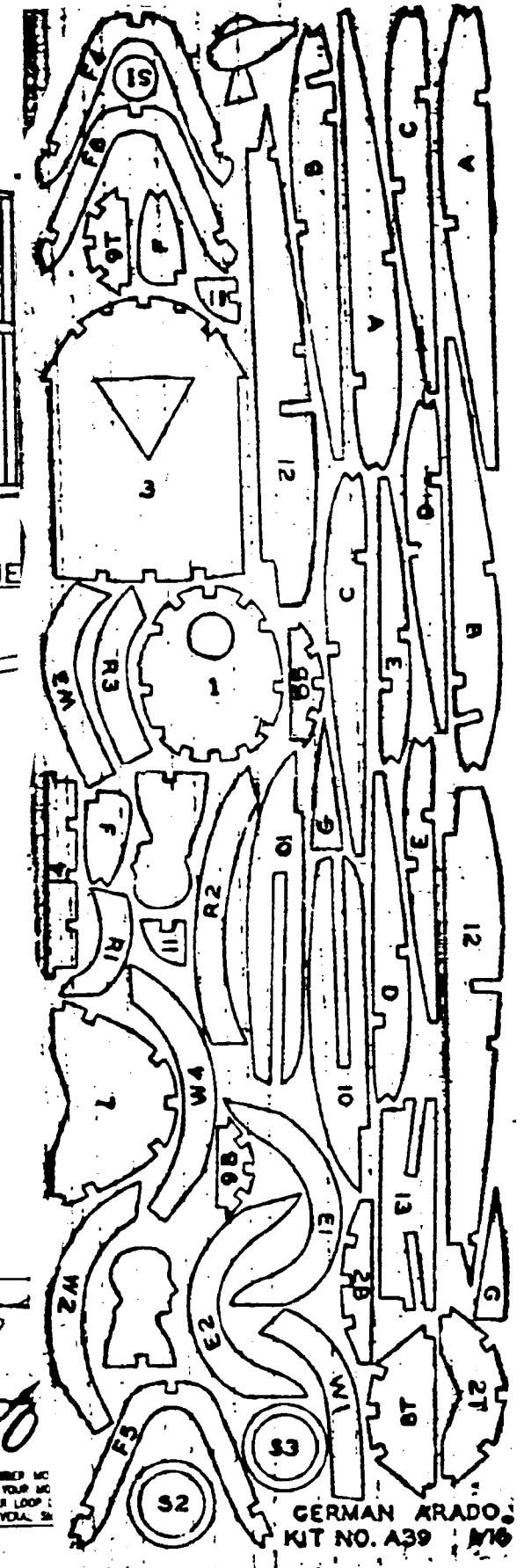
PROP

PROP SHAFT

PAPER

SHAPE FROM SCRAP

1/16\"/>



GERMAN ARADO KIT NO. A39

GERMAN ARADO
WINGSPAN 16" LENGTH 12-5/8"
KIT NO. A39 | DRAWN BY [signature]