

CUT ABOVE MOTOR DESIGN FROM PLAN & STICK TO THE FRONT OF COWLING.

COLOR SCHEME

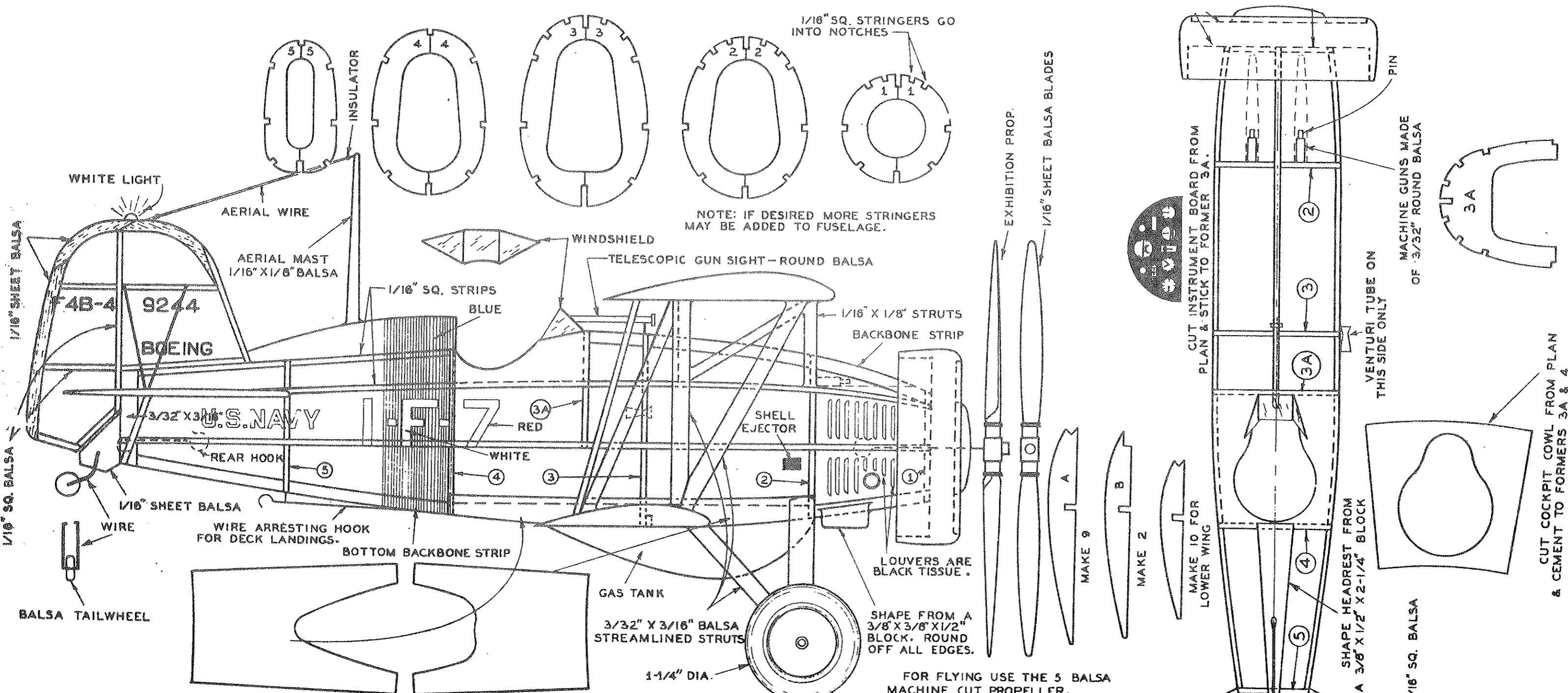
LOWER & UNDER SIDE OF TOP WING - WHITE.
 TOP OF UPPER WING - YELLOW.
 RUDDER & UNDERSIDE OF ELEVATOR - WHITE.
 TOP OF ELEVATOR - YELLOW.
 COWLING & STRUTS - ALUM.
 FUSELAGE - WHITE.

NOTE: IF DESIRED MODEL MAY BE DOPED USING COMET NU-DOPE. ALL COLORS ARE SOLD BY COMET DEALERS.

IF MODEL IS DOPED SUBSTITUTE ALUMINUM FOR WHITE.

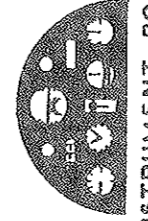
FUSELAGE MAY BE GRAY INSTEAD OF ALUMINUM. A BIT OF BLACK IN WHITE DOPE WILL PRODUCE GRAY.

COMET U.S. NAVY
BOEING FIGHTER
F4B-4



1/16" SQ. STRINGERS GO INTO NOTCHES

NOTE: IF DESIRED MORE STRINGERS MAY BE ADDED TO FUSELAGE.

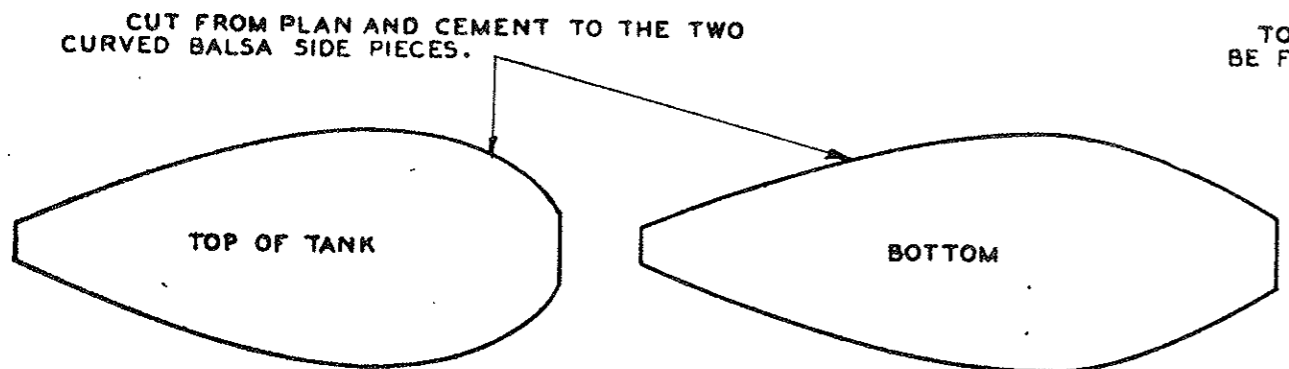


CUT ABOVE SHAPES FROM PLAN AND STICK TO BOTTOM OF FUSELAGE AS SHOWN ABOVE. LOWER WING IS ATTACHED TO BOTTOM OF FUSELAGE IN ONE PIECE. CRACK SPARS AT MIDDLE FOR DIHEDRAL ANGLE. COVER WING BEFORE IT IS ATTACHED TO FUSELAGE.

AUXILIARY GAS TANK

TO BE USED ONLY IF MODEL WILL NOT BE FLOWN AS IT ADDS UNNECESSARY WEIGHT.

CUT TWO SIDE PIECES FROM 1/16" SHEET Balsa. NOW MOISTEN THEM AND BEND TO SHAPE BY HOLDING AGAINST A LIGHTED ELECTRIC LIGHT BULB.



NOTE: BEGIN CONSTRUCTION OF MODEL BY PINNING BACKBONE STRIPS DOWN ON PLAN. THESE ARE CUT FROM THE PRINTED Balsa SHEET. NEXT CUT OUT FORMERS AND CEMENT TO BACKBONE STRIPS. A 1/16" SQ. BY 3-3/8" STRIP IS PLACED AT TOP REAR.