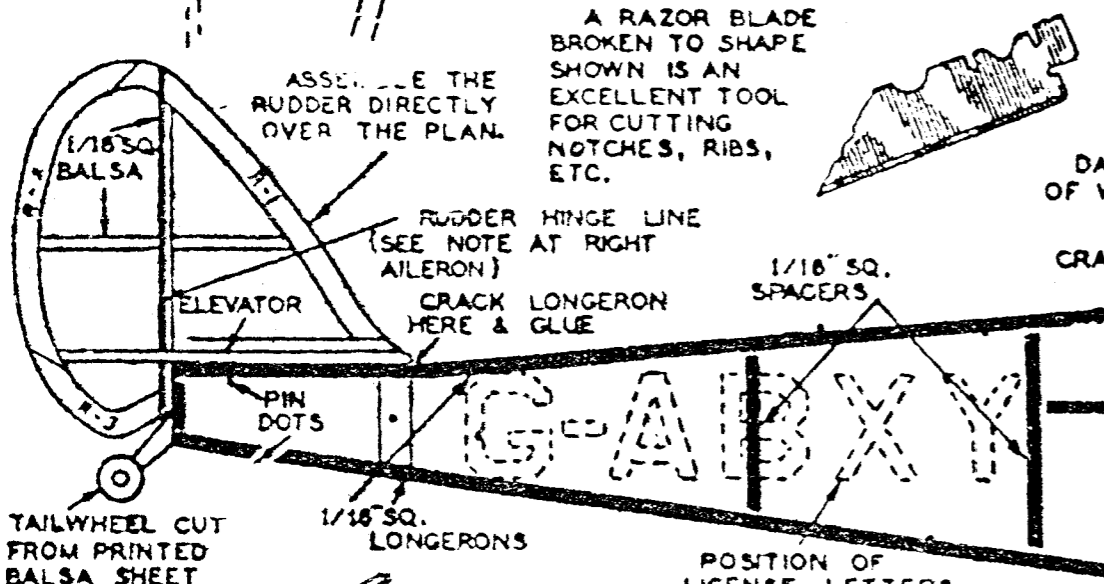
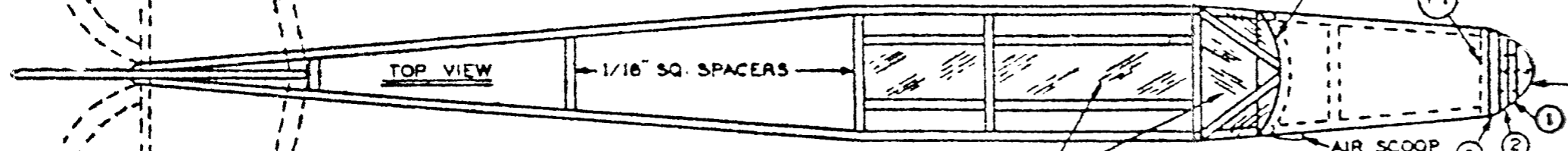
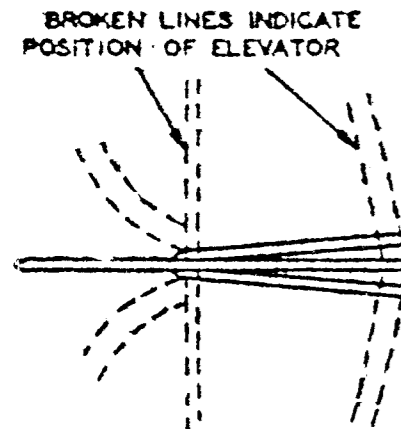
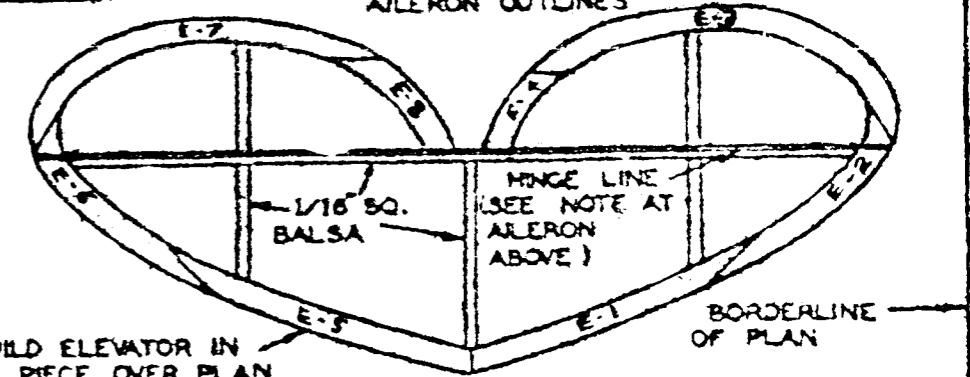


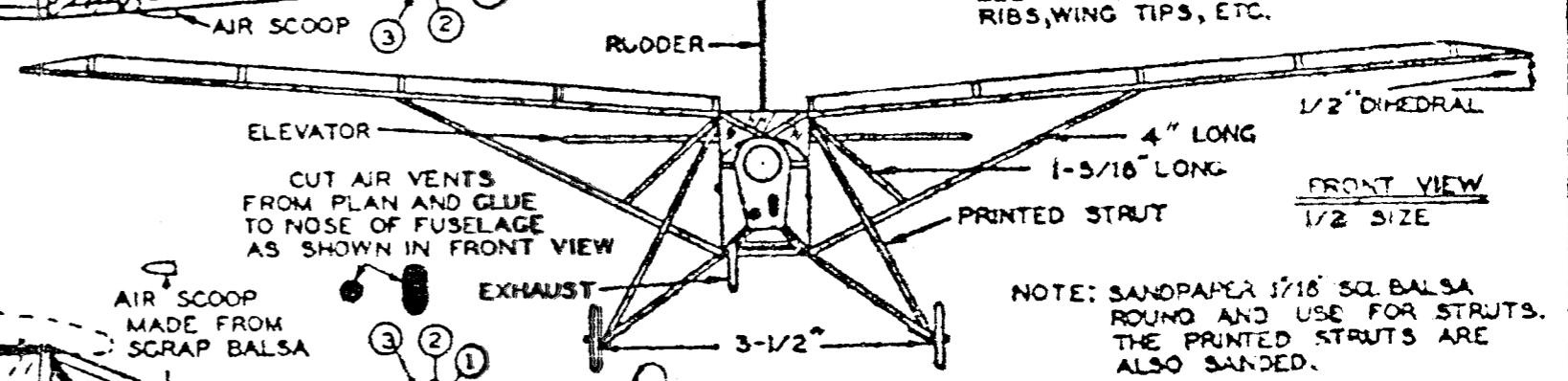
COLOR SCHEME
 WINGS & ELEVATORS - ORANGE
 FUSELAGE & RUDDER - GREEN

G-ABXY
G-ABXY

CUT THESE LETTERS FROM PLAN AND STICK TO SIDES OF FUSELAGE AS SHOWN IN SIDE VIEW.

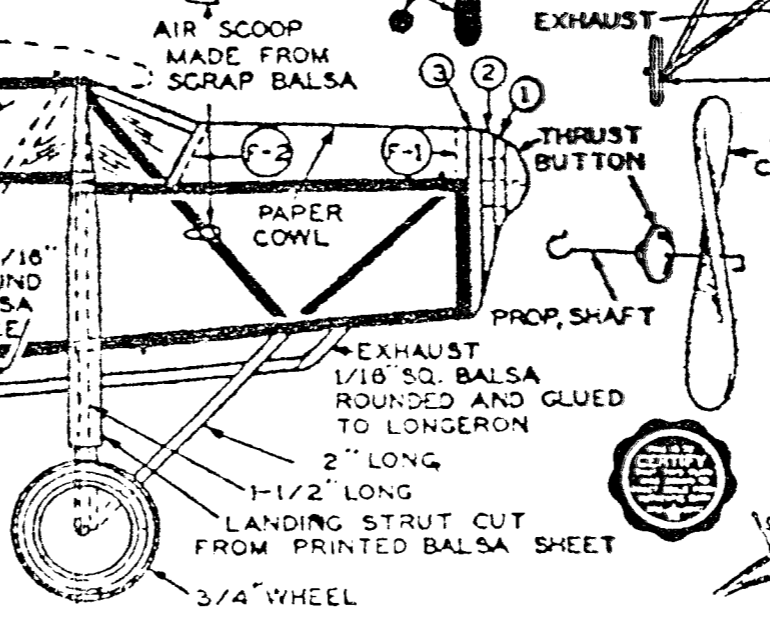


CELLOPHANE OBTAINED FROM FOOD OR CANDY WRAPPER IS USED FOR CABIN WINDOWS



USE THREAD OR BORDERLINE OF PLAN TO INDICATE DOOR OUTLINE ON RIGHT SIDE

READ INSTRUCTIONS ON BACK OF BOX BEFORE BEGINNING TO BUILD MODEL.



USE A MACHINE CUT PROPELLER

PROPELLER DETAIL

FAVORITE BRITISH SPORT PLANE WHICH WON NATIONAL ACCLAIM WHEN FLOWN BY CAPT. MOLLISON IN FIRST EAST-WEST ATLANTIC HOP.

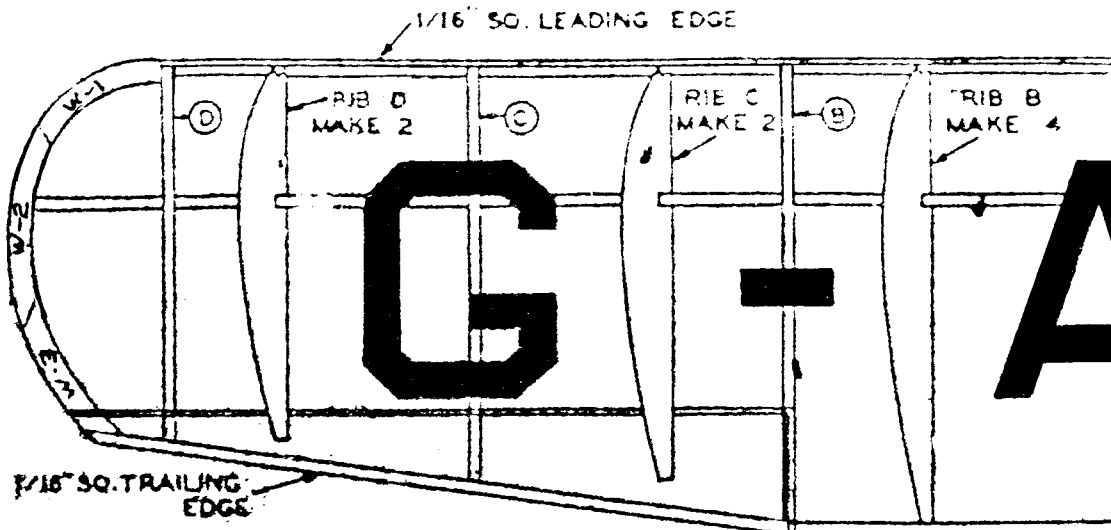
PUSS MOTH

WINGSPAN - 16" LENGTH - 11"

KIT NO. A-10 SERIES ONE STAR

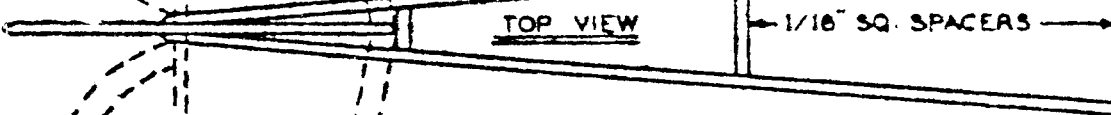
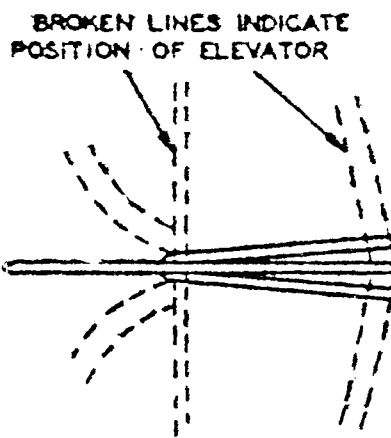
DRAWN BY [Signature] LETTERED BY [Signature]

COMET MODEL AIRPLANE SUPPLY CO. INC.

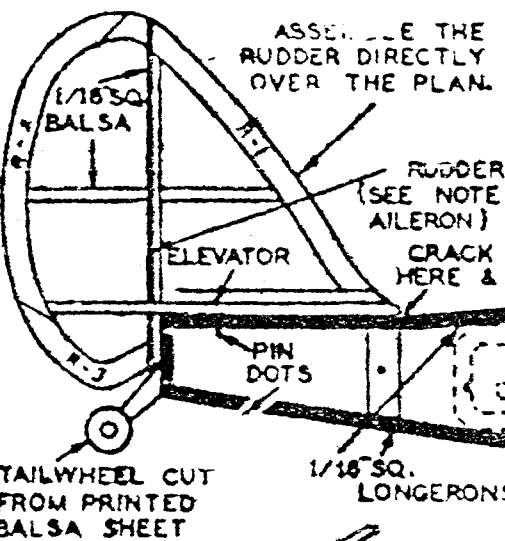


COLOR SCHEME
 WINGS & ELEVATORS - ORANGE
 FUSELAGE & RUDDER - GREEN

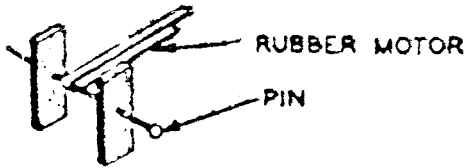
G-ABXY CUT AND S AS SHO
G-ABXY



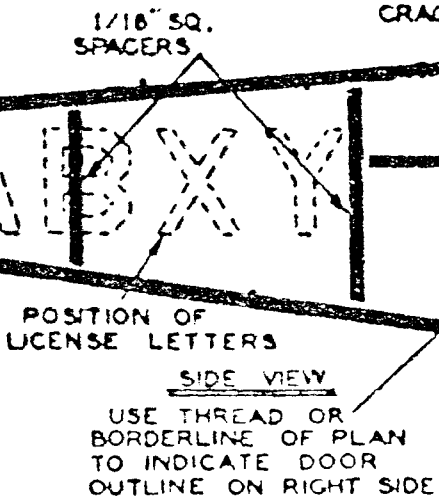
A RAZOR BLADE BROKEN TO SHAPE SHOWN IS AN EXCELLENT TOOL FOR CUTTING NOTCHES, RIBS, ETC.



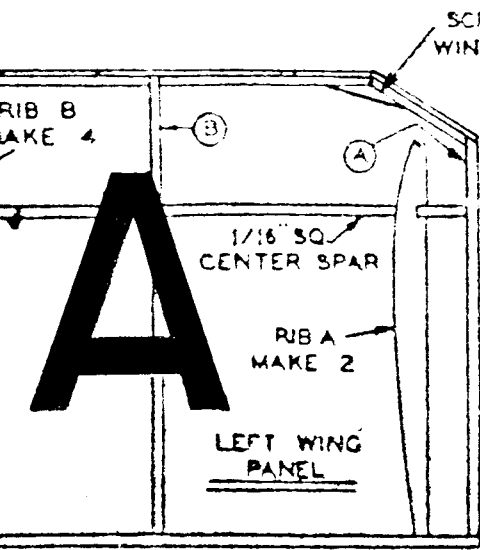
TAILWHEEL CUT FROM PRINTED Balsa SHEET



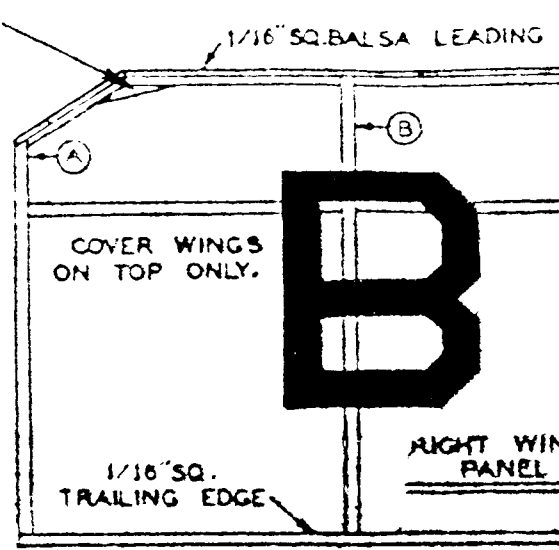
REAR HOOK DETAIL



READ INSTRUCTIONS ON BACK OF BOX BEFORE BEGINNING TO BUILD MODEL.



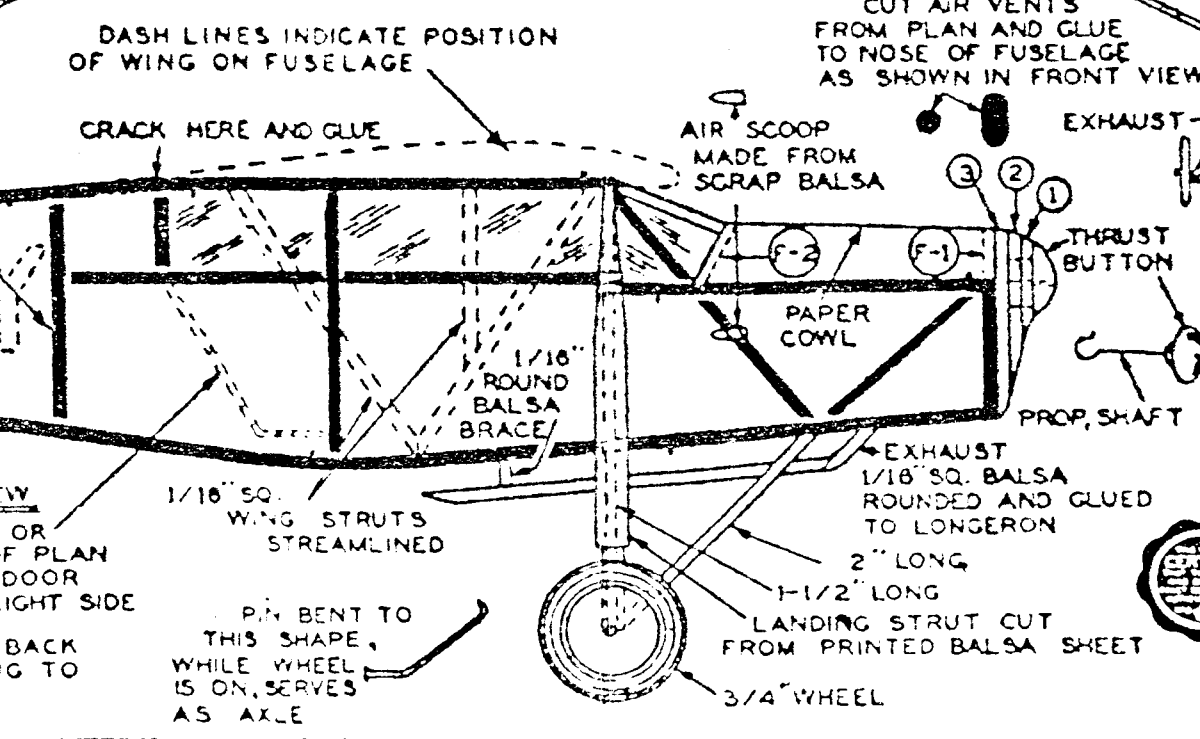
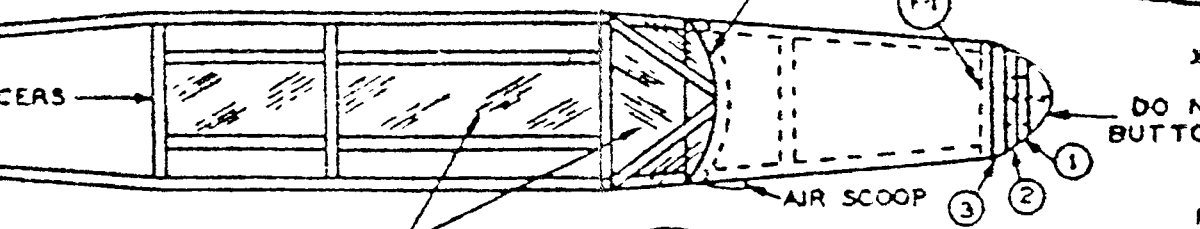
ASSEMBLE BOTH WING
- PANELS DIRECTLY OVER
- THE PLAN.



CUT THESE LETTERS FROM PLAN
AND STICK TO SIDES OF FUSELAGE
AS SHOWN IN SIDE VIEW.

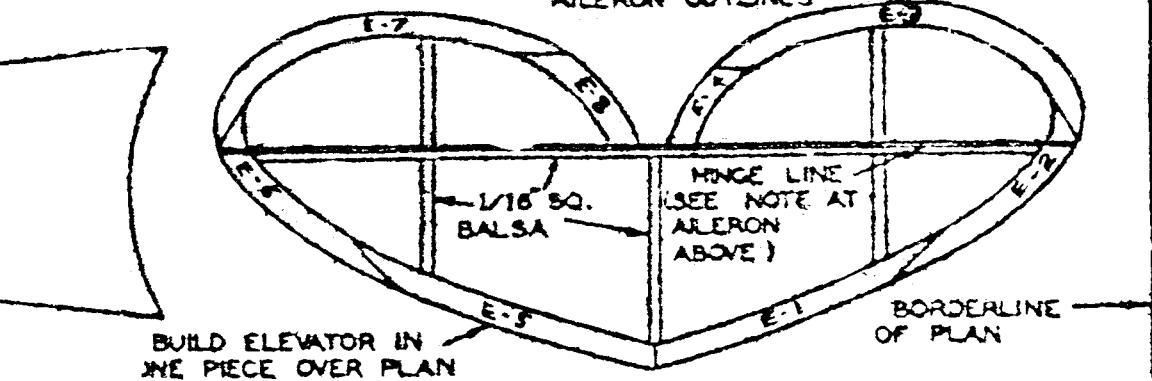
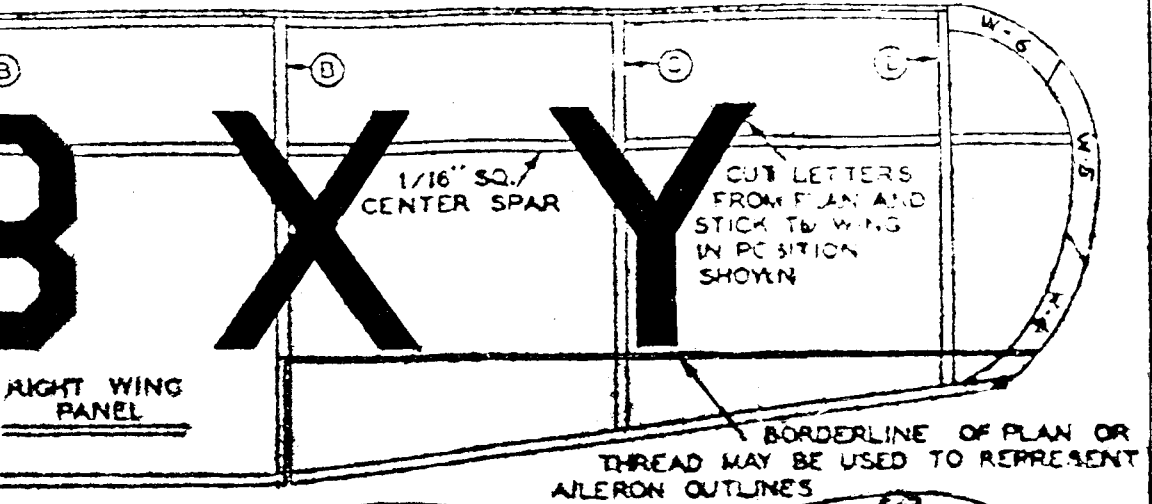
CUT MOTOR COWL
FROM PLAN AND
GLUE TO FORM-
ERS F-1 & F-2,
THEN COVER IT
WITH GREEN
TISSUE

CUT INSTRUMENT
PANEL FROM PLAN
AND GLUE ON FORMER F-2.



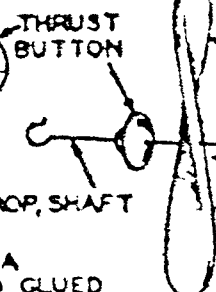
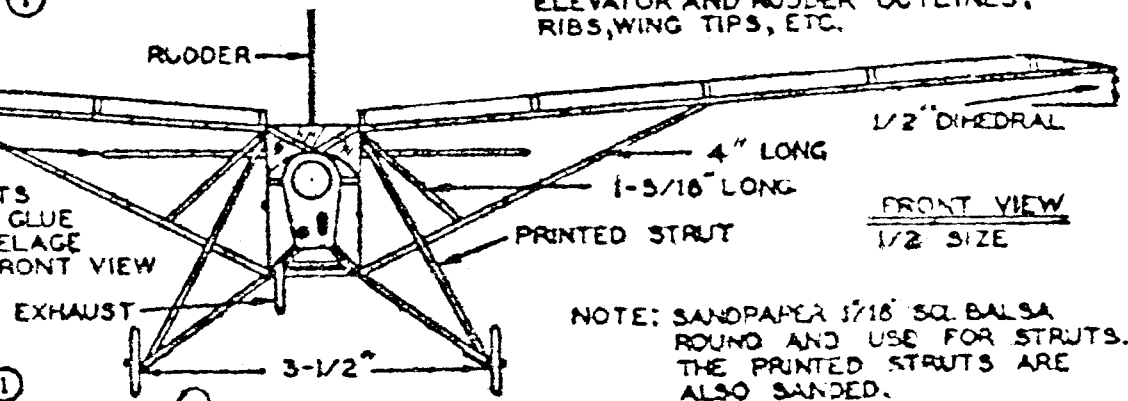
WHEEL BENT TO THIS SHAPE, WHILE WHEEL IS ON, SERVES AS AXLE

A LEADING EDGE ROUNDED SLIGHTLY IN FRONT



DO NOT GLUE THRUST BUTTON TO FUSELAGE

NOTE: ALL CURVED PIECES ARE CUT FROM PRINTED Balsa SHEET, SUCH AS ELEVATOR AND RUDDER OUTLINES, RIBS, WING TIPS, ETC.



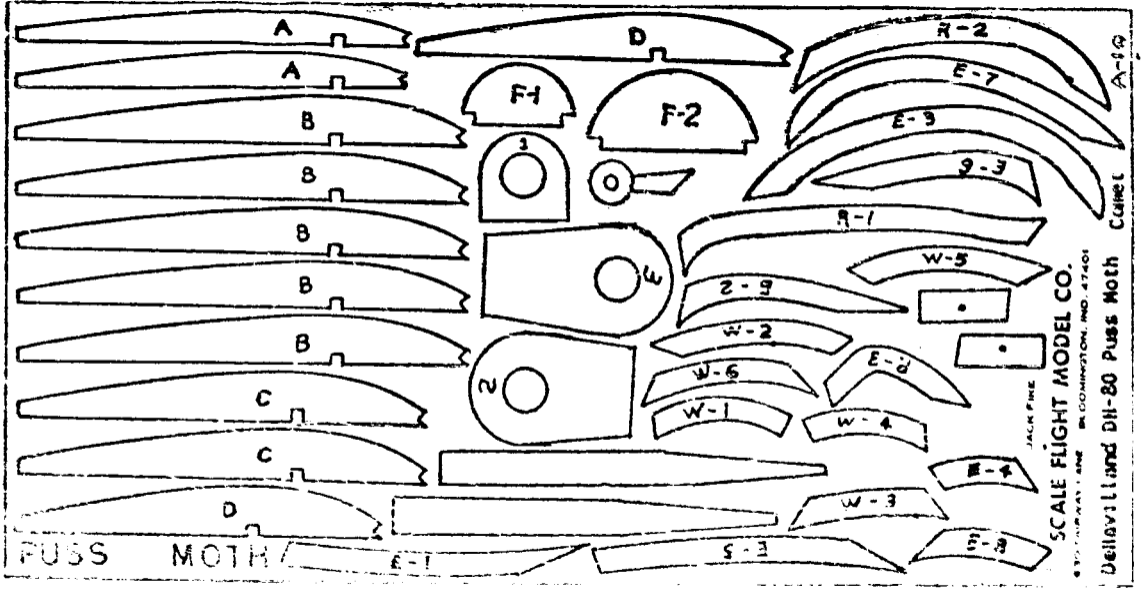
FAVORITE BRITISH SPORT PLANE WHICH WON NATIONAL ACCLAIM WHEN FLOWN BY CAPT. MOLLISON IN FIRST EAST-WEST ATLANTIC HOP.

PUSS MOTH

WINGSPAN - 16" LENGTH - 11"

KIT NO. A-10 - SERIES ONE STAR

DRAWN BY [Signature] LETTERED BY [Signature]



PUSS MOTH

SCALE FLIGHT MODEL CO.

630 CALIFORNIA AVE. BR. CONNISTON, IND. 47401

Delevilland DH-80 Puss Moth

Caret

A-19