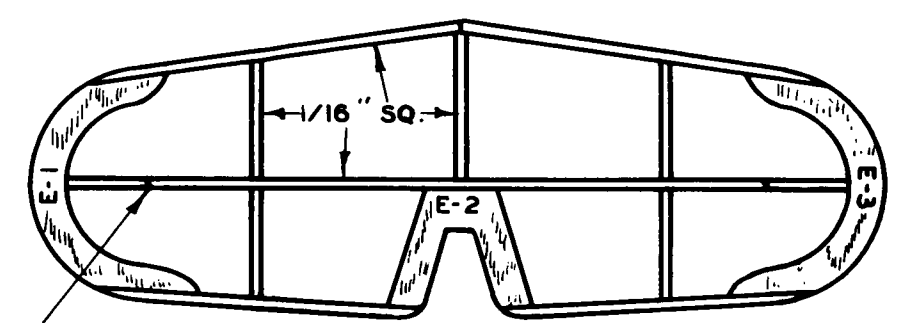
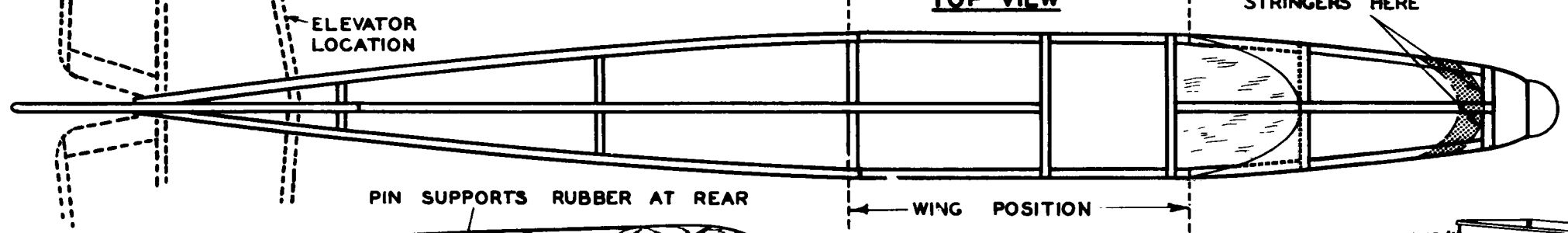
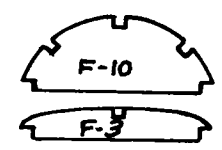
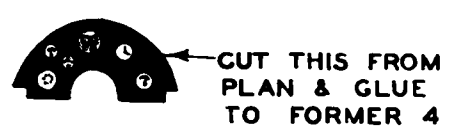
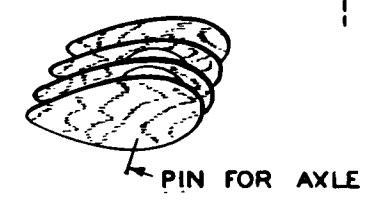
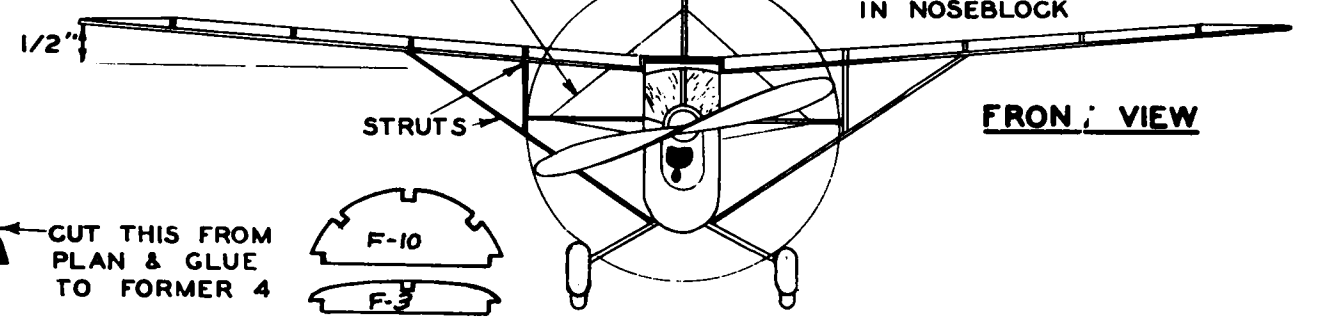
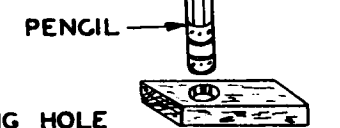


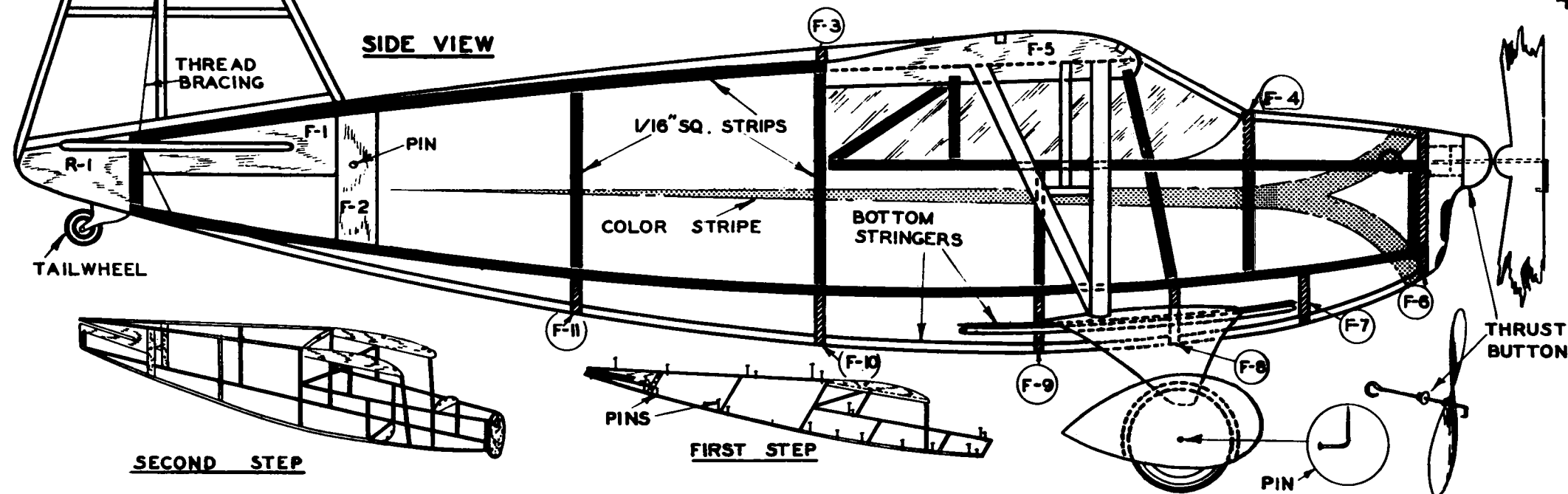
TOP VIEW



ENTIRE MODEL IS RED. WHITE COLOR STRIPE

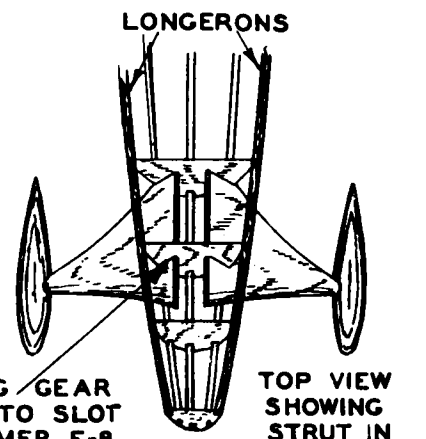
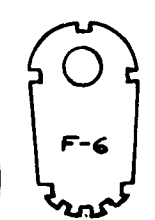
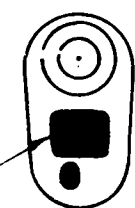


SIDE VIEW



ADD WEIGHTS TO THE NOSE IF THE MODEL TENDS TO STALL.

CUT NOSE BLOCK TO THIS SHAPE. PAINT MARKINGS WITH INDIA INK OR BLACK DOPE



BOTTOM VIEW OF WHEEL PANT.



REARWIN SPEEDSTER

WINGSPAN 16" | LENGTH 10"

DRAWN BY Edward Lidgard. KIT NO. A28

