

NCI 3576

CUT ABOVE LICENSE LETTERS FROM PLAN AND STICK TO LEFT SIDE OF THE RUDDER

NCI 3576

CUT LETTERS FROM PLAN AND STICK TO RIGHT RUDDER SIDE

NCI 3576

MOTOR COWLING PATTERN IS CUT FROM THE PLAN AND GLUED TO STIFF PAPER. CUT ROCKER ARM HOUSINGS FROM 1/8" PRINTED Balsa SHEET AND SAND TO A STREAMLINE SHAPE, GLUE IN PLACE AS SHOWN ABOVE. THEN CEMENT COWLING AROUND FORMER "B".

CENTER LANDING GEAR STRUT PATTERN. BUILD 2 DIRECTLY OVER PLAN USING 1/16" X 1/8" Balsa. COVER BOTH SIDES WITH TISSUE.

COLOR SCHEME
FUSELAGE & TAIL - YELLOW
WING - RED
DETAILS - BLACK

WING CONSTRUCTION
BUILD WINGS DIRECTLY OVER PLAN. COVER WITH TISSUE ON BOTH SIDES.

COWLING CONSTRUCTION
WHEN MOTOR DESIGN IS MOUNTED ON LIGHT CARD-BOARD, GLUE FORMER "A" TO IT, CEMENT FORMER "B" IN PLACE, THEN NOSEPIECE & FORMER "C". NOW GLUE COWLING PATTERN AROUND FORMER "B".

COWL END DETAIL

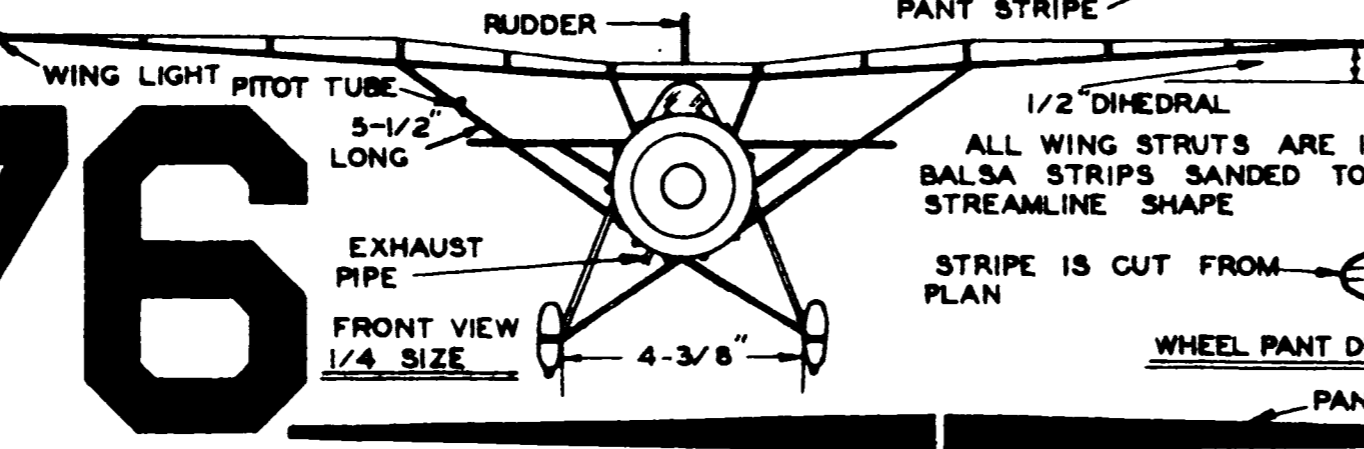
NOSEPIECE
CUT FROM 1/8" PRINTED SHEET

EXHAUST PIPE CUT FROM 1/8" Balsa SHEET AND SANDED TO STREAMLINE SHAPE.

BLACK PORTION INDICATES OPENING IN COWL FOR ACCESS IN MINOR REPAIR WORK

USE THE 6" MACHINE CUT PROPELLER FOUND IN KIT

CUT MAIN LANDING STRUT FROM 1/8" SHEET.



2 BOTTOM STRINGERS NOT SHOWN IN ORDER TO AVOID CONFUSION IN THE SIDE VIEW

CUT LICENSE LETTERS FROM PLAN AND ATTACH TO WING IN PROPER POSITION

MOTOR MOUNT DETAIL

2 BOTTOM STRINGERS NOT SHOWN IN ORDER TO AVOID CONFUSION IN THE SIDE VIEW

CUT LICENSE LETTERS FROM PLAN AND ATTACH TO WING IN PROPER POSITION

MOTOR MOUNT DETAIL

NOTE: ALL CONTROL SURFACES, DOOR OUTLINE AND DETAILS ARE REPRESENTED BY CUTTING THE PLAN BORDERLINE AND CAREFULLY GLUING IN POSITION.

NOTE: BUILD CENTER SECTION OVER PLAN AND GLUE TO FUSELAGE REFERRING TO SIDE VIEW FOR STRUT LENGTHS

ENLARGED CROSS SECTION OF PANT SHOWING CORE AND OUTSIDE COVERS

CENTER SECTION DETAIL (SEE RIGHT WING PANEL)

CELLOPHANE OBTAINED FROM A CANDY OR BREAD WRAPPER

WHITE NAVIGATION LIGHT

1/16" SQ. STRINGERS

CABANE STRUT 1-3/8"

1/16" SQ. STRINGERS

1/16" SQ. SPACERS

PIN LOCATIONS

STEP MADE OF 1/16" SQ. Balsa ROUNDED

DOOR OUTLINE

MAIN LANDING STRUT

NOSEPIECE

THRUST BUTTON

EXHAUST PIPE

FRONT VIEW 1/4 SIZE

WHEEL PANT DETAIL

PANT STRIPE

EXHAUST PIPE

FRONT VIEW 1/4 SIZE

WHEEL PANT DETAIL

PANT STRIPE

DAVIS DI-W
WINGSPAN - 25" LENGTH - 16-1/2"
KIT NO. 2A-167 SERIES - ONE STAR
DRAWN BY *John Davis* LETTERED BY *John Davis*