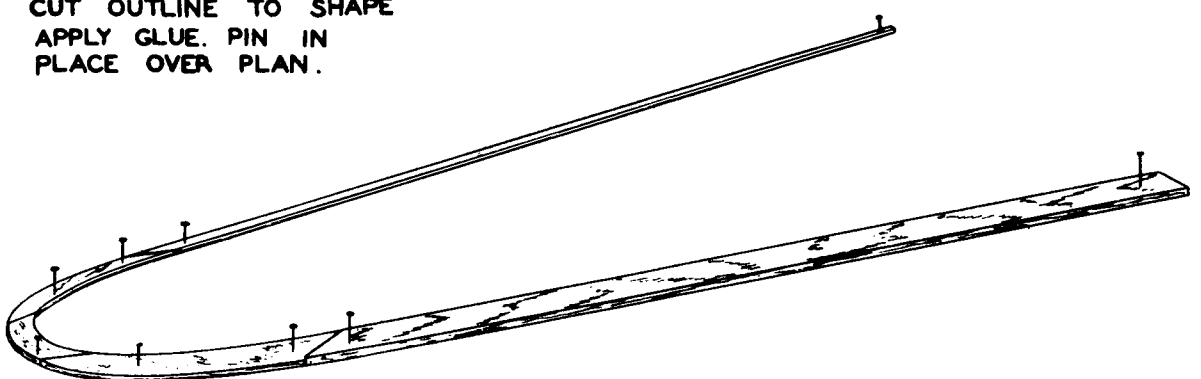
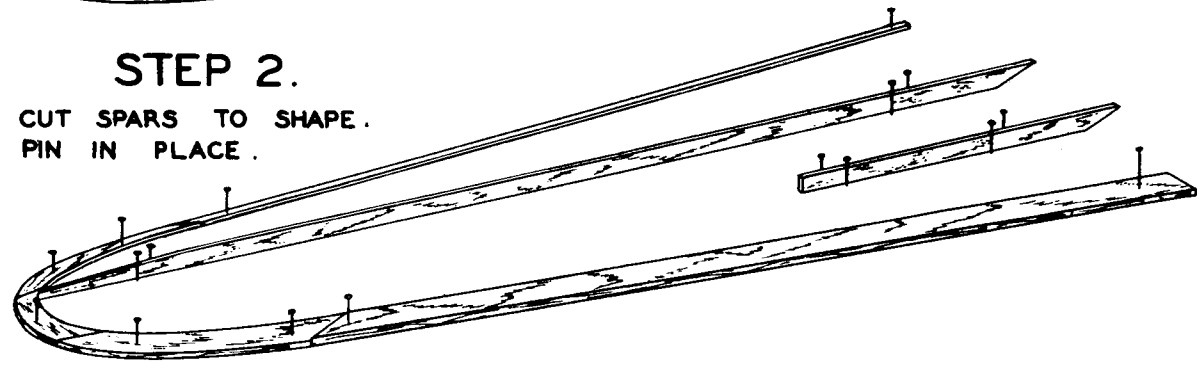


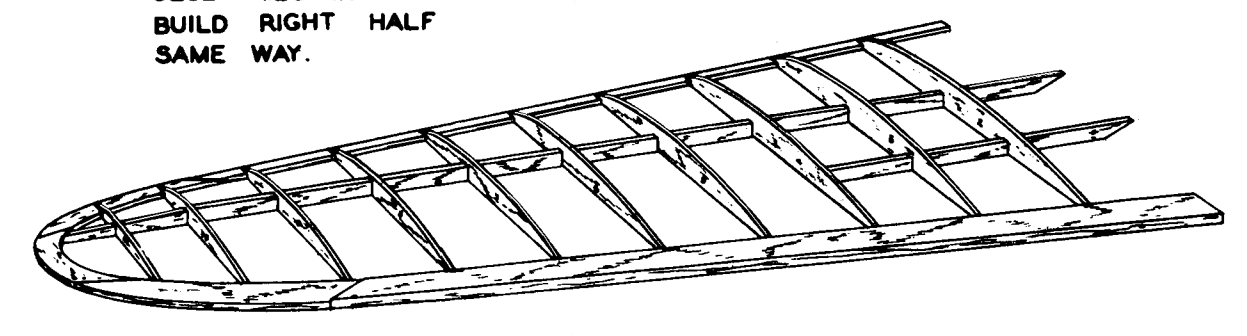
STEP 1.
CUT OUTLINE TO SHAPE. APPLY GLUE. PIN IN PLACE OVER PLAN.



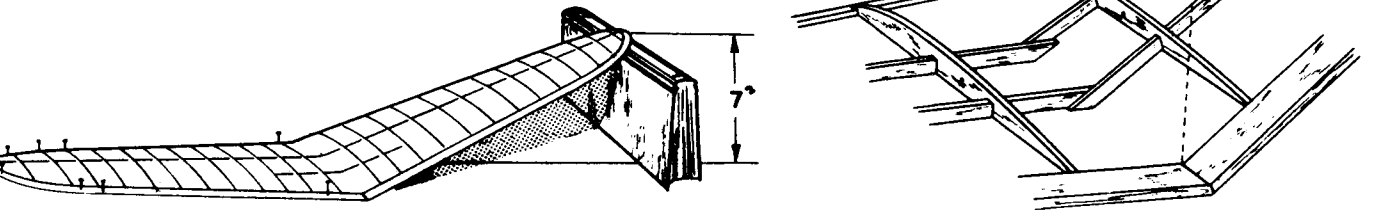
STEP 2.
CUT SPARS TO SHAPE. PIN IN PLACE.



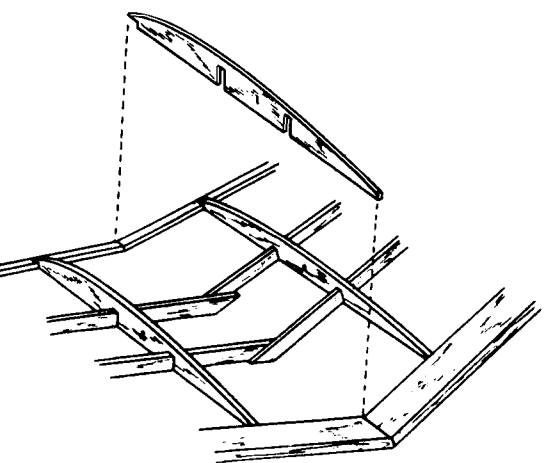
STEP 3.
GLUE RIBS IN PLACE. BUILD RIGHT HALF SAME WAY.



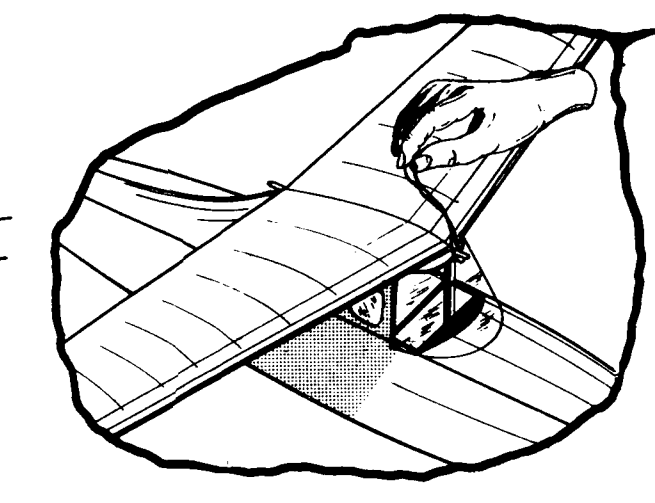
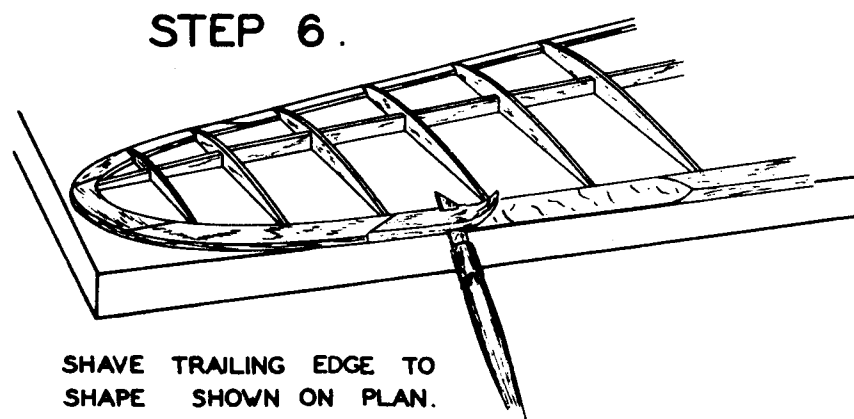
STEP 4.
BLOCK UP RIGHT HALF OF WING 7" ABOVE PLAN. GLUE CENTER JOINTS WELL.



STEP 5.
ADD RIB 1.



STEP 6.

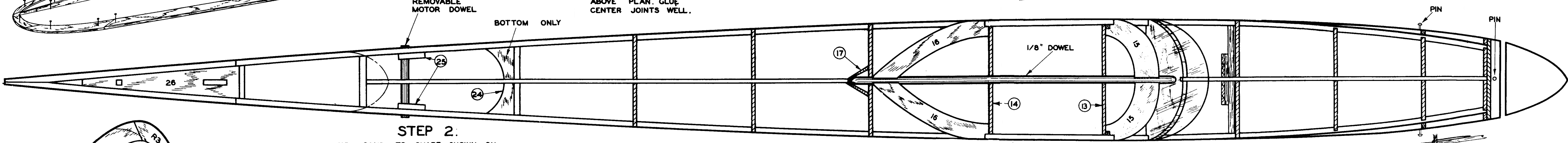
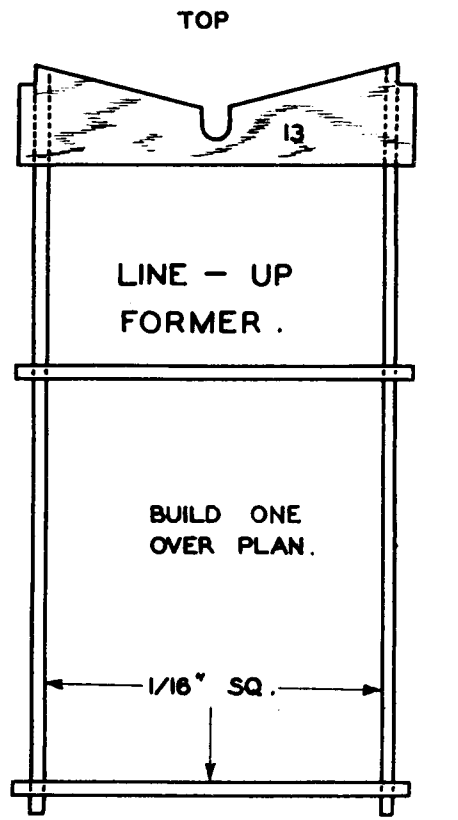


METHOD OF SECURING WING IN PLACE. USE 1-1/2" RUBBER BANDS. THIS SYSTEM ALLOWS THE WING TO BOUNCE OFF IN CASE OF COLLISION.

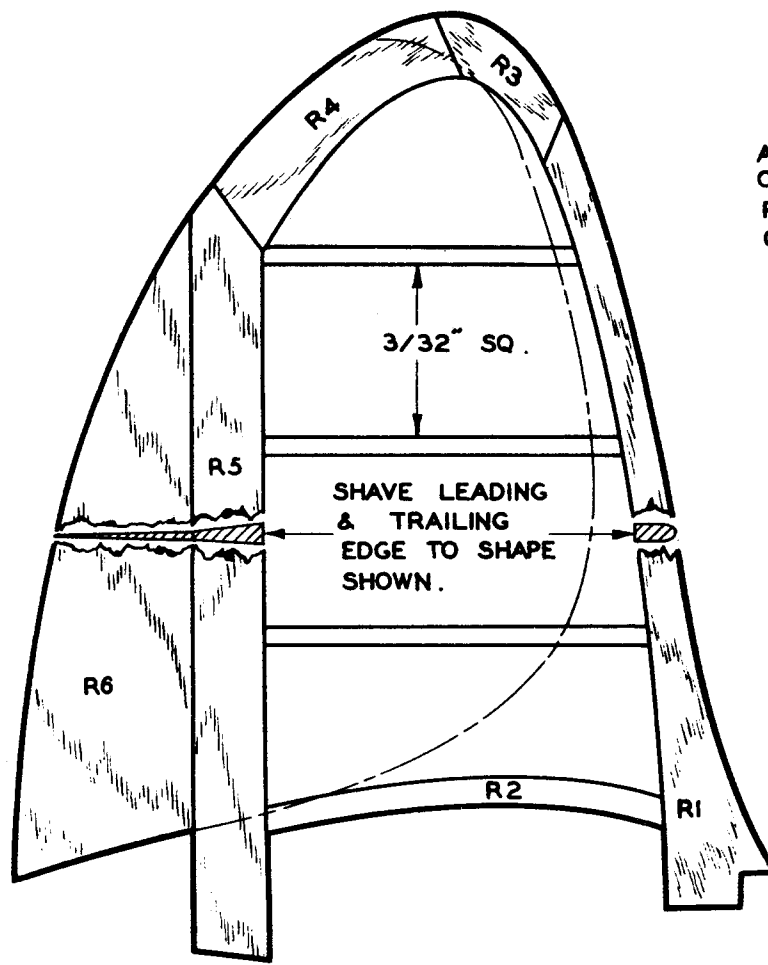
THRUST ANGLE ADJUSTMENTS MAY BE MADE BY GLUING IN SLIPS OF WOOD BETWEEN NOSEBLOCK AND BODY.

POWER

THIS MODEL FLIES WELL ON THE 8 STRAND MOTOR SUPPLIED IN THE KIT AFTER BECOMING FAMILIAR WITH ITS FLYING CHARACTERISTICS. A 10 STRAND MOTOR MAY BE USED FOR HIGHER PERFORMANCE. A FEW DROPS OF RUBBER LUBRICANT RUBBED ON INCREASES THE LIFE & PEP OF THE RUBBER. OBTAIN A VIAL AT YOUR LOCAL DEALER. FOR CONTEST FLYING OBTAIN FRESH RUBBER FROM YOUR LOCAL DEALER. USE A LONGER MOTOR TO BRING UP TO THE REQUIRED WEIGHT.

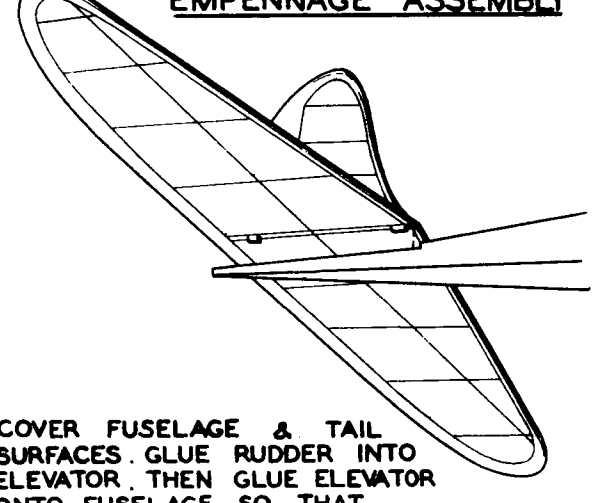


STEP 1.
APPLY GLUE TO OUTLINE PIECES. PIN IN PLACE OVER PLAN.

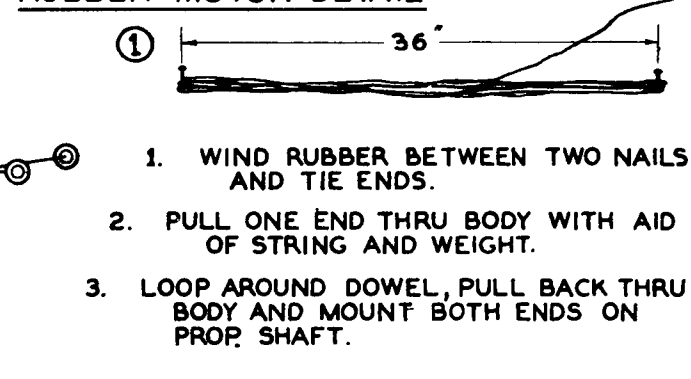


STEP 2.
CUT & SAND TO SHAPE SHOWN ON PLAN AT LEFT. ADD R6

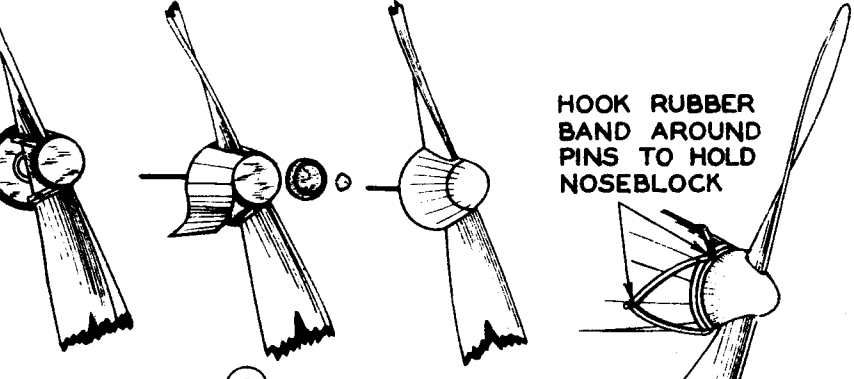
EMPELLAGE ASSEMBLY



RUBBER MOTOR DETAIL



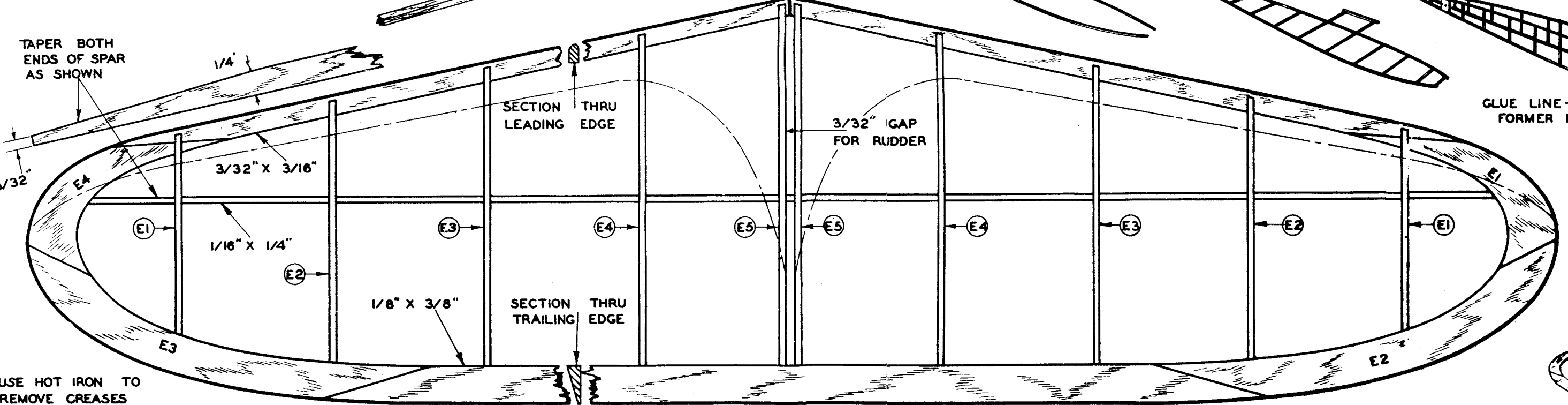
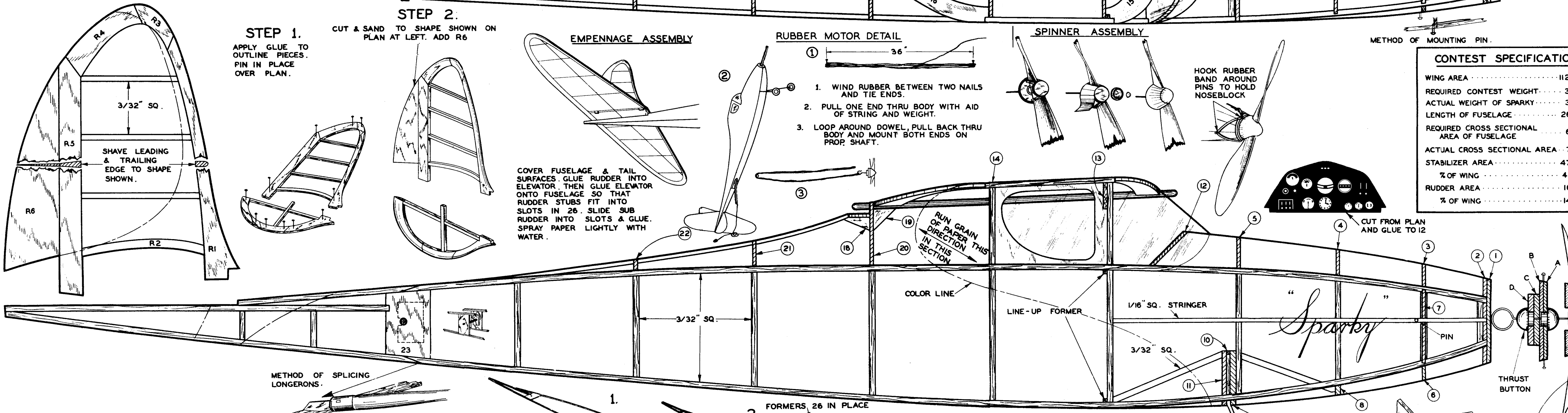
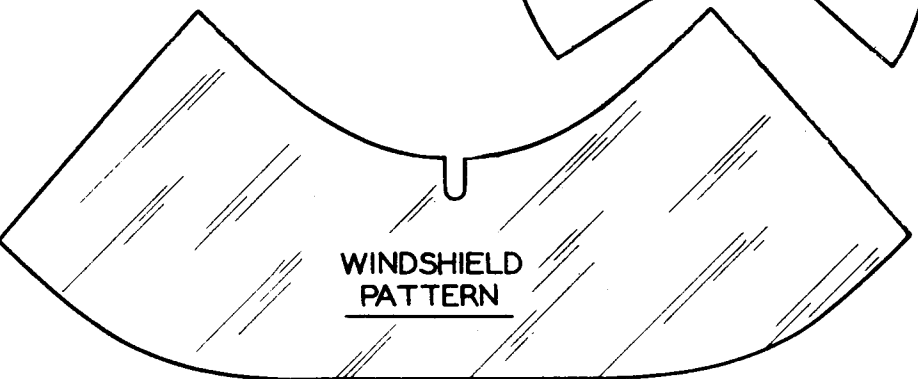
SPINNER ASSEMBLY



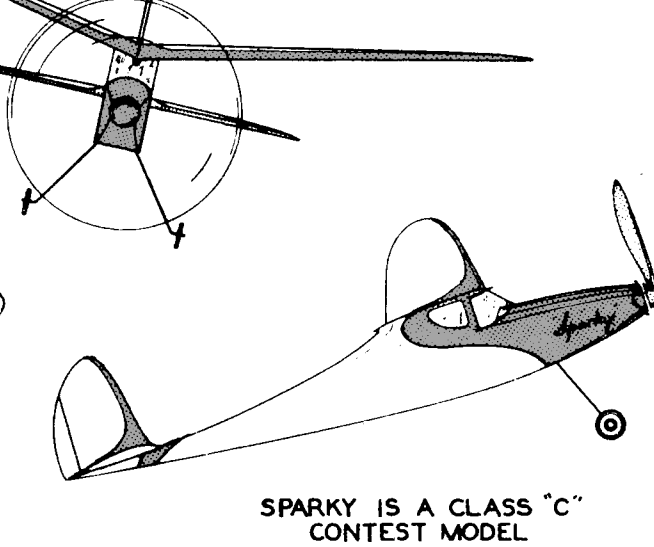
METHOD OF MOUNTING PIN.

CONTEST SPECIFICATIONS

WING AREA	112.50 SQ. IN.
REQUIRED CONTEST WEIGHT	3.36 OZ.
ACTUAL WEIGHT OF SPARKY	3.00 OZ.
LENGTH OF FUSELAGE	26 IN.
REQUIRED CROSS SECTIONAL AREA OF FUSELAGE	6.76 SQ. IN.
ACTUAL CROSS SECTIONAL AREA	7.50 SQ. IN.
STABILIZER AREA	47 SQ. IN.
% OF WING	42 %
RUDDER AREA	16.25 SQ. IN.
% OF WING	14.5 %



WRITE TO THE ACADEMY OF MODEL AERONAUTICS, WILLARD HOTEL, WASHINGTON, D.C. FOR INFORMATION ABOUT GETTING A RUBBER MODEL FLYERS LICENSE.



SPARKY

SPAN 32" LENGTH 26"

KIT NO. 3408 RUBBER POWERED MODEL

DESIGNED BY Edward Sedgwick

Reprinted by Cornell Maritime Press as a part of "Airplane Model Building," by permission of the copyright owner. Not to be sold separately.

