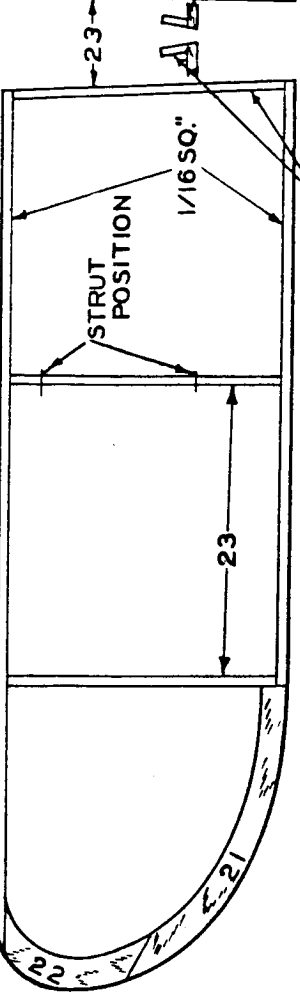
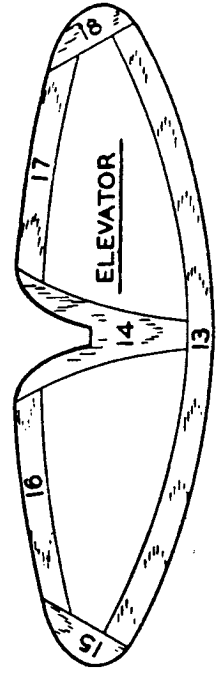


CUT LICENSE NUMBERS FROM PLAN & GLUE TO WING



SLANT END RIBS IN WING

GLUE COWL PATTERN TO NOSE BLOCK



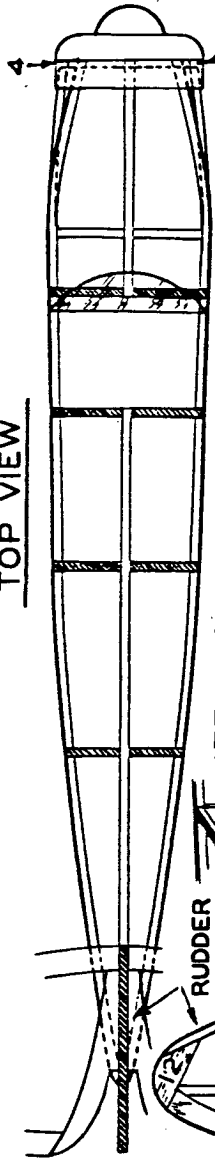
WINDSHIELD PATTERN



CUT OUT & GLUE TO NO. 5



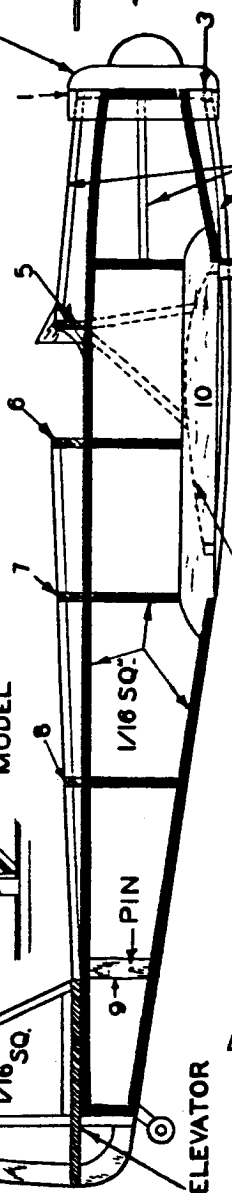
TOP VIEW



COCKPIT PATTERN

ATTACH RUBBER BEFORE COVERING MODEL

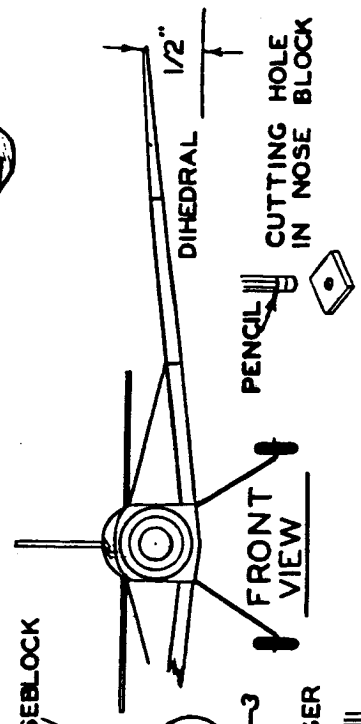
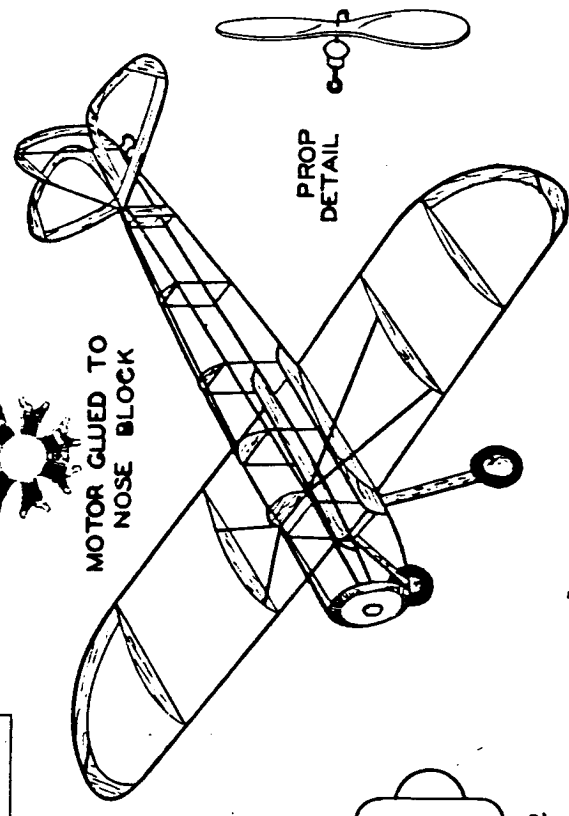
NOSEBLOCK



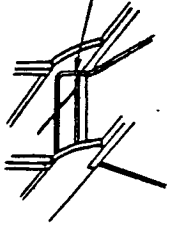
WING POSITION

DROP OF GLUE HOLDS WHEEL ON AXLE

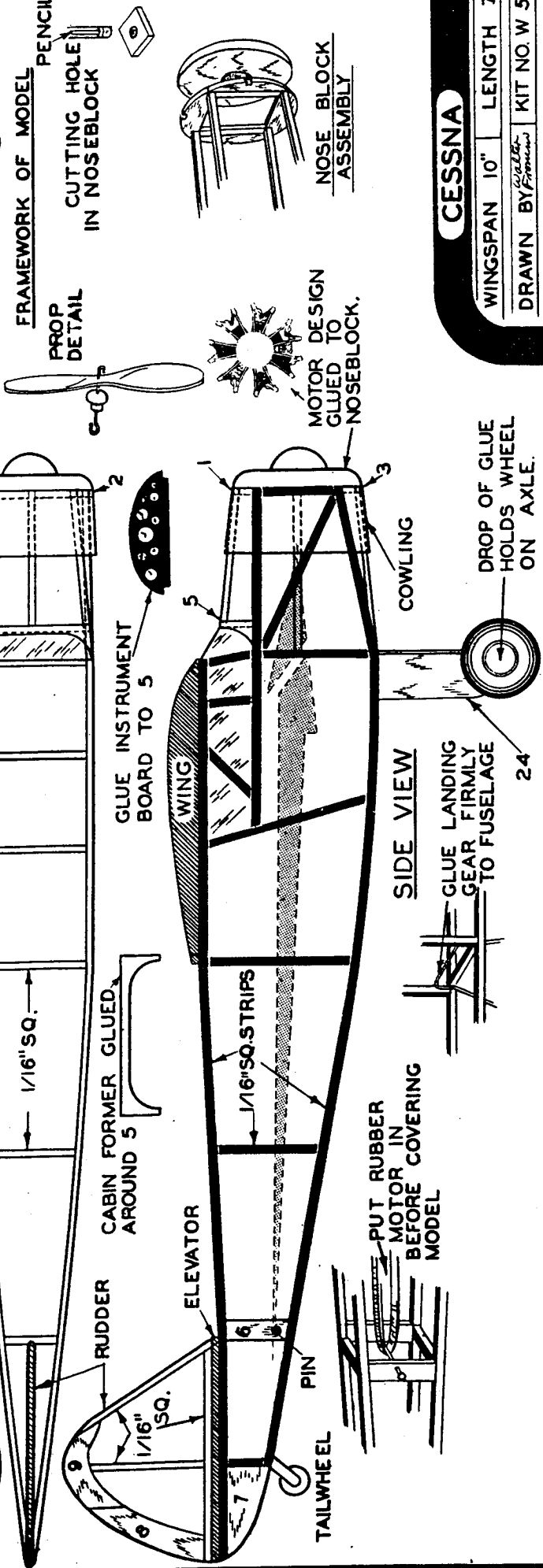
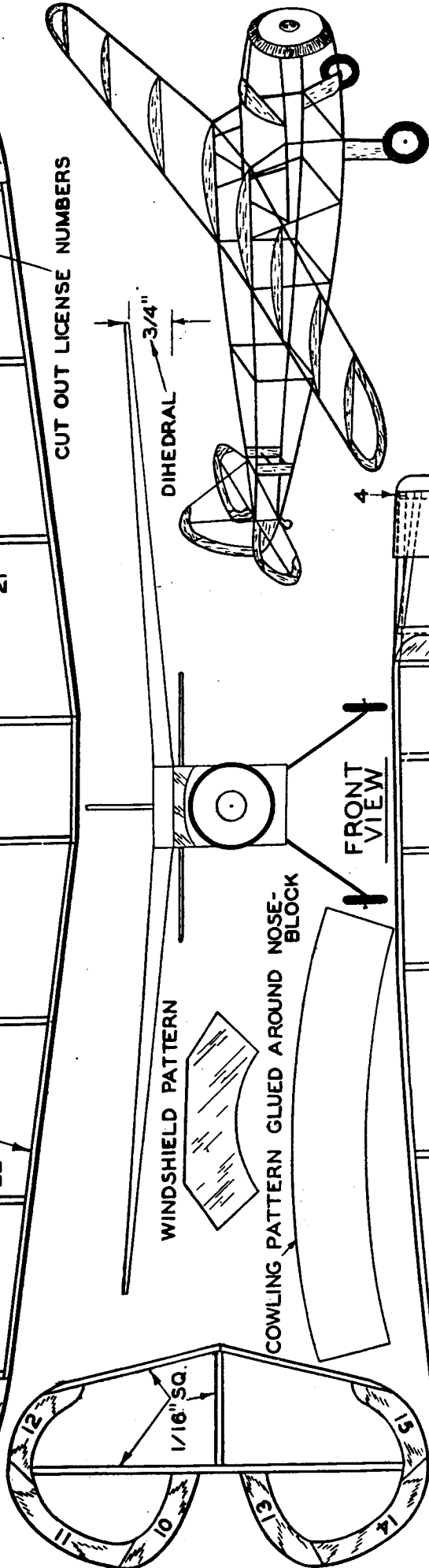
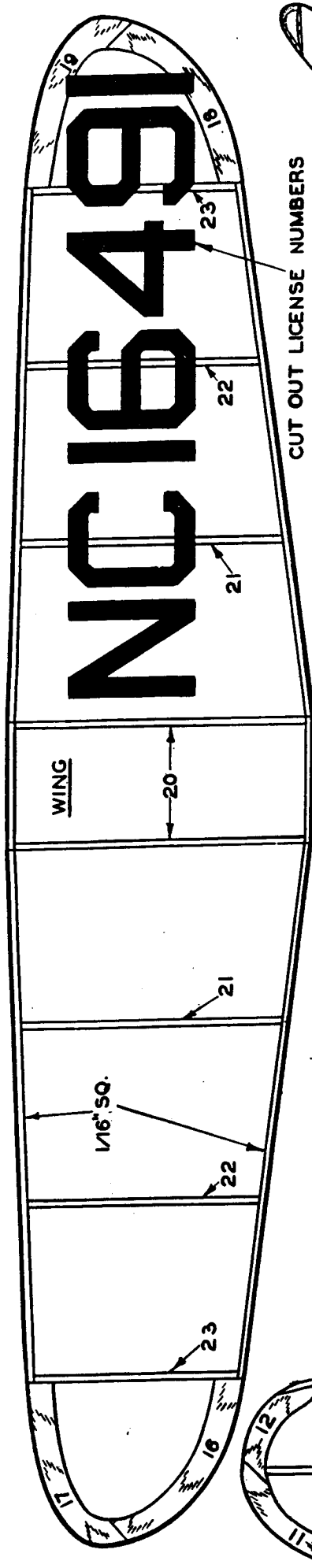
BUILD WING STRUTS ON PLAN



GLUE LANDING GEAR FIRMLY TO FUSELAGE



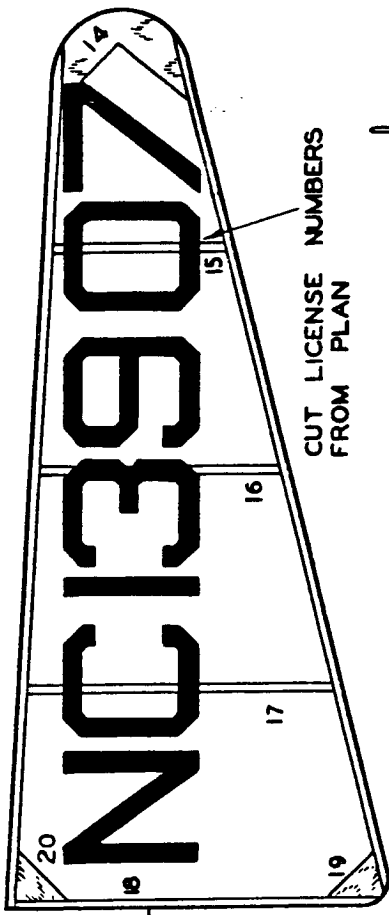
# NC16491



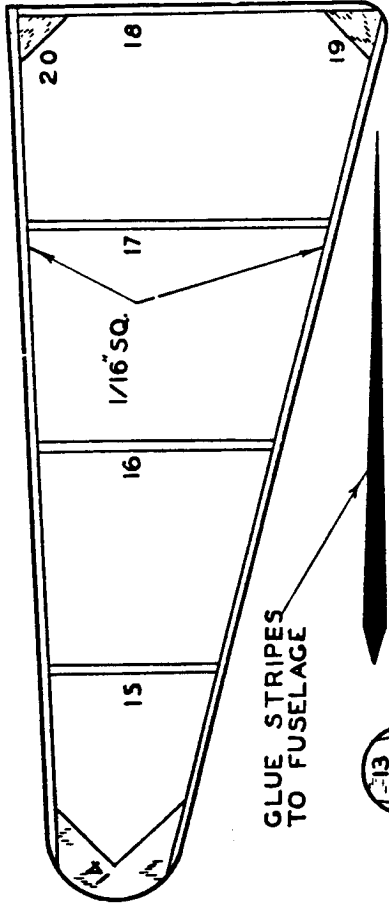
**CESSNA**

WINGSPAN 10" LENGTH 7"

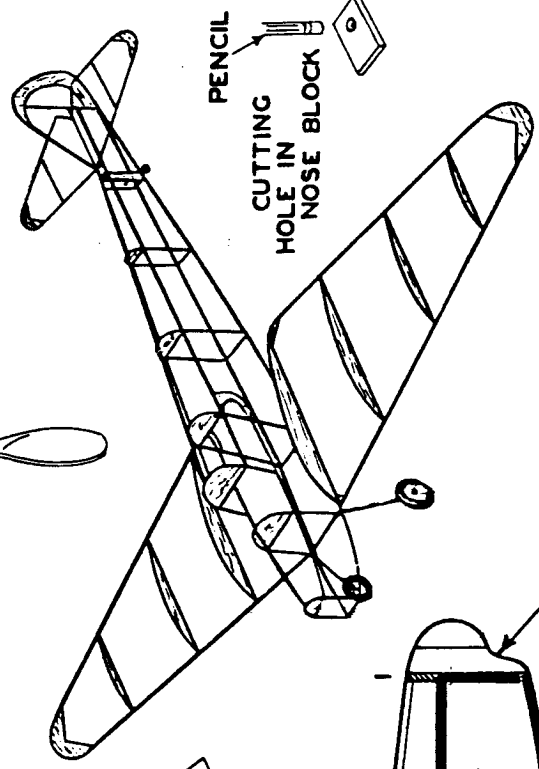
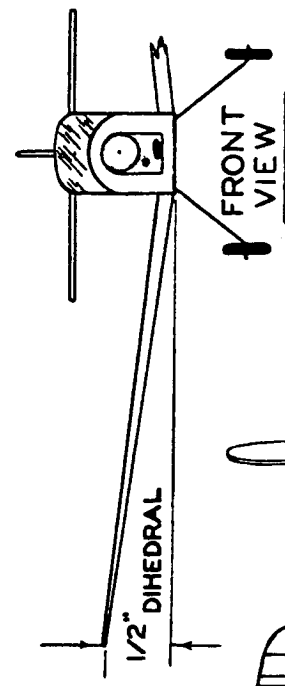
DRAWN BY *Walter P. Freeman* KIT NO. W 5



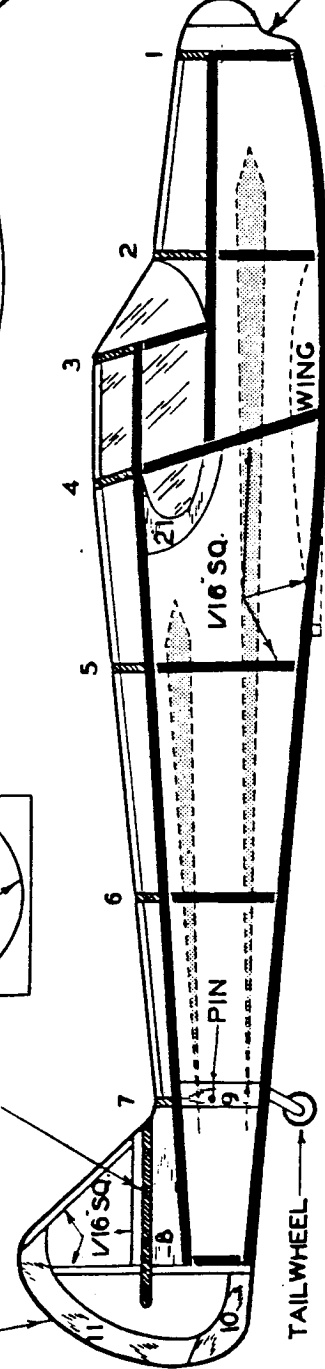
CUT LICENSE NUMBERS FROM PLAN



GLUE STRIPES TO FUSELAGE

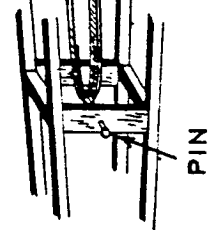


GLUE AIR VENTS TO NOSE BLOCK



SIDE VIEW

PUT RUBBER IN BEFORE COVERING MODEL



GLUE LANDING GEAR FIRMLY TO FUSELAGE

DROP OF GLUE KEEPS WHEEL ON AXLE

RYAN SC

WING SPAN 10" LENGTH 7"  
DRAWN BY [Signature] KIT NO. W 6