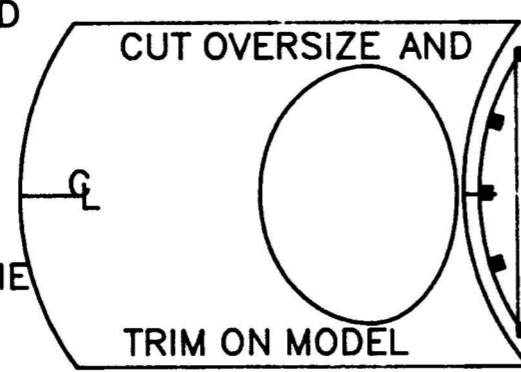
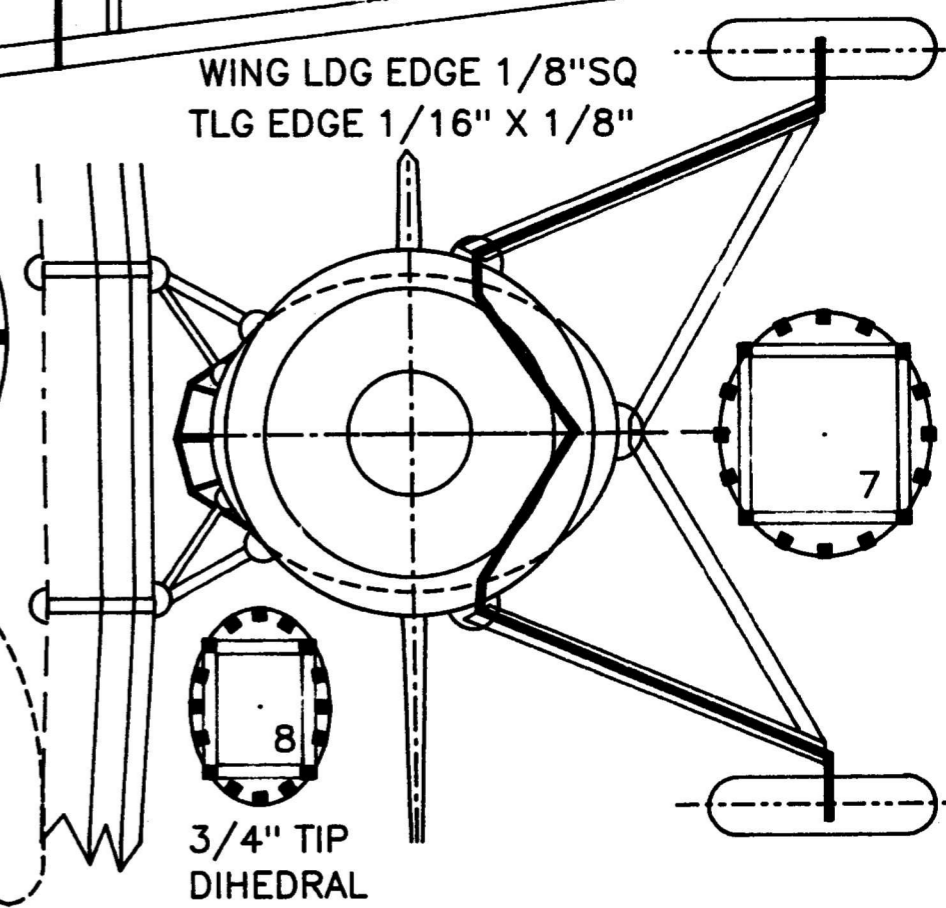
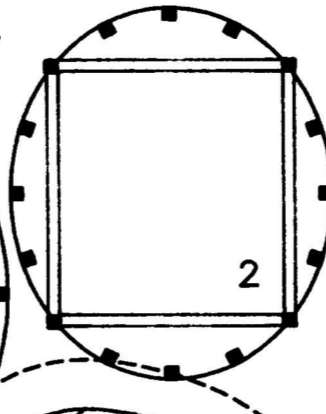
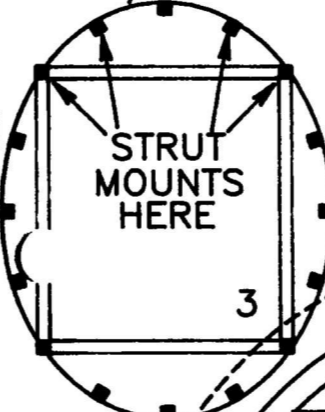
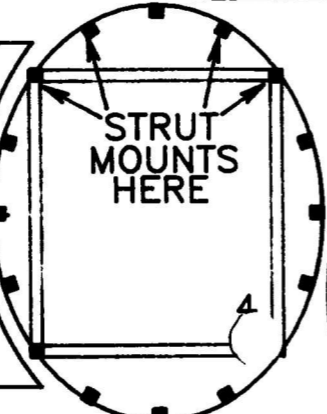


FORMERS AND STRINGERS
 ARE 1/16" BOX FRAME
 LONGERONS ARE SANDED
 TO FORM STRINGERS
 AFTER FORMERS ARE
 ADDED TO BASIC FRAME

SEE REFERENCE
 FOR COLOR SCHEME

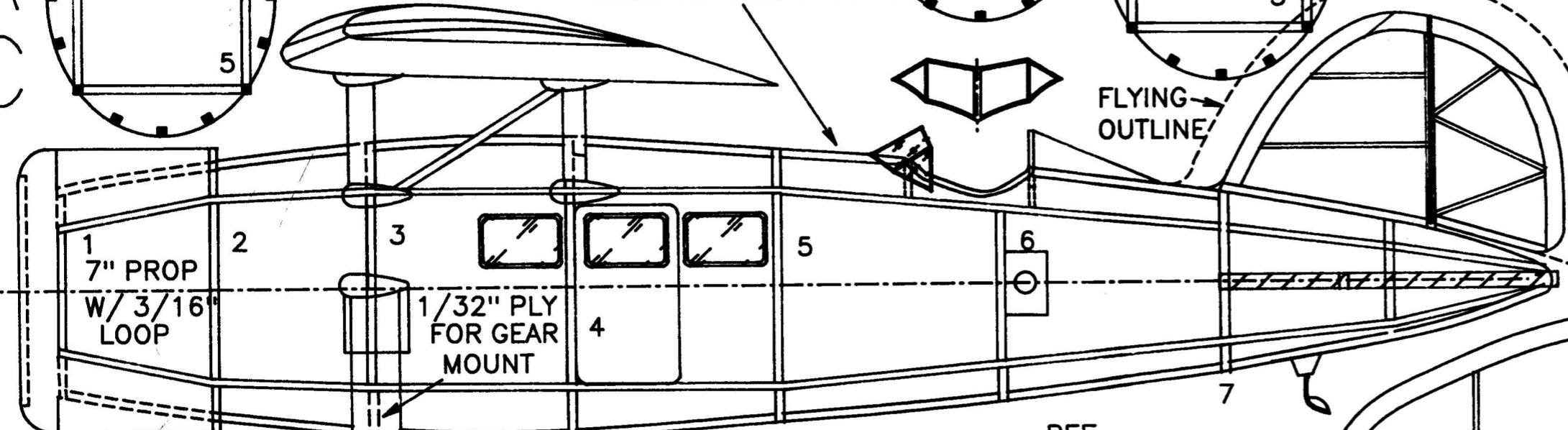


SPARS 1/16" SQ.
 RIBS 1/16" SHT.



F
 A
 C

FLYING
 OUTLINE



DOWN &
 RIGHT
 THRUST

Lockheed
 Air Express
 DESIGN BASED ON
 RAY CHEVEDDEN'S
 COMET KIT OF A VEGA
 DEC. 15. 1934

REF.
 Revolution In The Sky
 by Allen
 Ven Wilson
 for Express Dwg.
 M.A.N.
 Air Age Publishing

