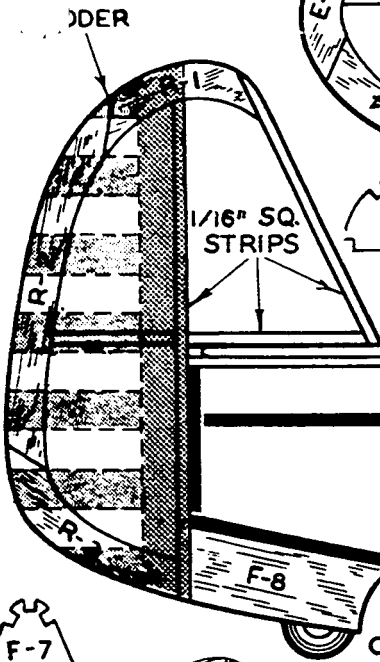
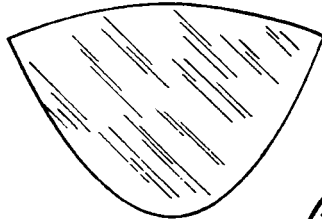
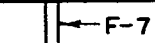


REAR WINDSHIELD



STABILIZER

PUT RUBBER IN BEFORE COVERING

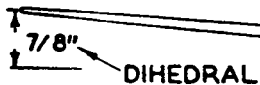


SPLICE

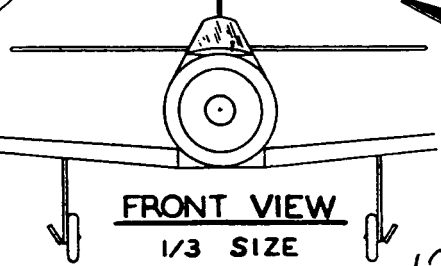
GLUE 3-1/16" SQ TOGETHER



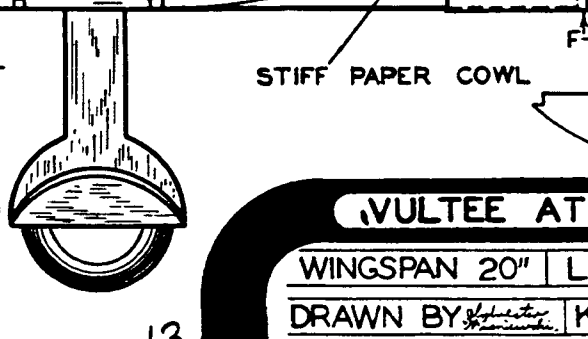
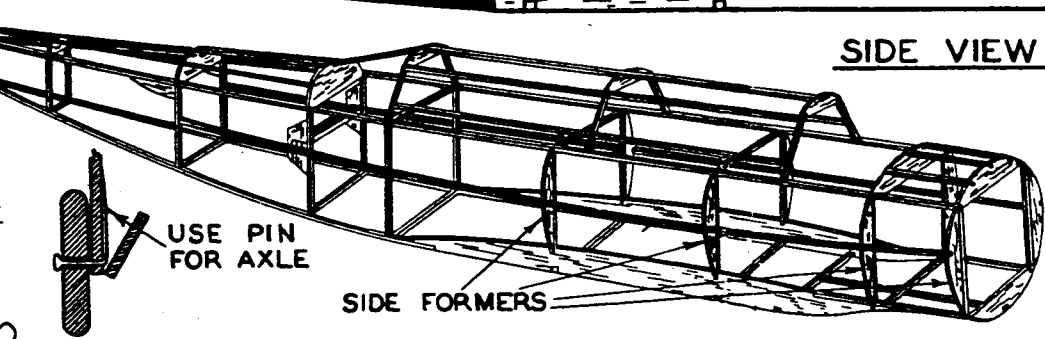
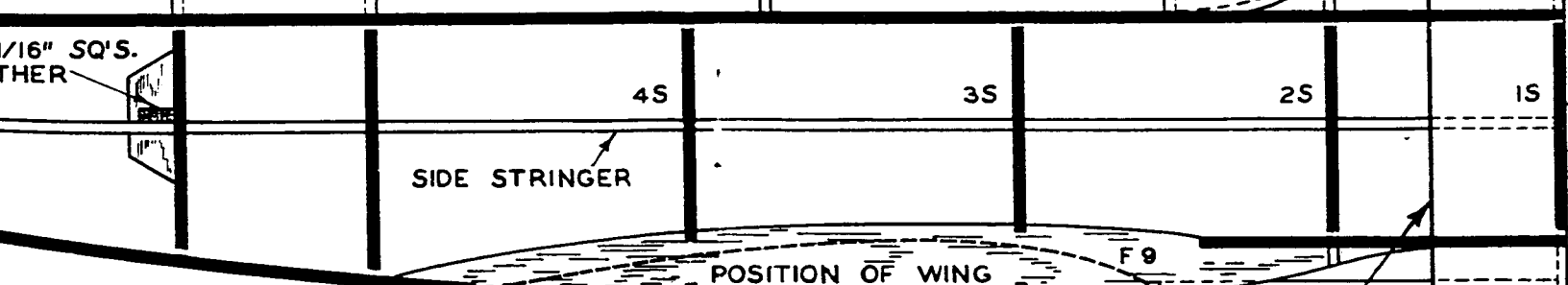
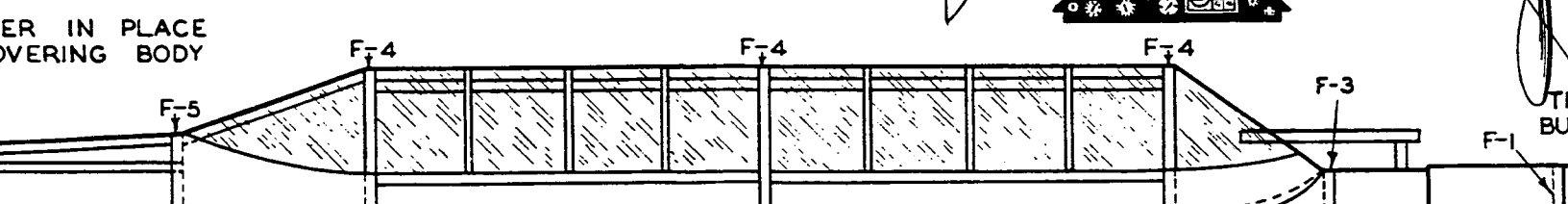
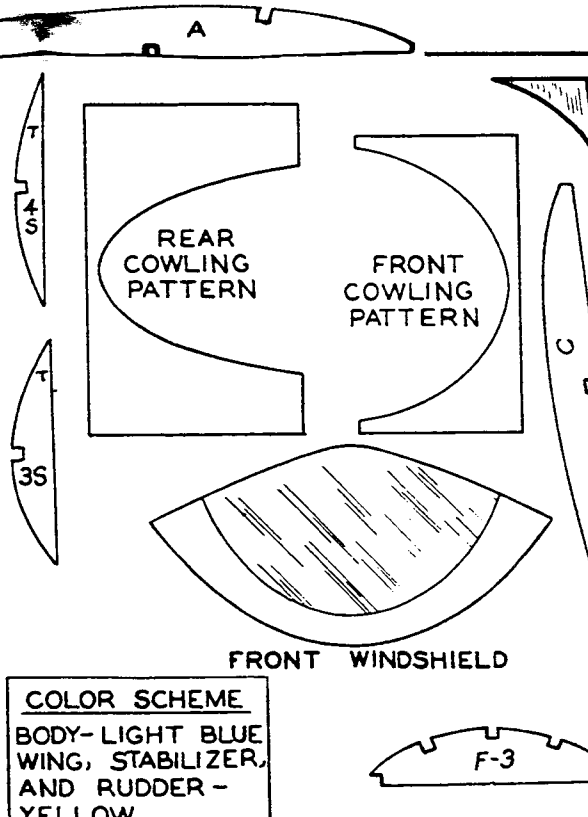
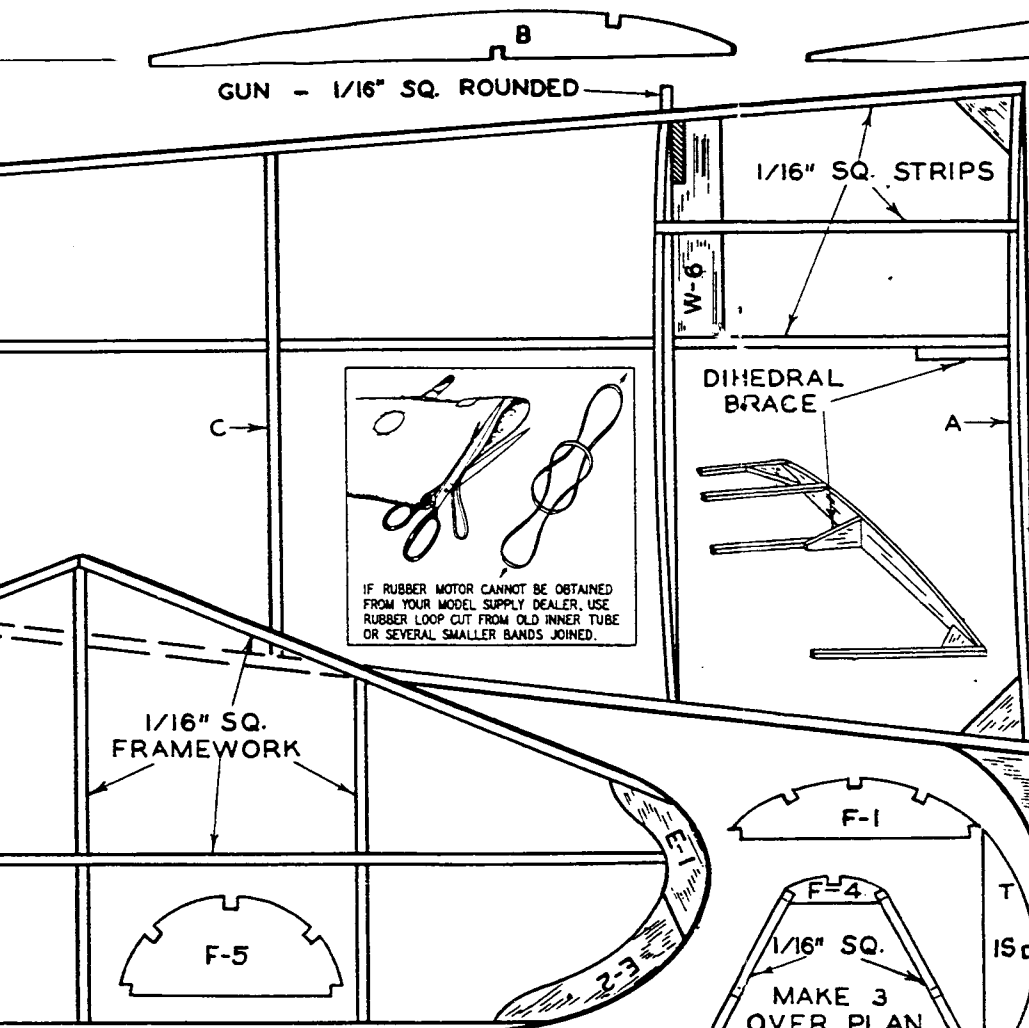
CROSS BRACES FOR BOTTOM OF FUSELAGE CUT TO SAME SIZE AS TOP FORMER



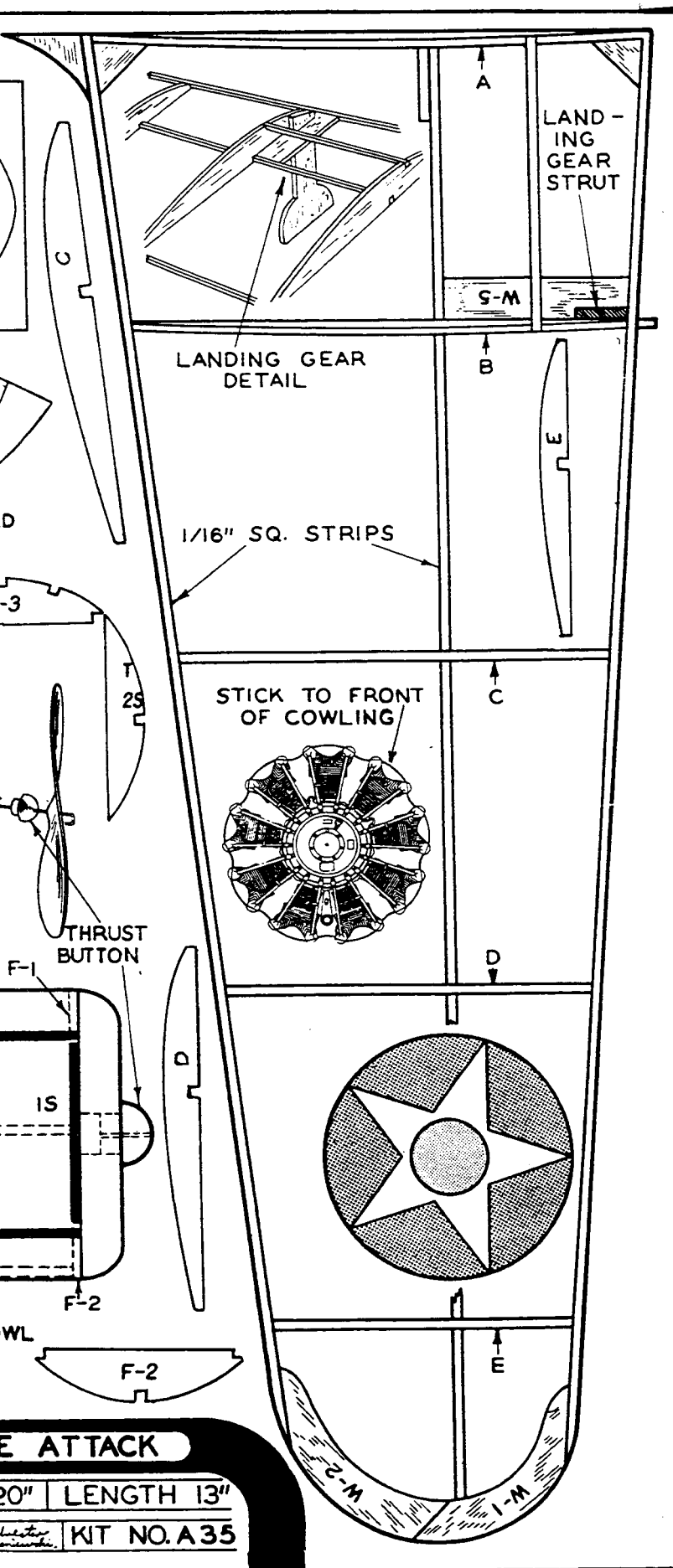
DIHEDRAL



FRONT VIEW
1/3 SIZE



VULTEE AT
WINGSPAN 20" L
DRAWN BY *[Signature]* K



E ATTACK

20" LENGTH 13"

KIT NO. A35