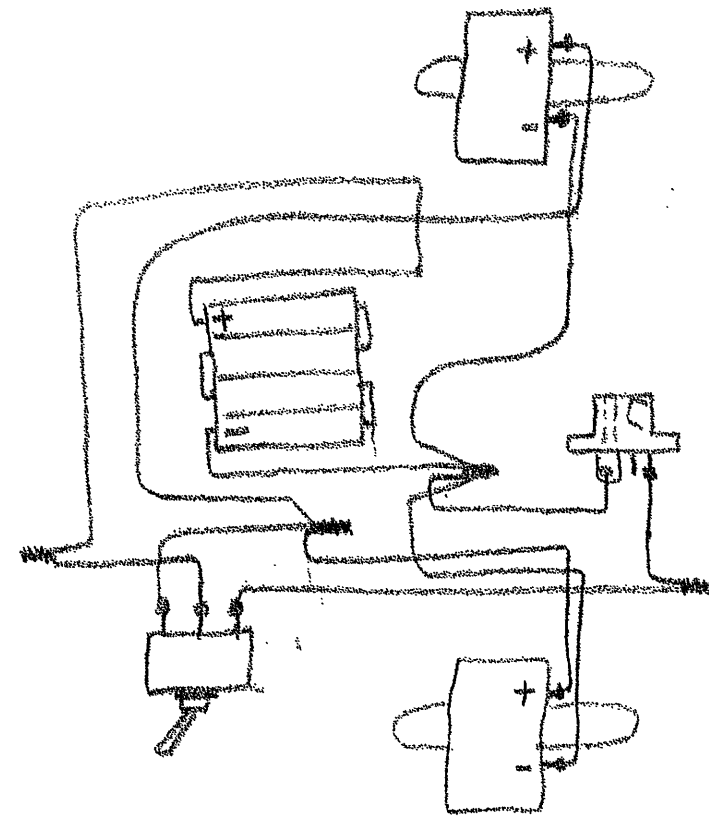
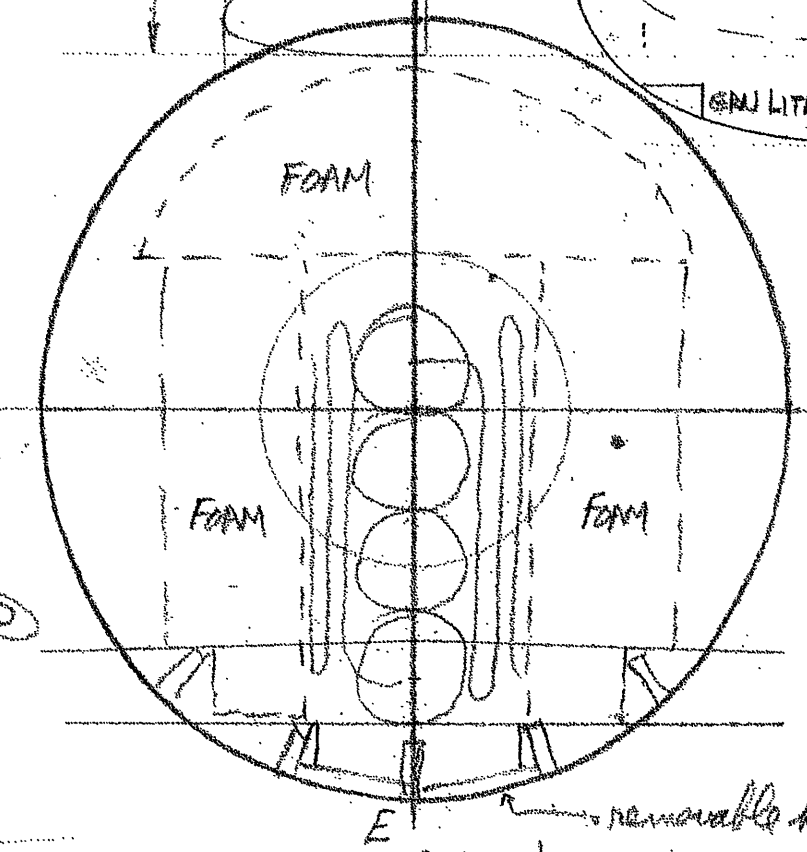
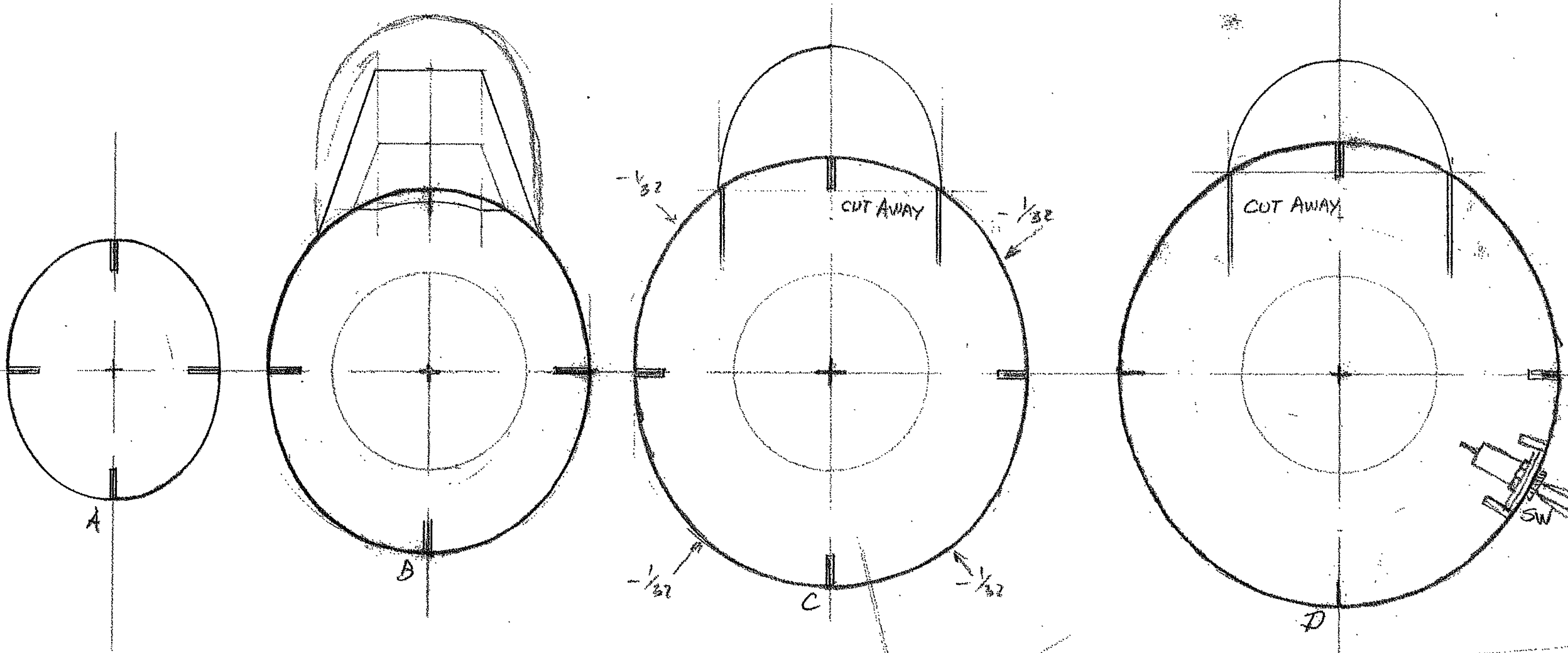
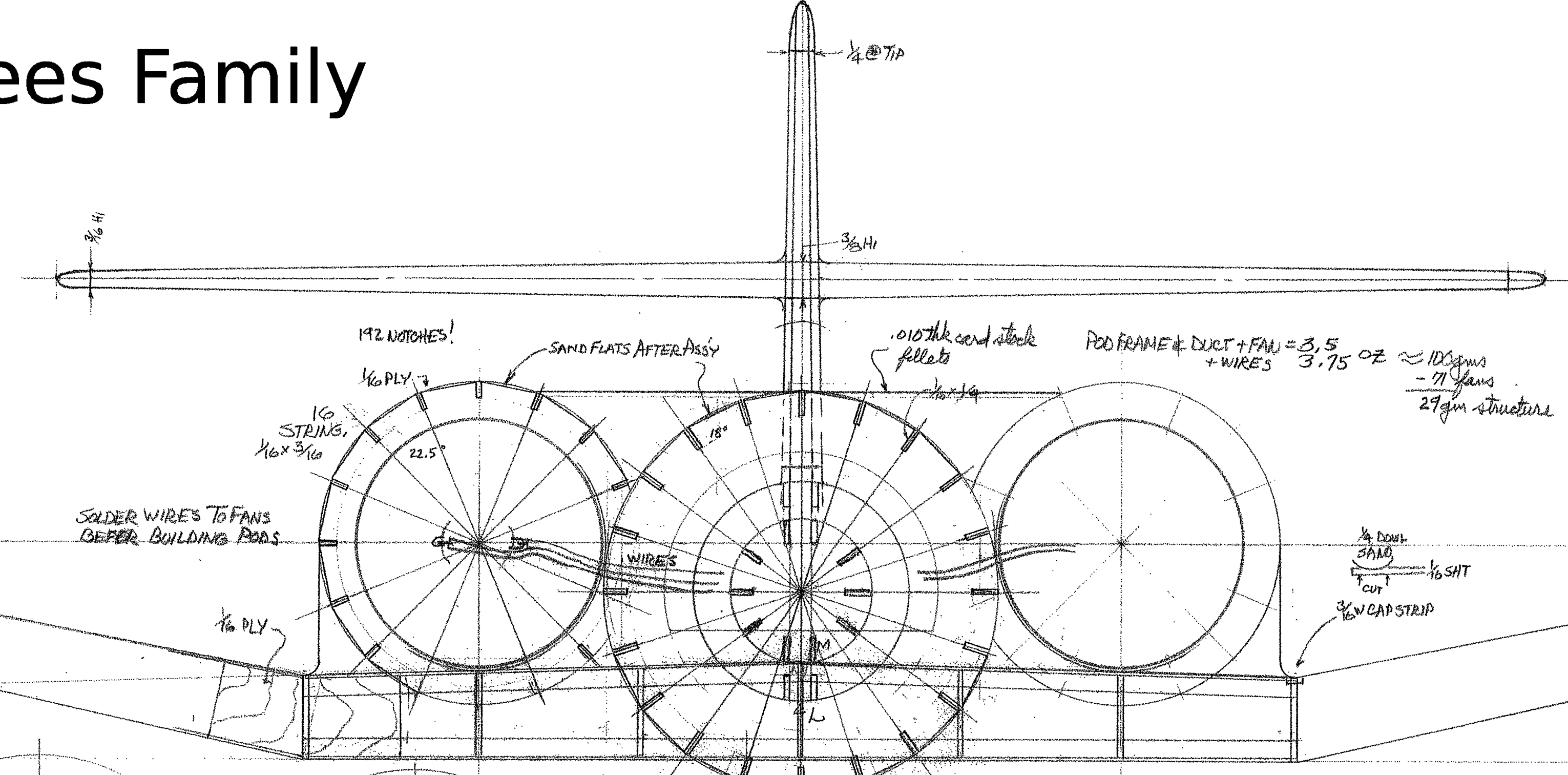


This free plan courtesy of the Rees Family

wire = 9 gm  
 2 fans 30W = 142  
 4x600 NiCds = 88gms  
 Jack switch = 8.4gms  
 total power sys [2.47.4] → 8.75oz

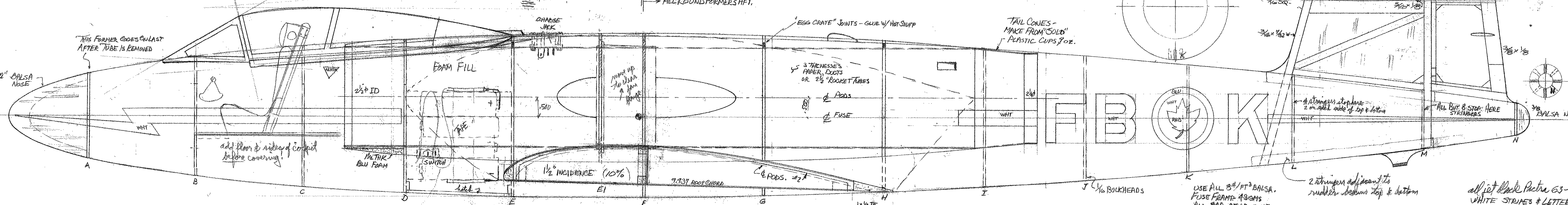


1. Solder a length of wire on each component, heat shrink tubing
2. Install in plane. Glue motor to wings & fuse.
3. Twist ends of wires & solder. Cover w/ heat shrink.



BUILD FUSE ON 1/2" OD MAILING TUBE OR XMAS WRAPPING TUBE

ALL ROUND FORMERS AFT.



USE ALL 3/4" FT<sup>3</sup> Balsa. FUSE FRAME 48GMS ALL BAP AF-02 BLUE

USE 1/8" MAIL TUBE - CUT ALL NOTCHES FIRST SLIDE FORMERS ON - MARK STRINGERS GLUE CENTER F FIRST

stick in wires so batteries can be slid out bottom

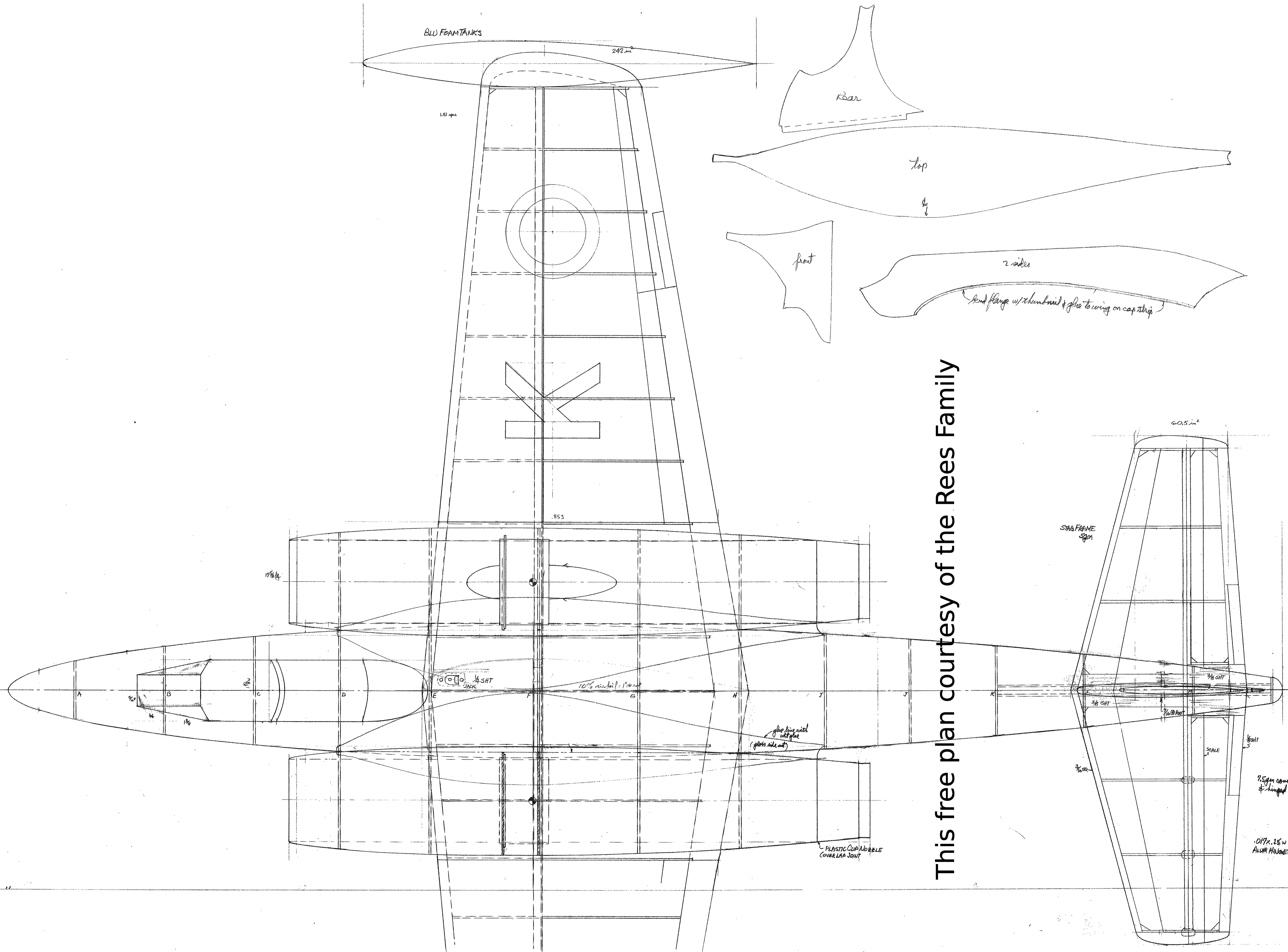
3/654 48GMS 42WERS grain outside

2 stringers adjacent to rudder, bottom top & bottom

all jet black Picta 63-1 WHITE STRIPES & LETTERS

AVRO CANADA CF-100 FOR 2 BLUE FLAME BLASTERS 36" SPAN, 242 SQ IN. I HAVE REES 20 JAN 94 f-5.5





This free plan courtesy of the Rees Family